

Picnic Table

This is a large diy wooden picnic table which is easier to step in than a traditional picnic table. It is made completely of two by fours (89x38)

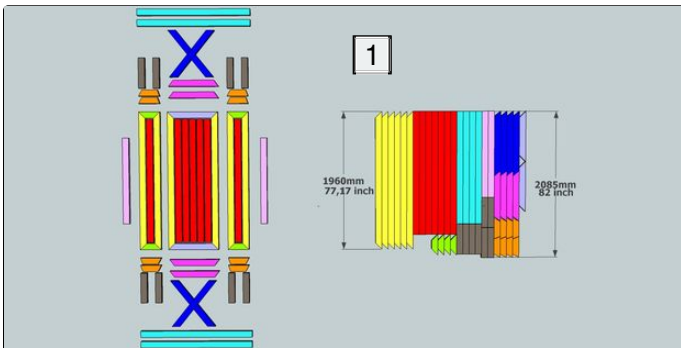


Step 1: Layout - Cutlist

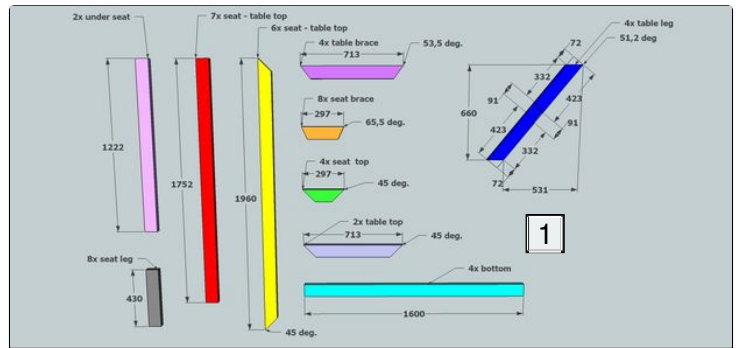
second pic is metric ,third imperial.

If you are going to use a miter saw remember that most miter saw gauges are set up off 90 degrees to the back of the fence! (<http://www.thisiscarpentry.com/2011/07/29/miter-angles-miter-saws/>).

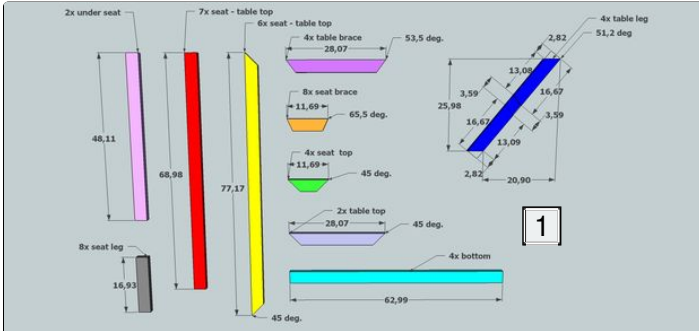
So for 51,2 degrees you have to set your saw to 38,8 .



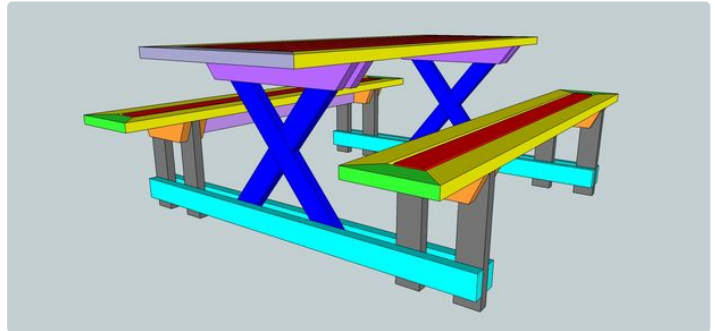
1. total length is about 48 meter



1. metric



1. inches



Step 2: The Two Benches

I used some m8 threaded rods to connect the leg constructions.

In total is have used 24 each 16 cm and have cut them when the table was ready.

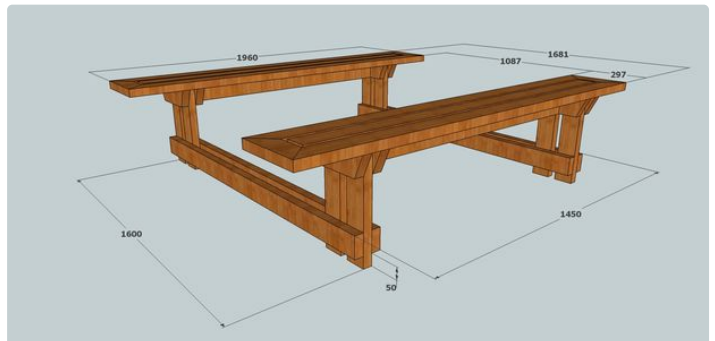
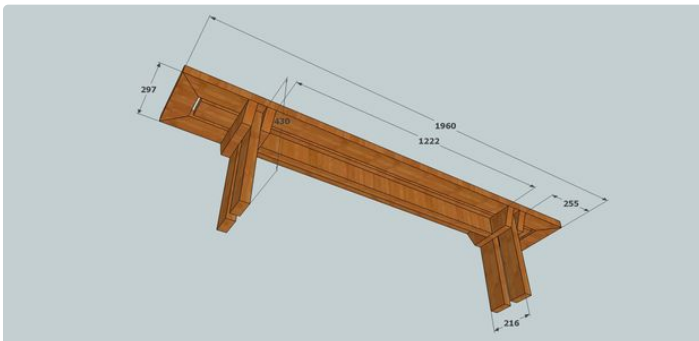
Some coach bolt will even look better.

For the other connections i used wood screws of

80mm.

Click on the pictures for a larger version of the picture.

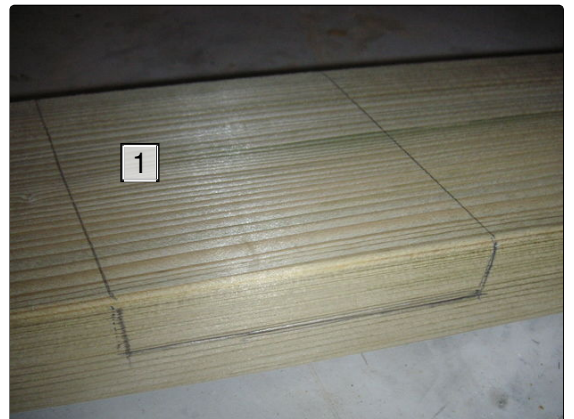
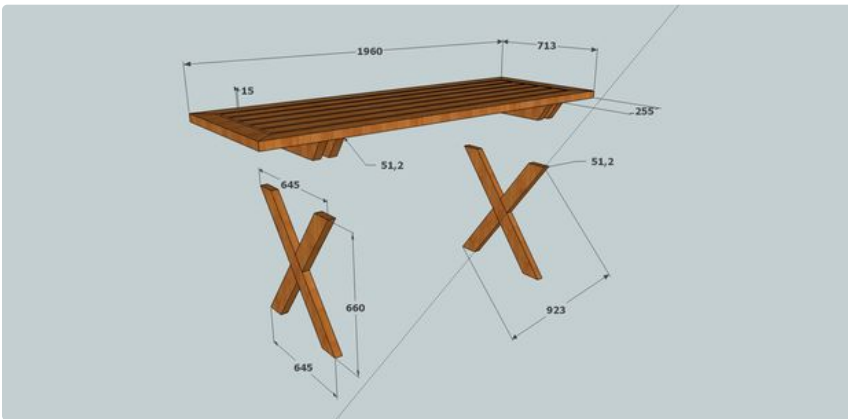
A google [sketchup](#) version can be downloaded [here](#)





Step 3: The Table

For the legs of the table you need to cut out a piece for each leg.



1. piece to be cut out.



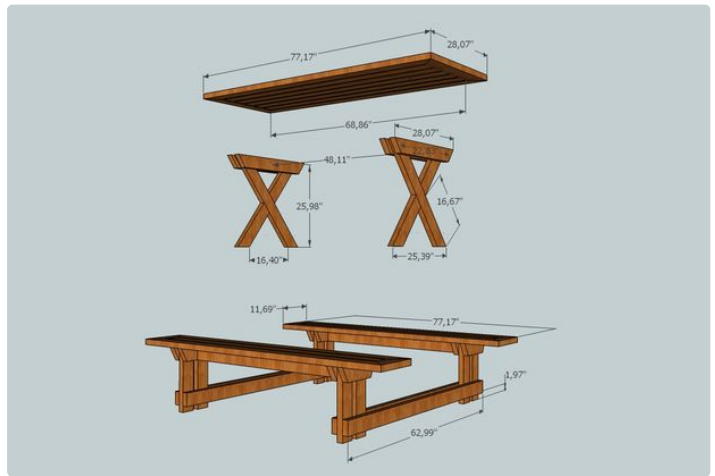
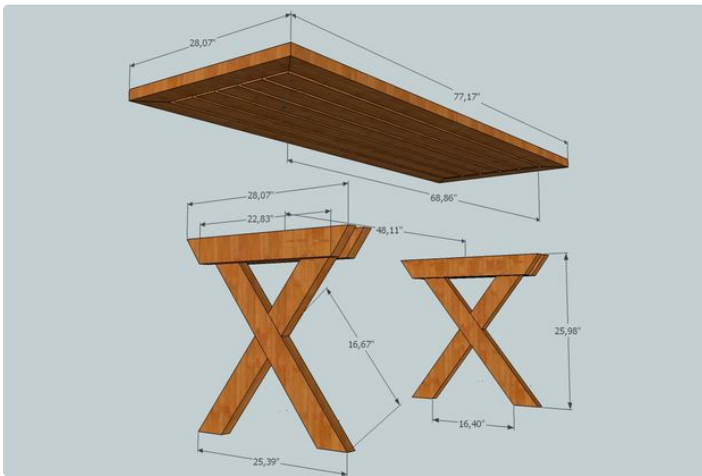
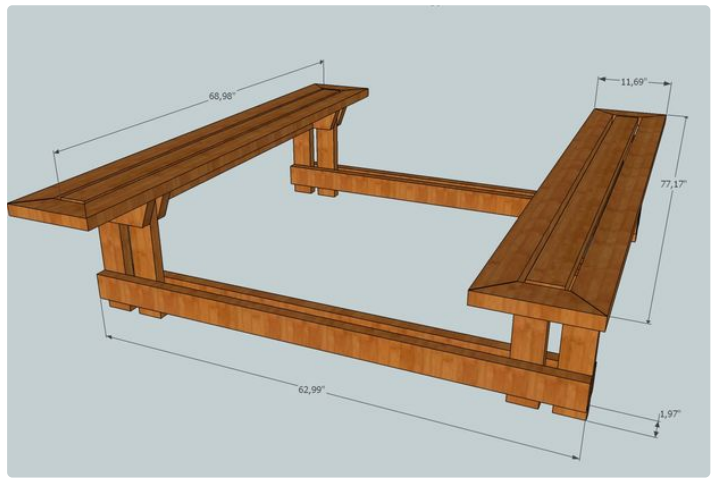
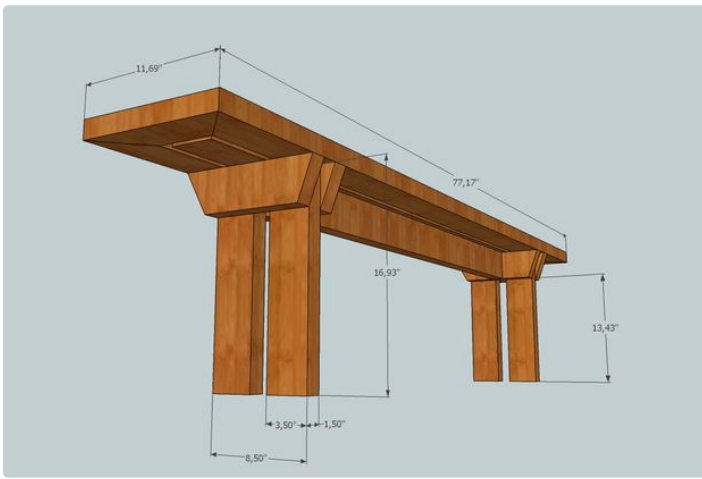
Step 4: Screw It All Together

The legs of the table must not be lower than the connection two by fours .
The horizontal connections are 50mm of the floor so it won't wobble on an uneven surface.

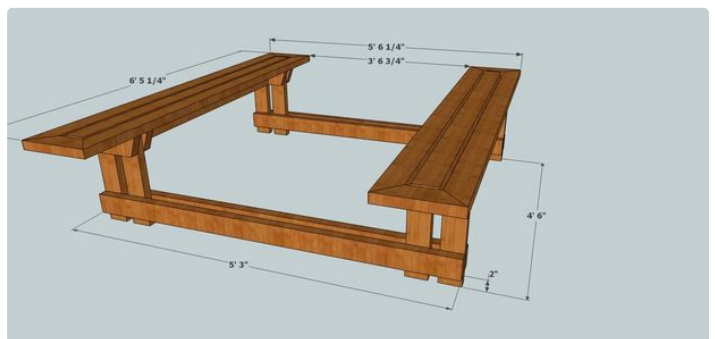
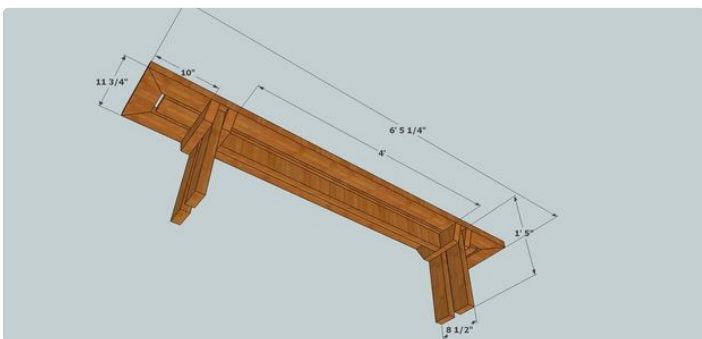


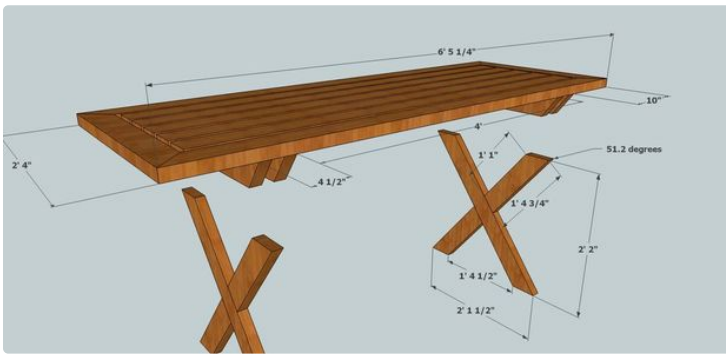
1. keep the underside of the legs of the table flat with the underside of the connection cls.

Step 5: In Inches



Step 6: In Inches (fractions)





Changed the center table and did straight legs for changeable from being connected or not. Also converted to Inches with seats 17 high table 32 high and 78 long. With premium 2x4 and almost all hardware ran about 150 usd.