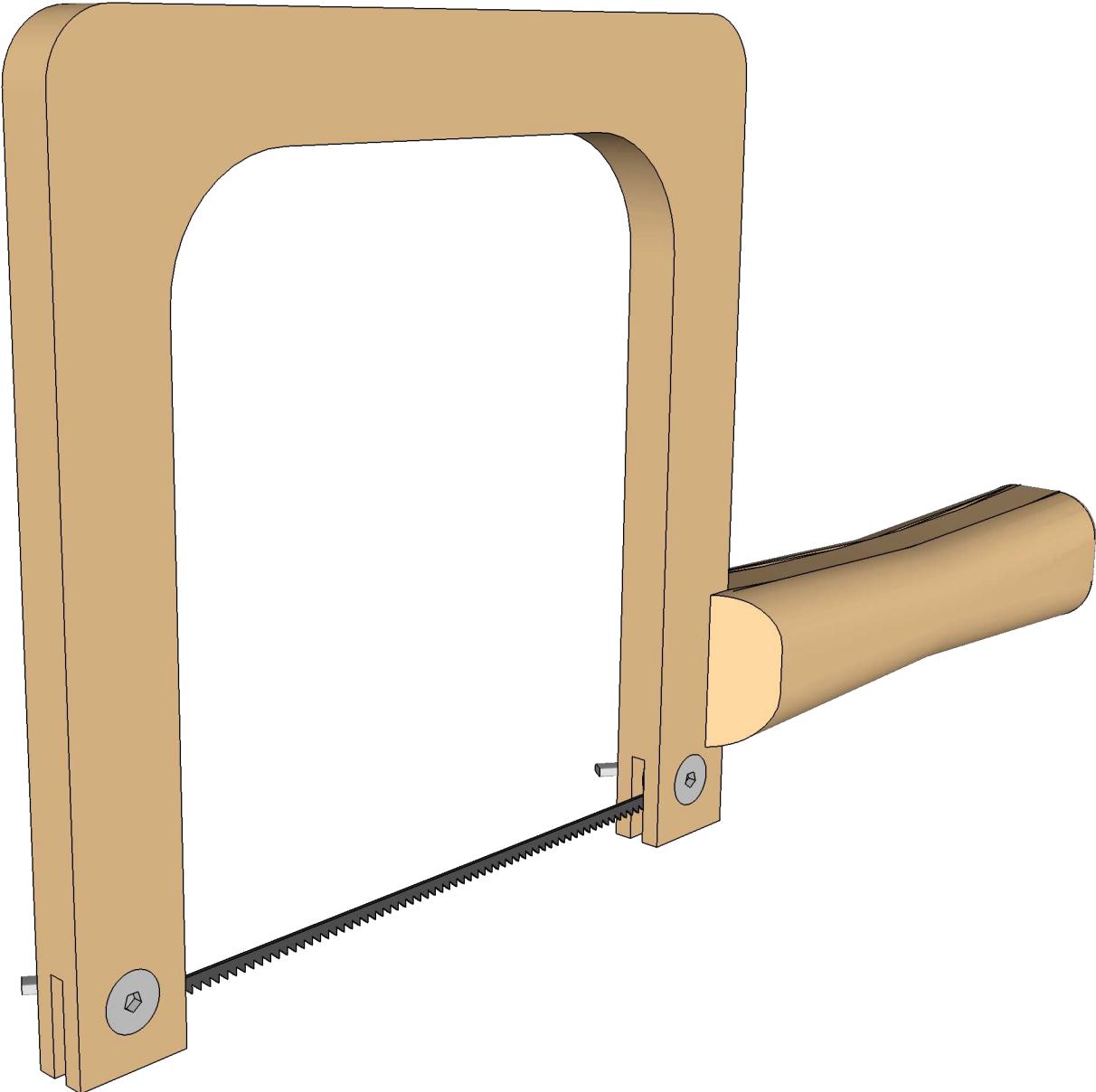
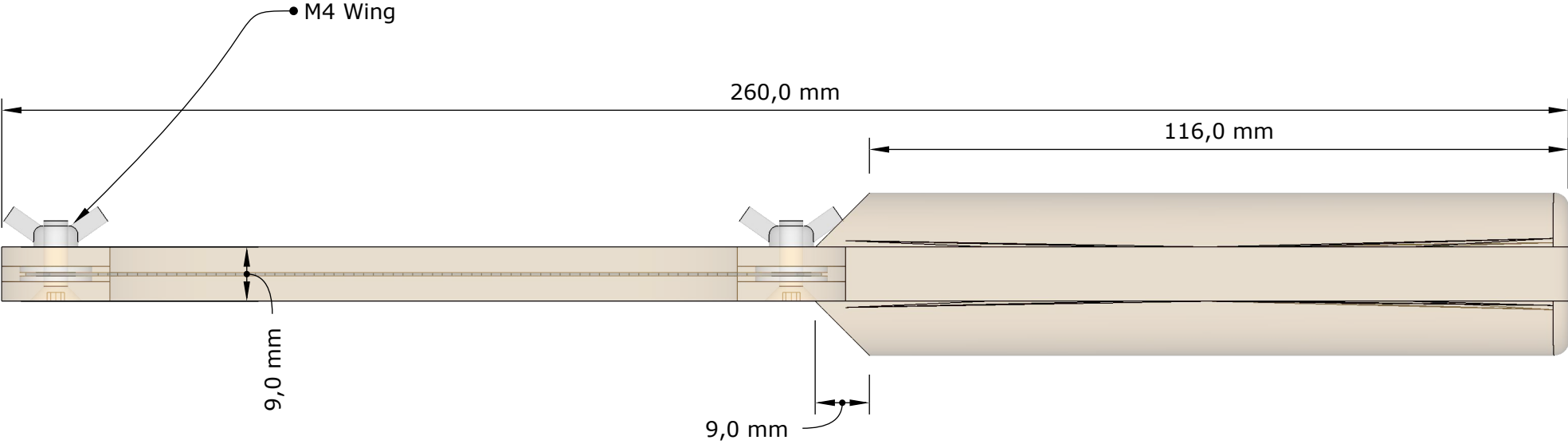


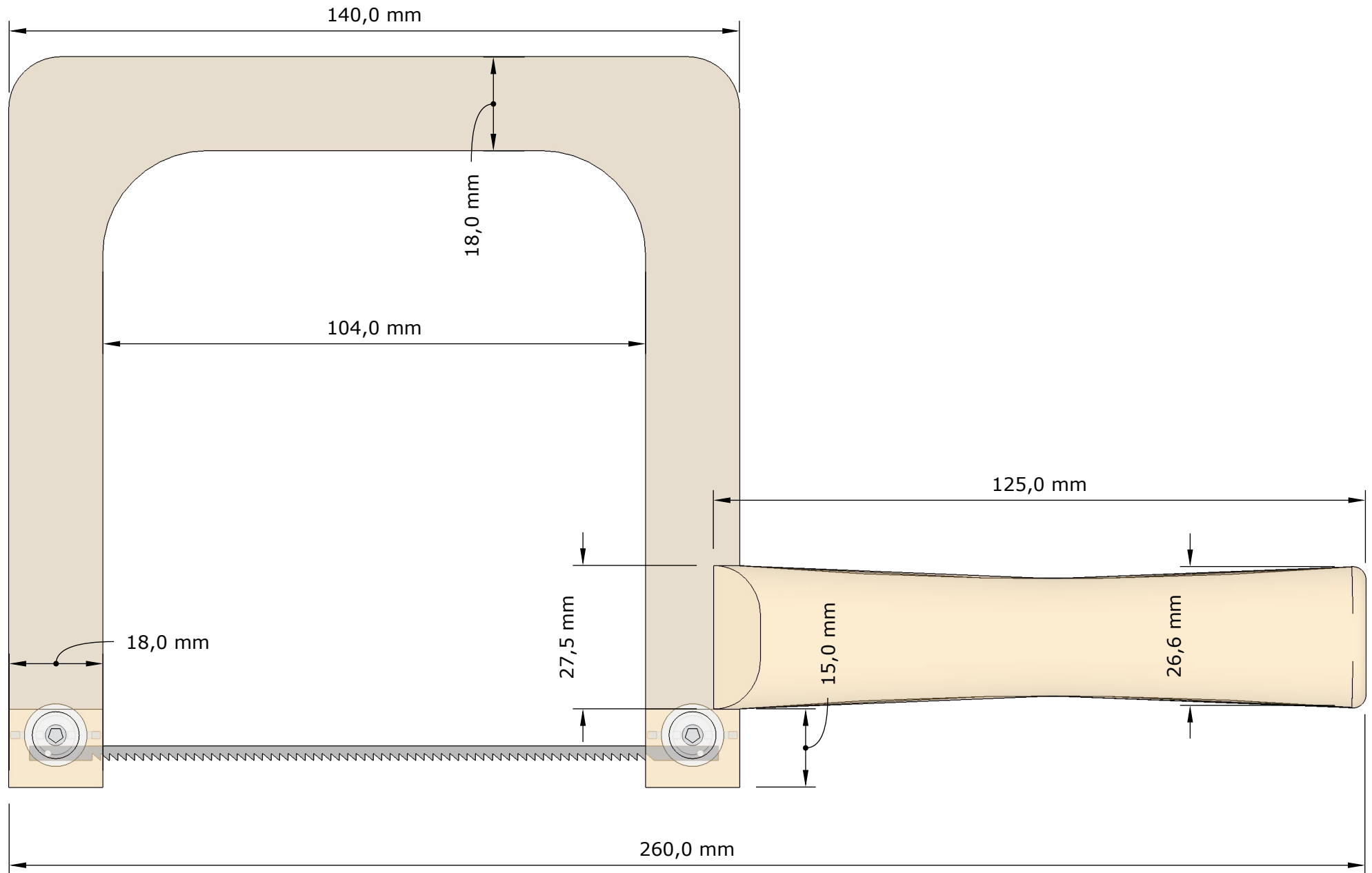
**Coping Saw ISO**



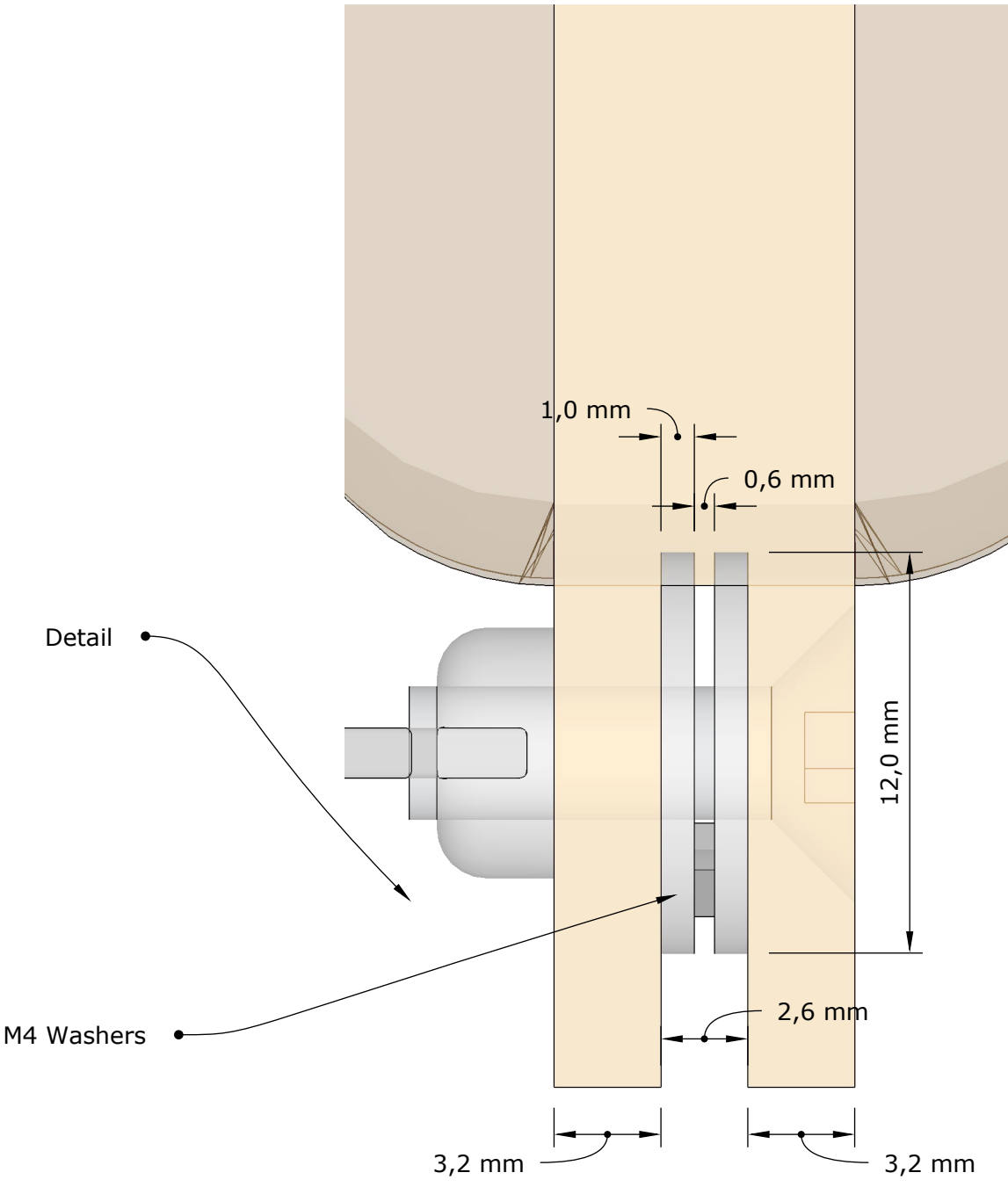
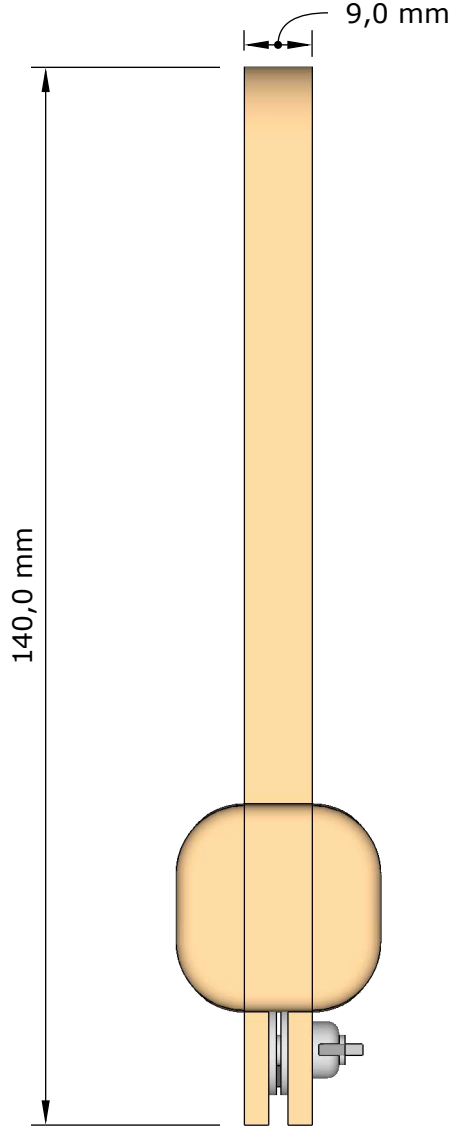
**Coping Saw Top Full Scale X Ray**



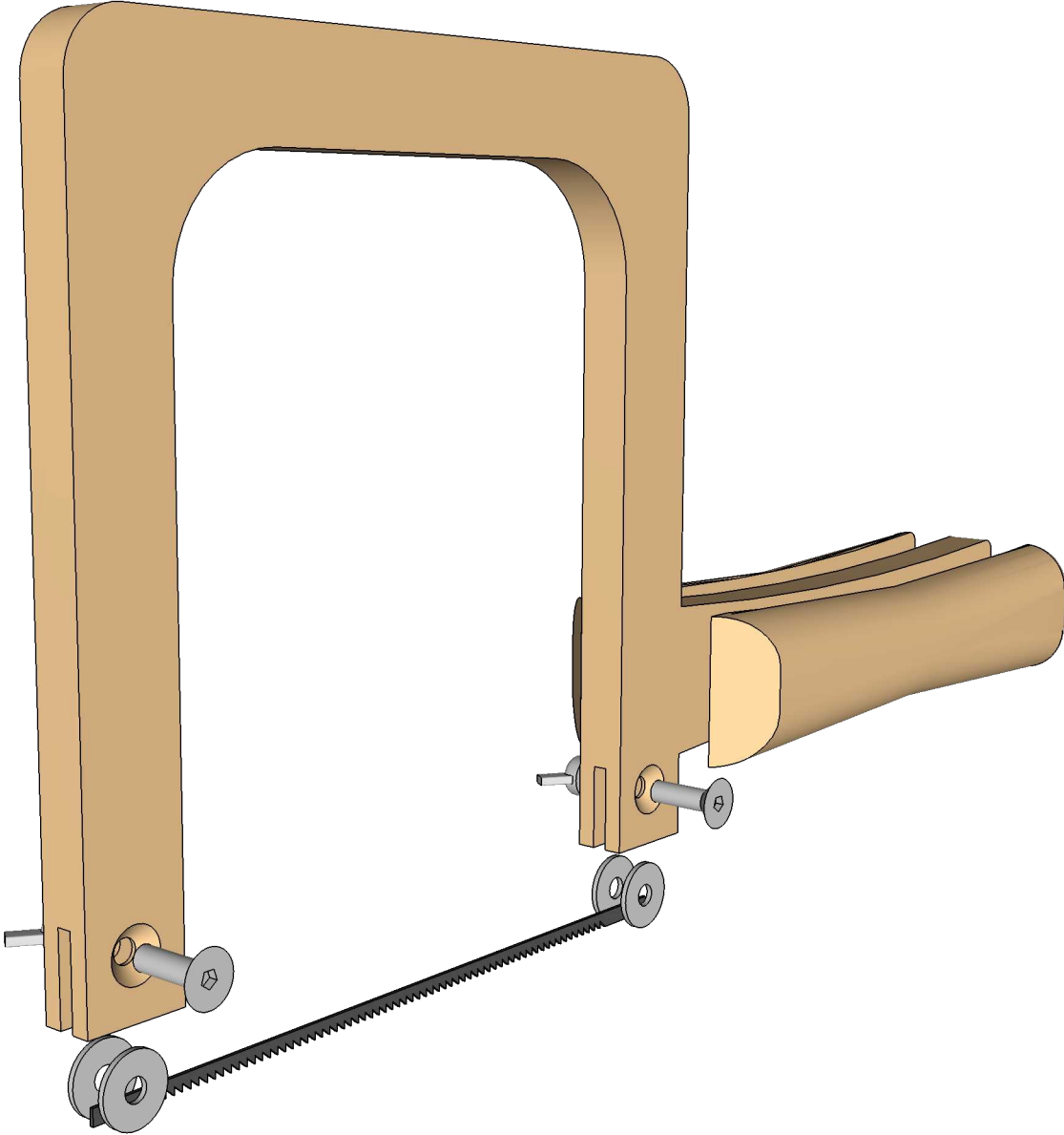
# Coping Saw Front Full Scale



# Coping Saw Right Full Scale & Detail



**Coping Saw ISO Exploded**



# Coping Saw Exploded Detail1

9mm Hard Plywood

M4 Wing

15,0mm

3,2mm

2,6mm

3,2mm

120,0mm

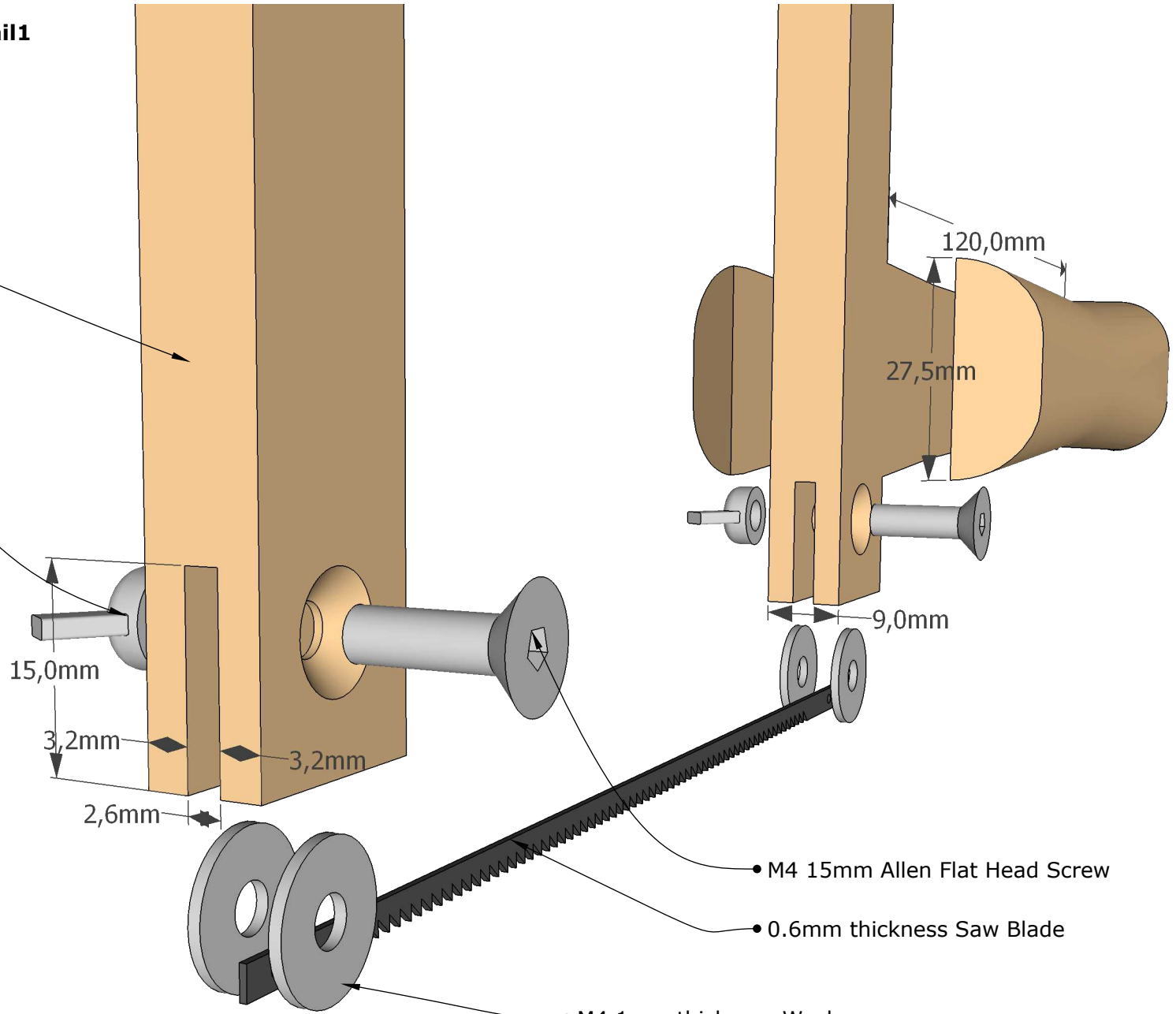
27,5mm

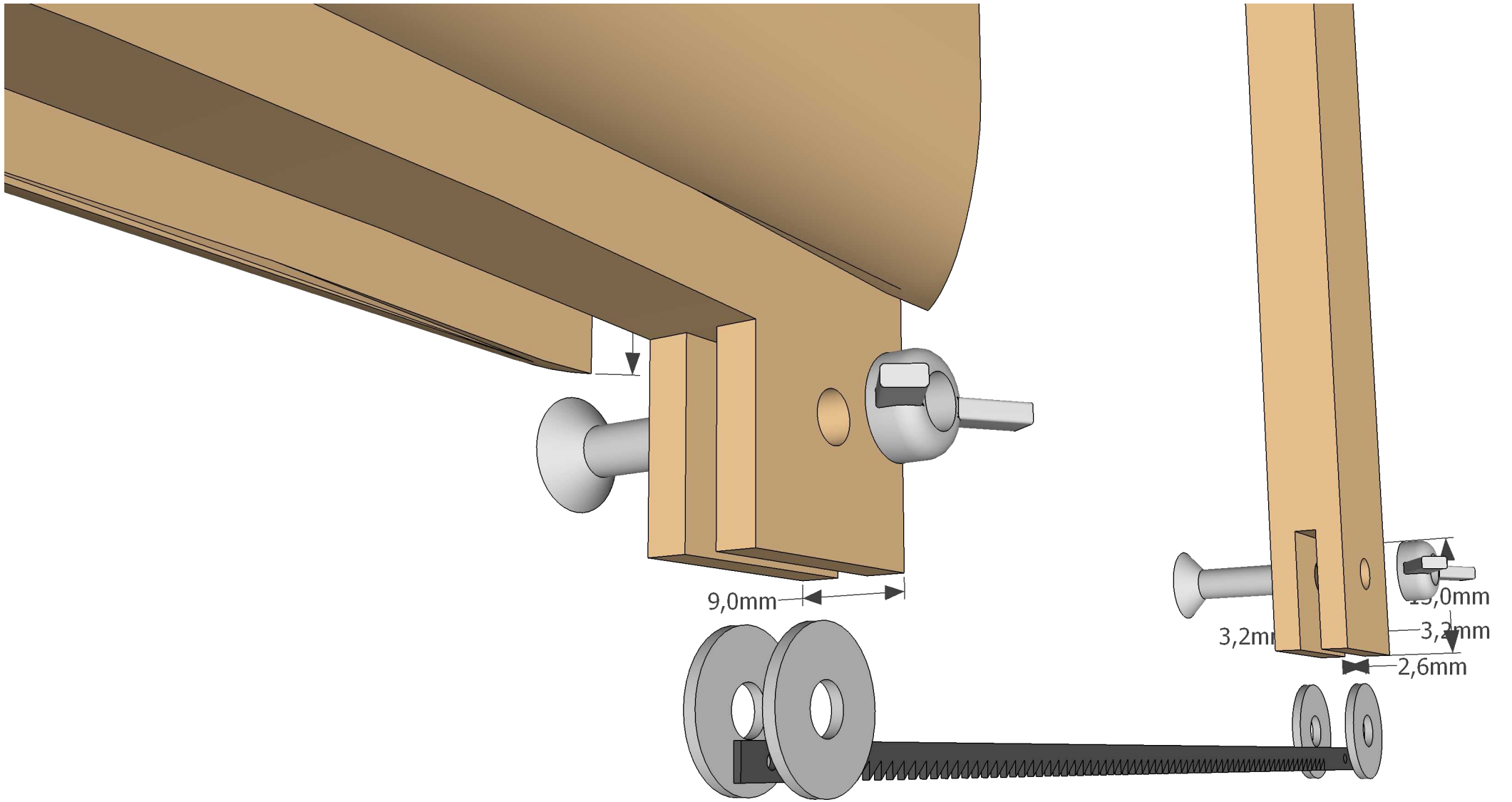
9,0mm

M4 15mm Allen Flat Head Screw

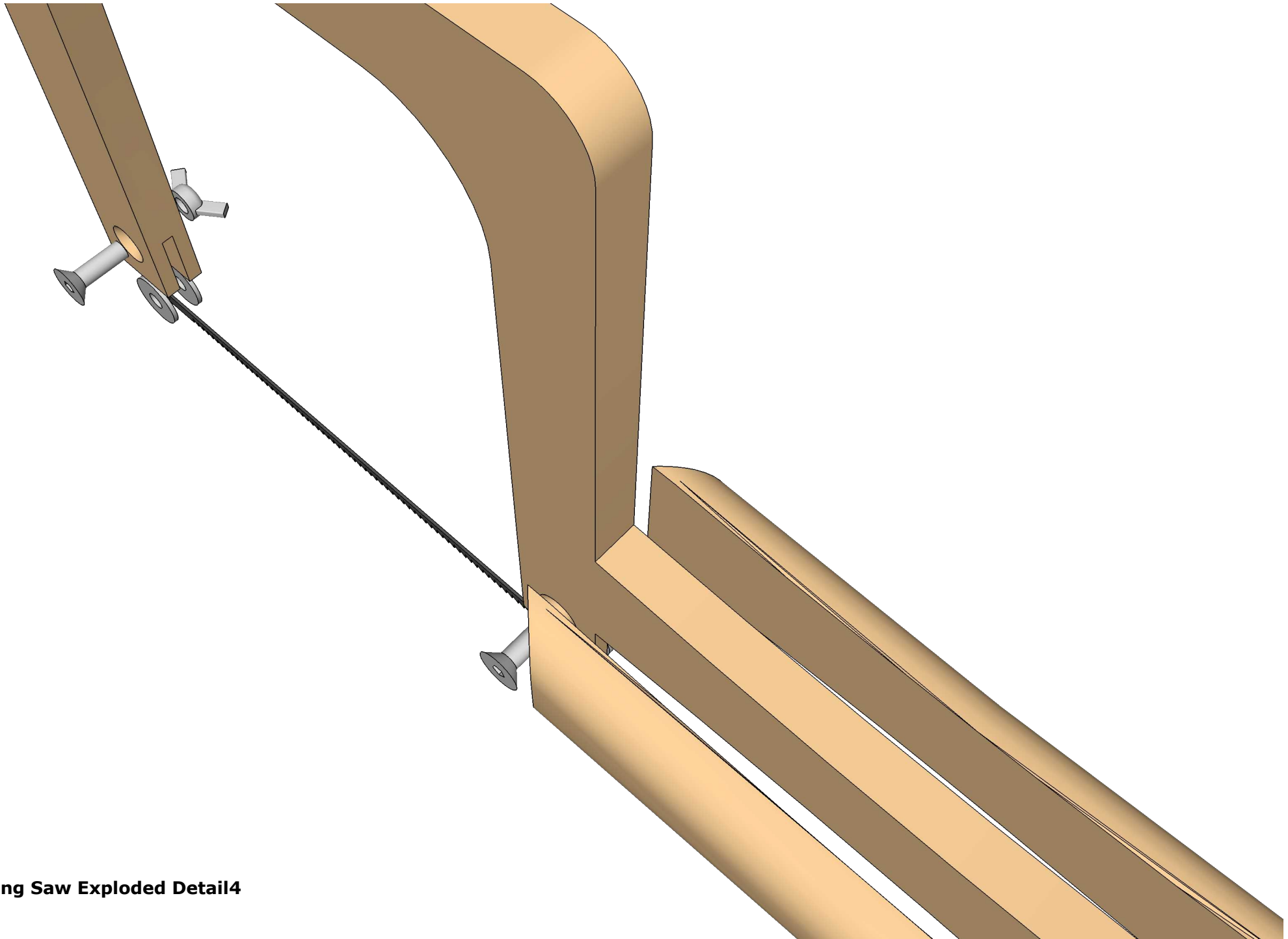
0.6mm thickness Saw Blade

M4 1mm thickness Washer





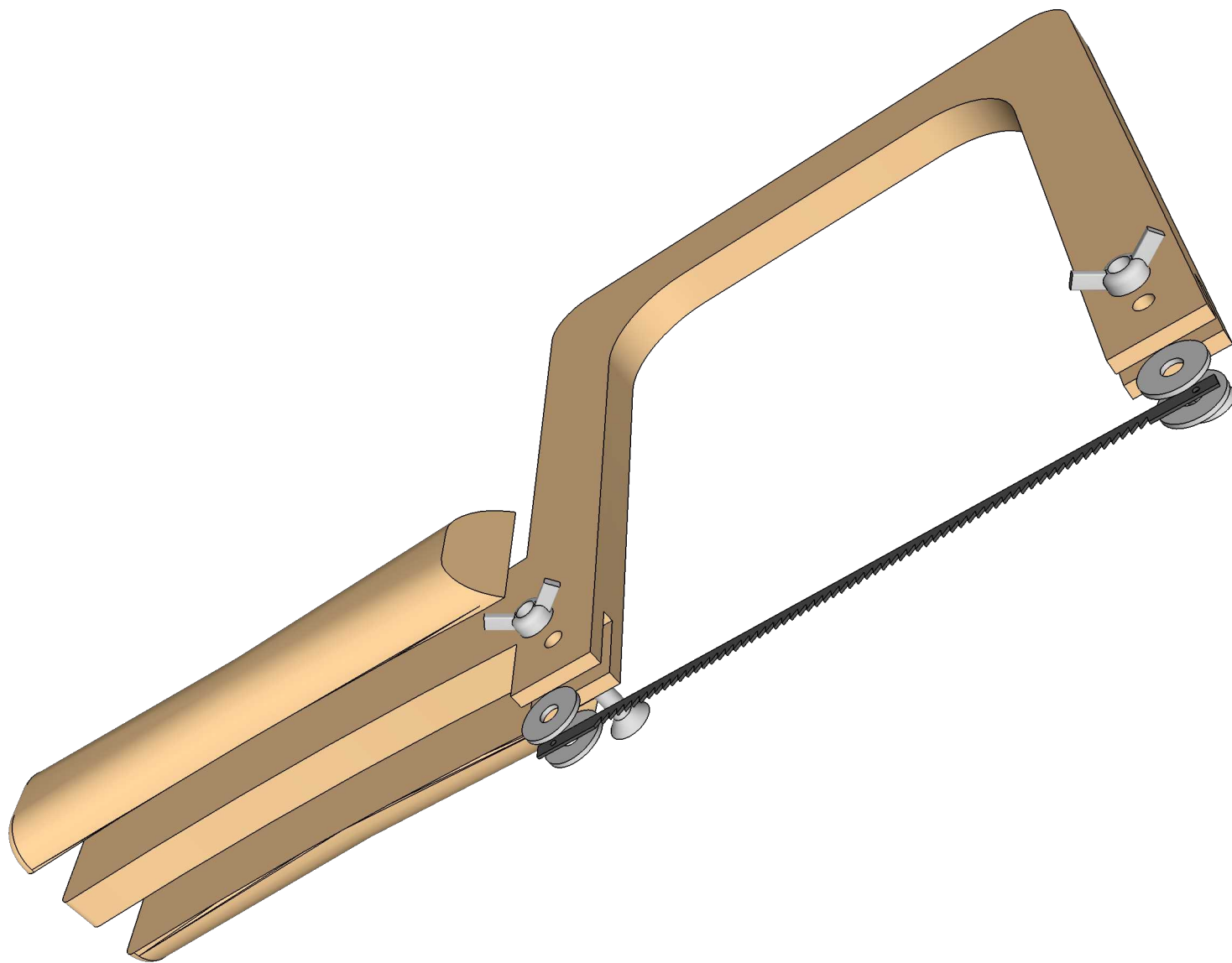
**Coping Saw Exploded Detail2**



**Coping Saw Exploded Detail4**



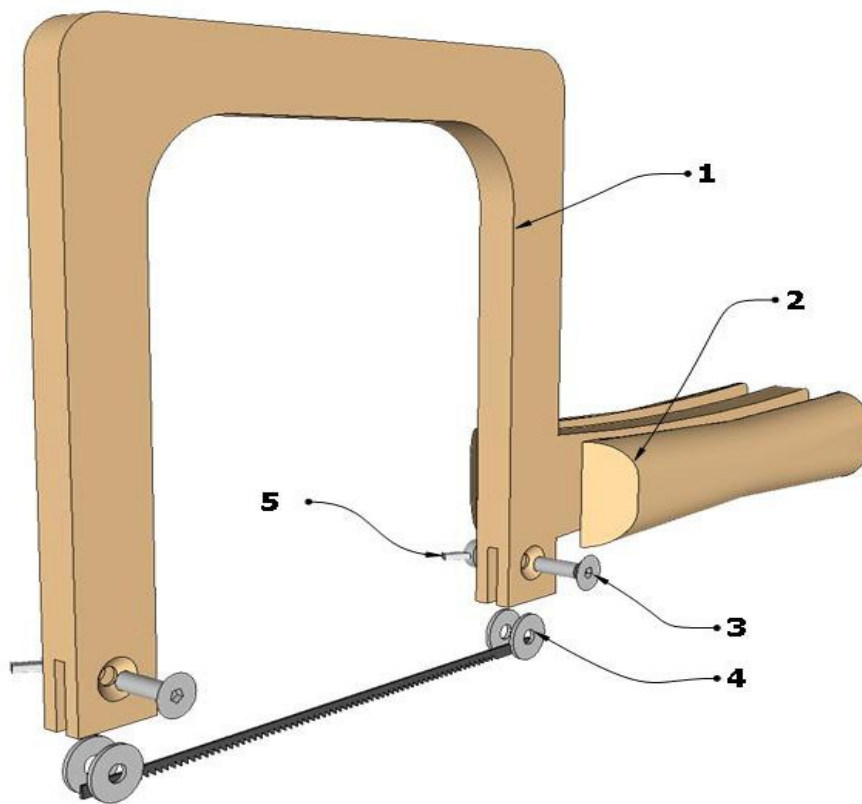
**Coping Saw Exploded Detail5**



# Coping Saw

## Cutting List:

- |    |                  |            |                       |
|----|------------------|------------|-----------------------|
| 1- | 260 x 140 x 9mm  |            | Hard Plywood          |
| 2- | 125 x 27,5 x 9mm | (2 Pieces) | Hard Plywood          |
| 3- | M4 15mm          | (2 Pieces) | Allen Flat Head Screw |
| 4- | M4 Washers       | (4pieces)  |                       |
| 5- | M4 Wing          | (2 Pieces) |                       |



**Printable Template 1 & 2**

