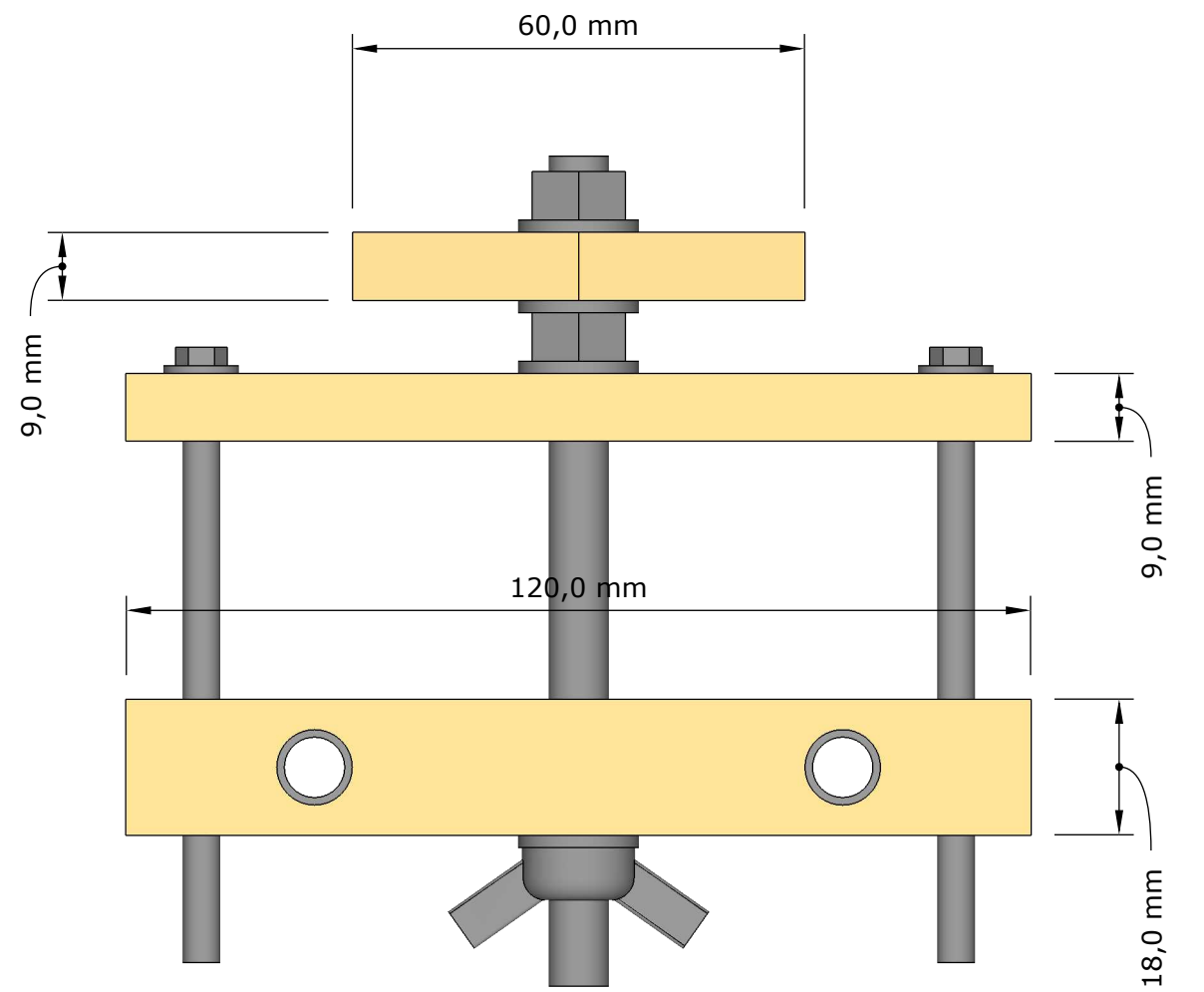
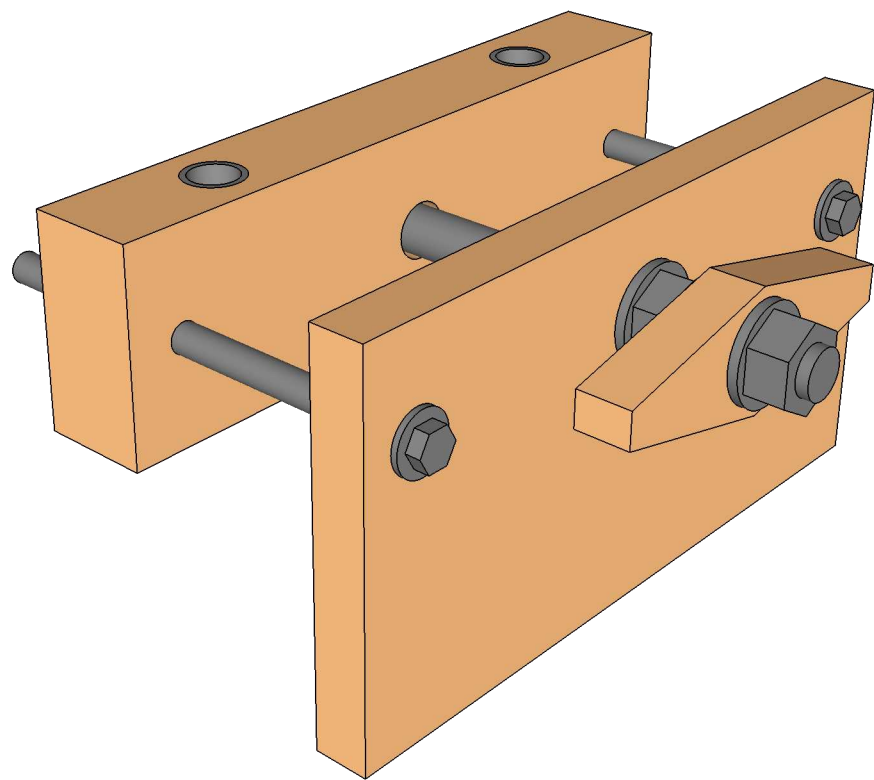
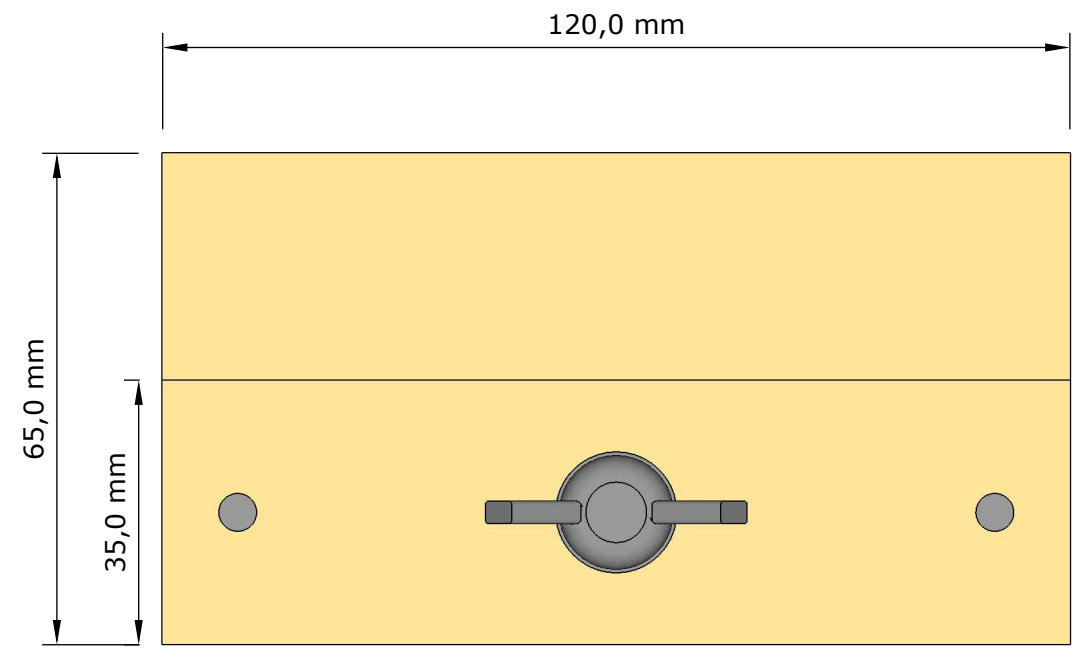
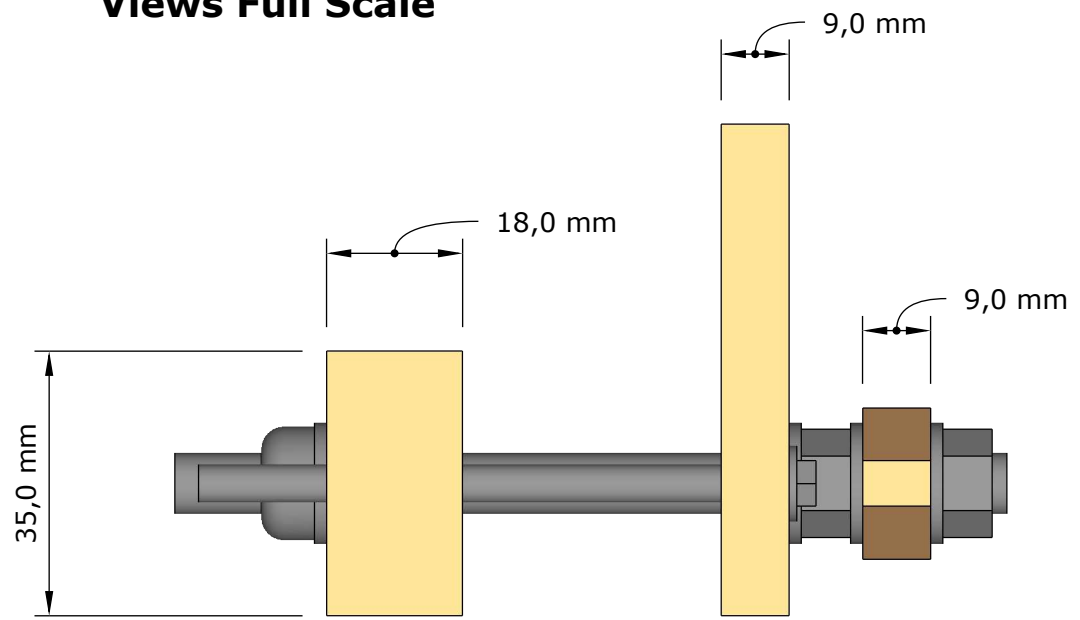
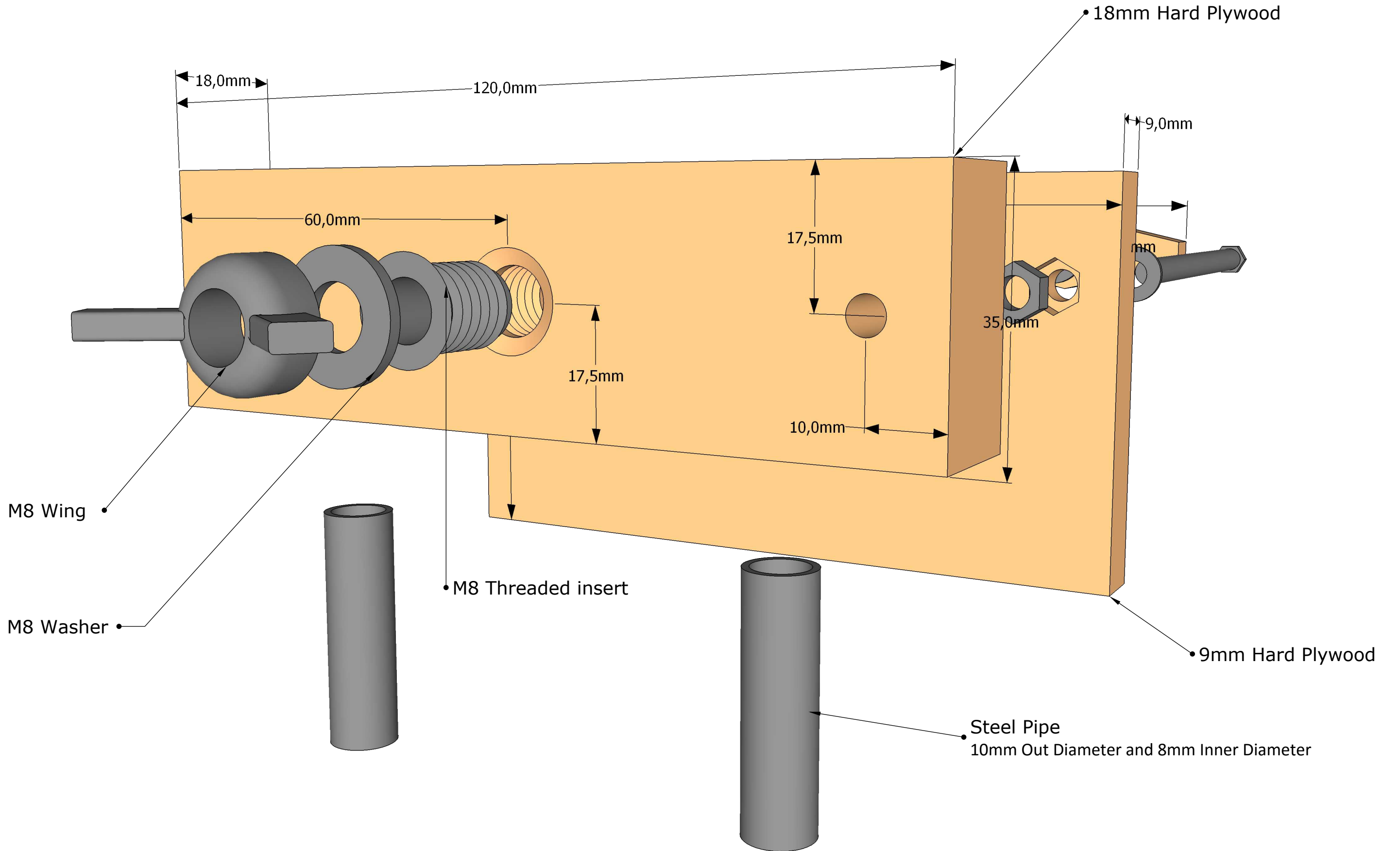


**Views Full Scale**

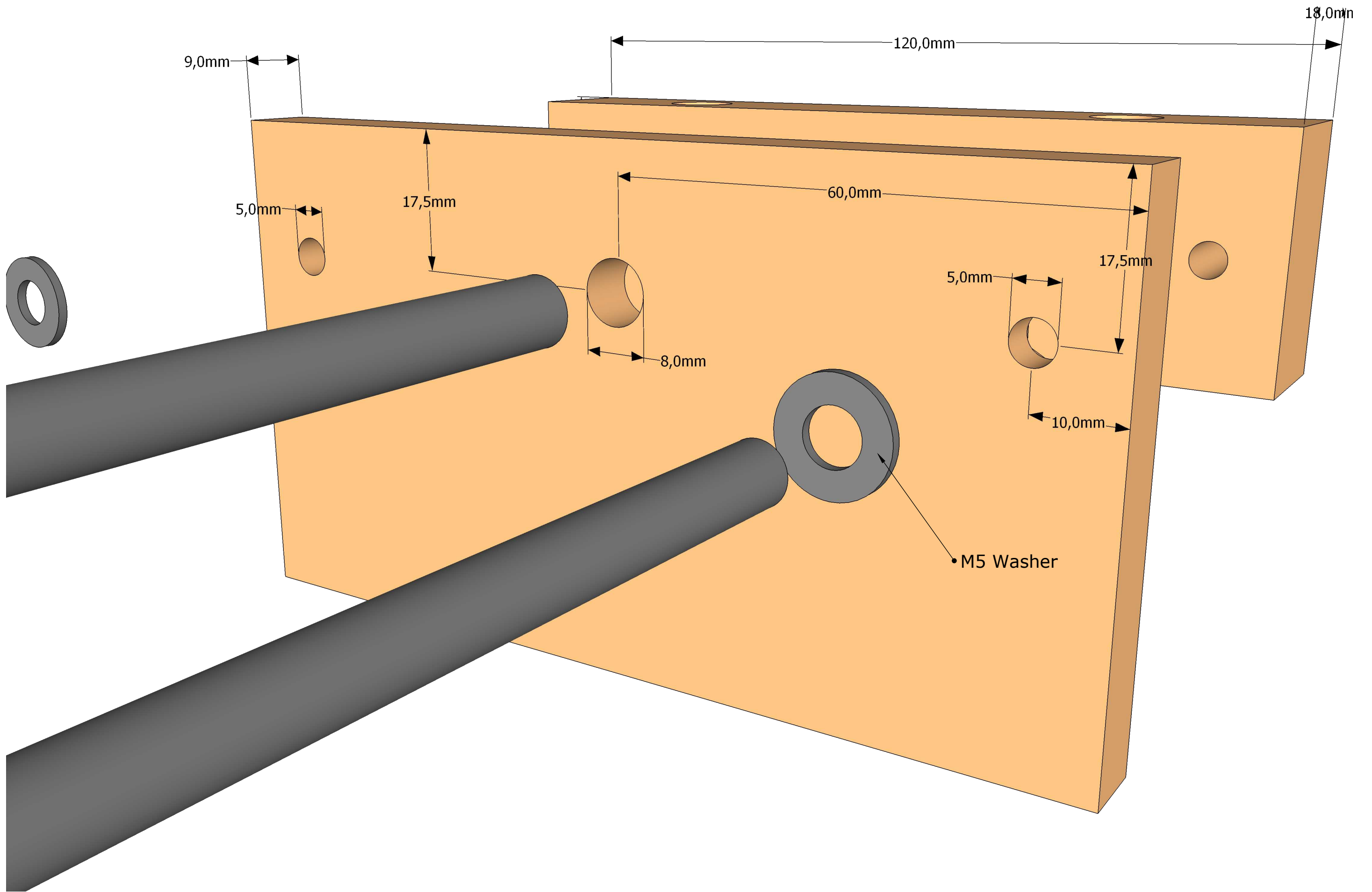


**Exploded1**





**Exploded3**



**Exploded4**

M5 Hexagonal Screw  
80mm long

M8 Threaded Rod  
110mm long

60,0mm

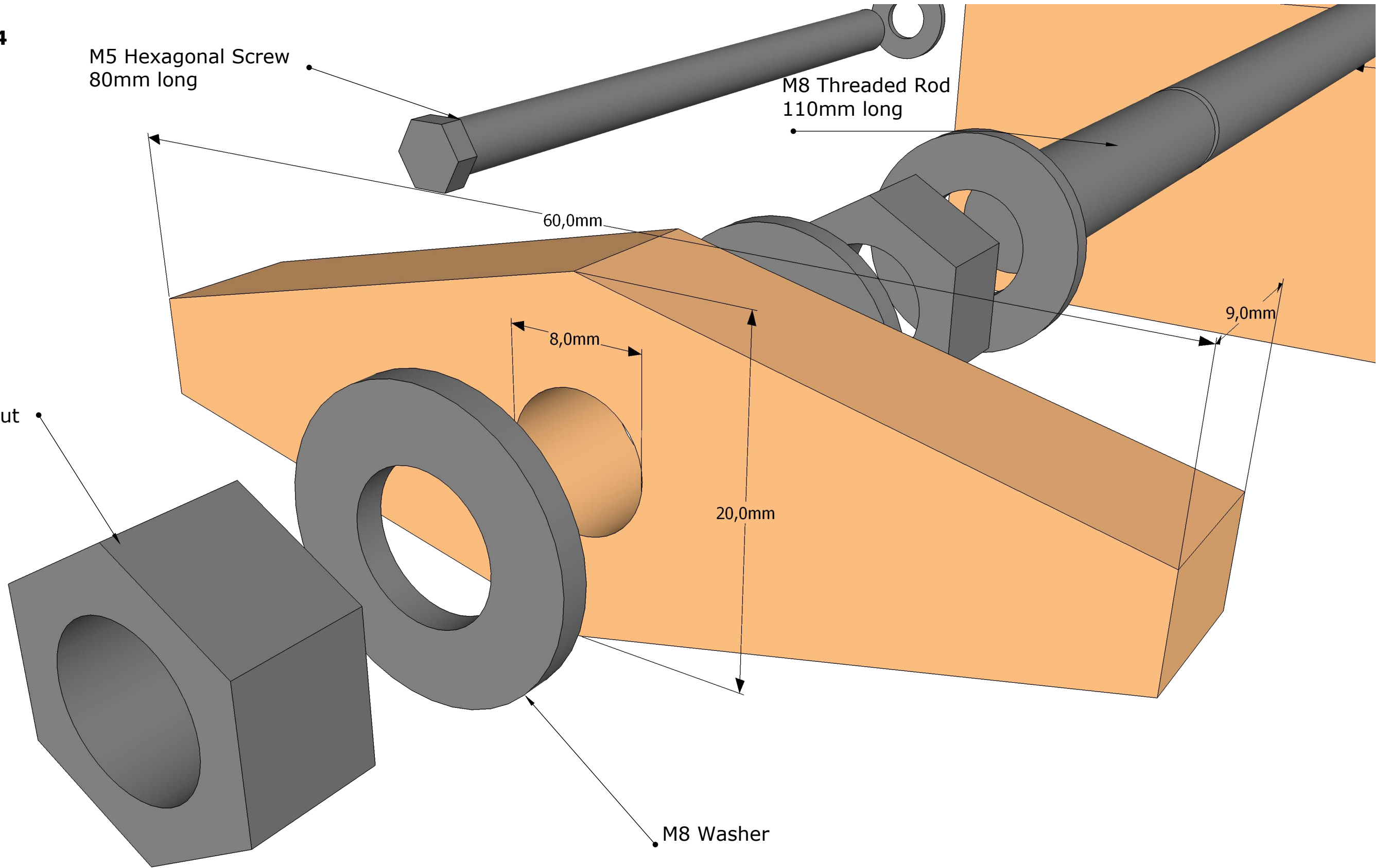
8,0mm

20,0mm

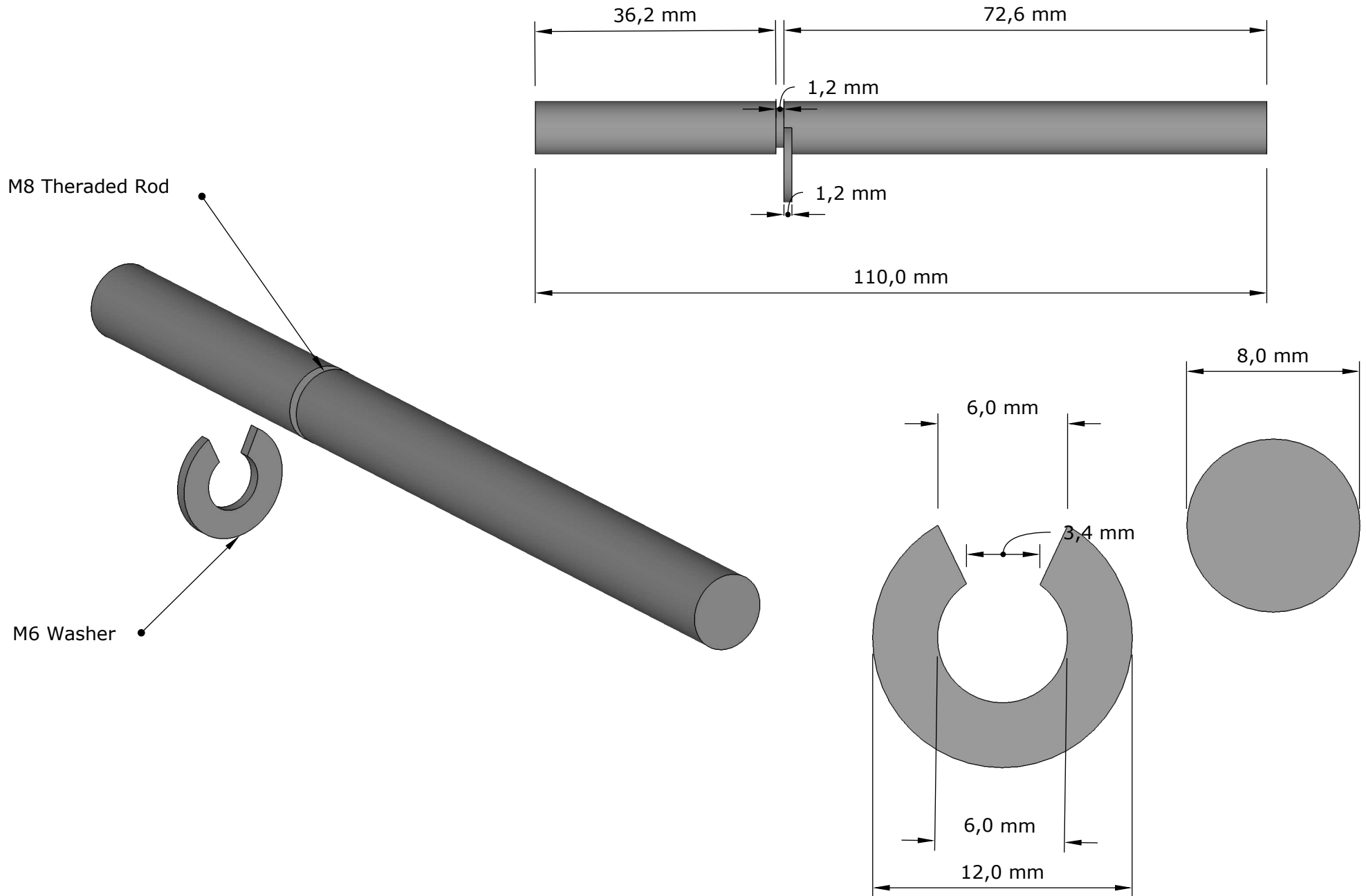
9,0mm

M8 Nut

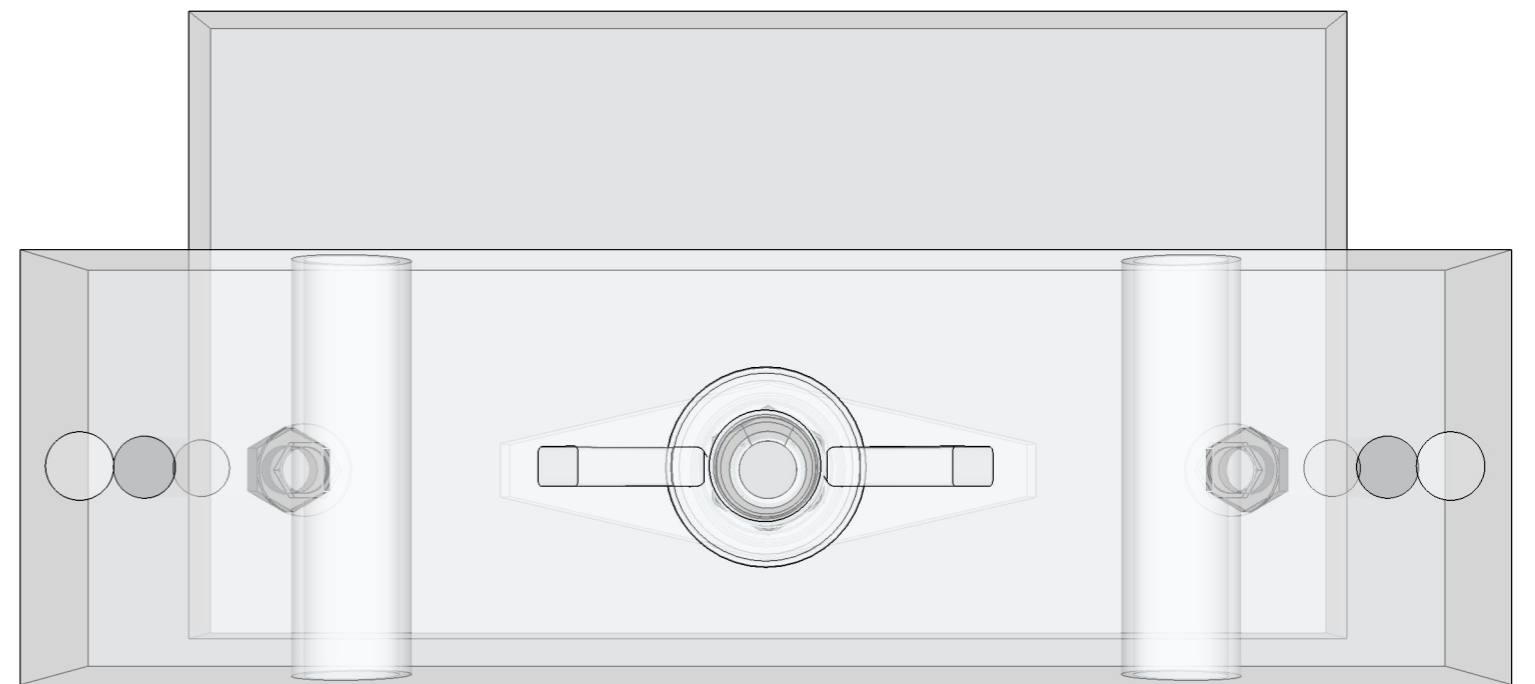
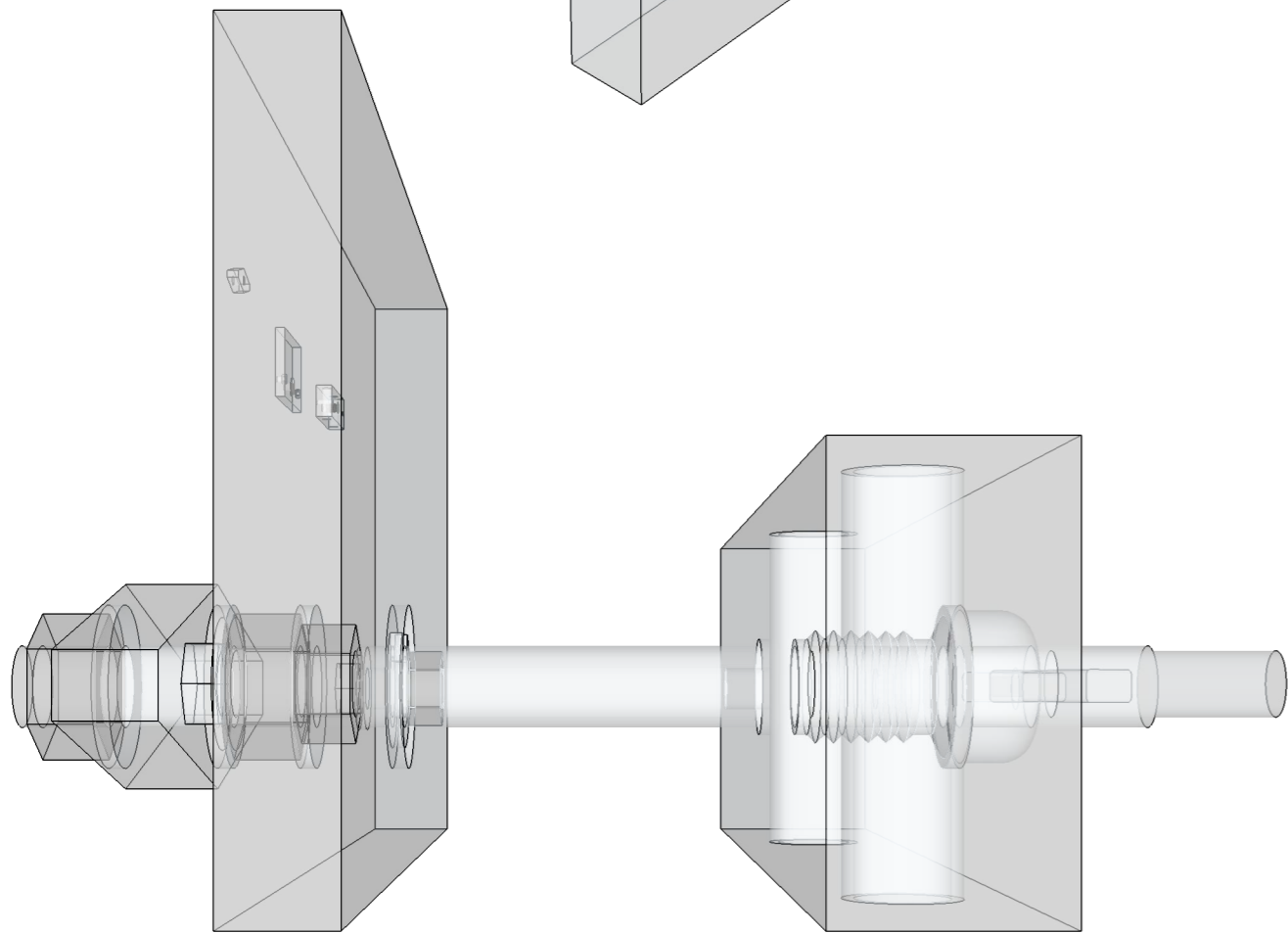
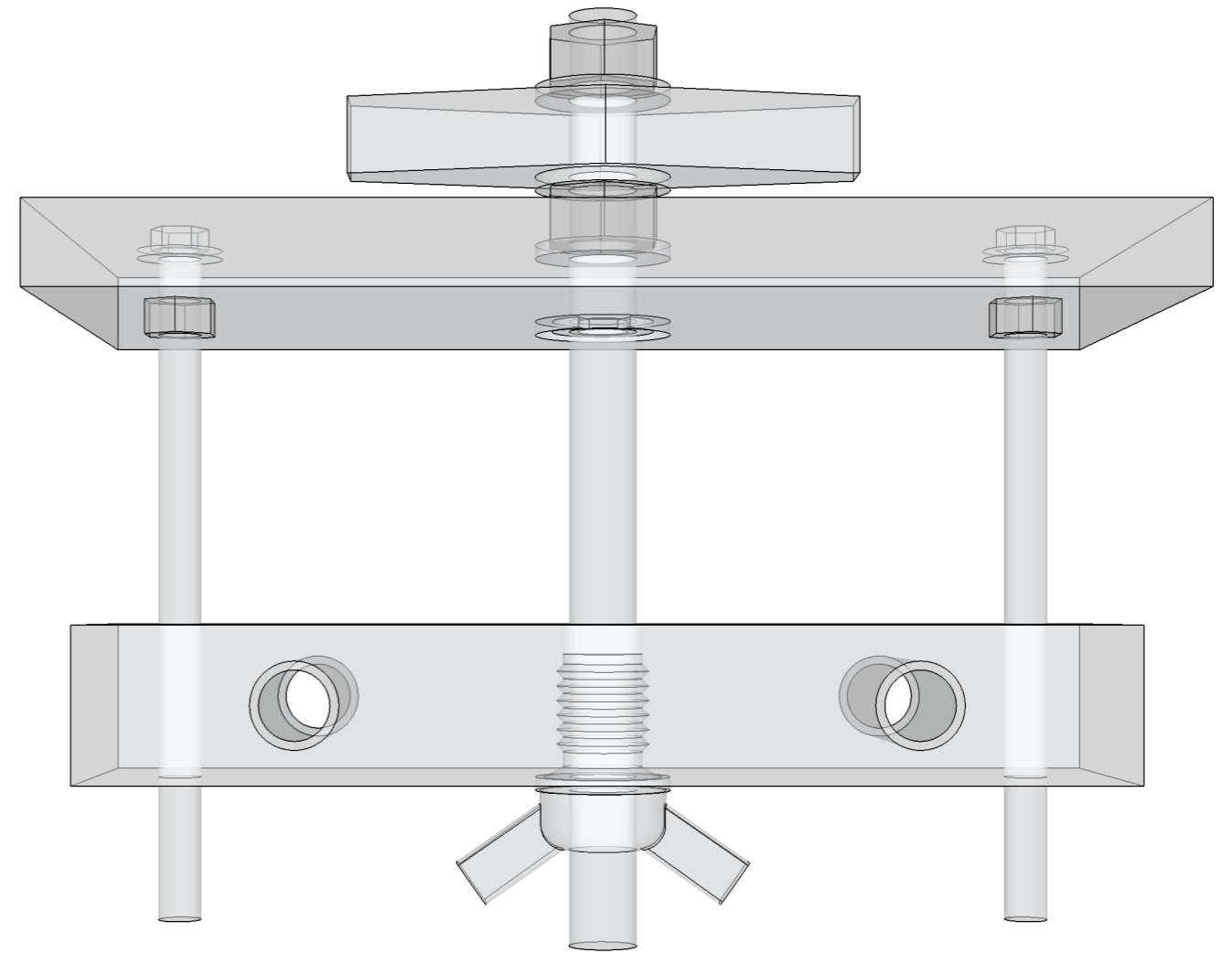
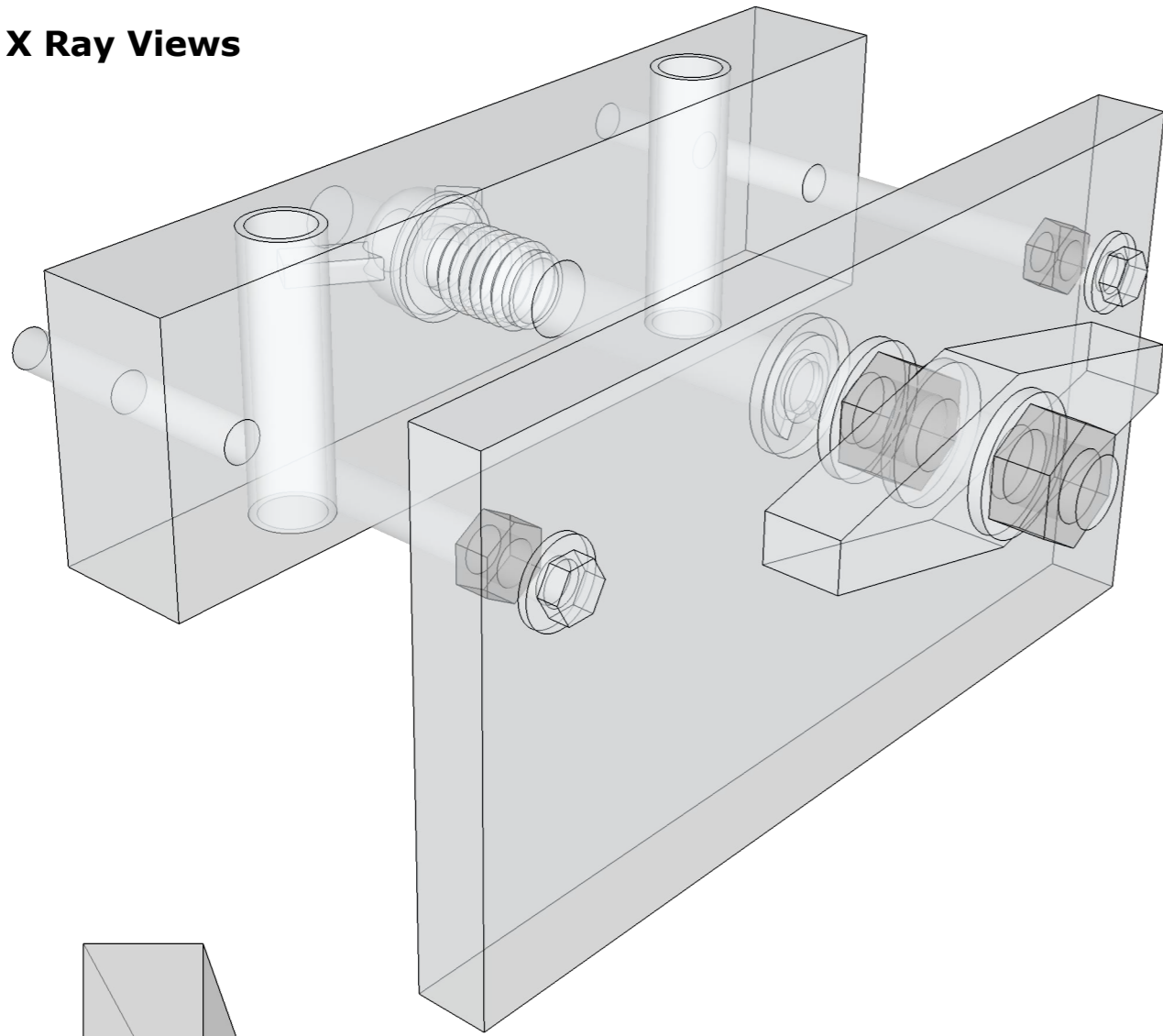
M8 Washer



# M8 Theraded Rod Detail

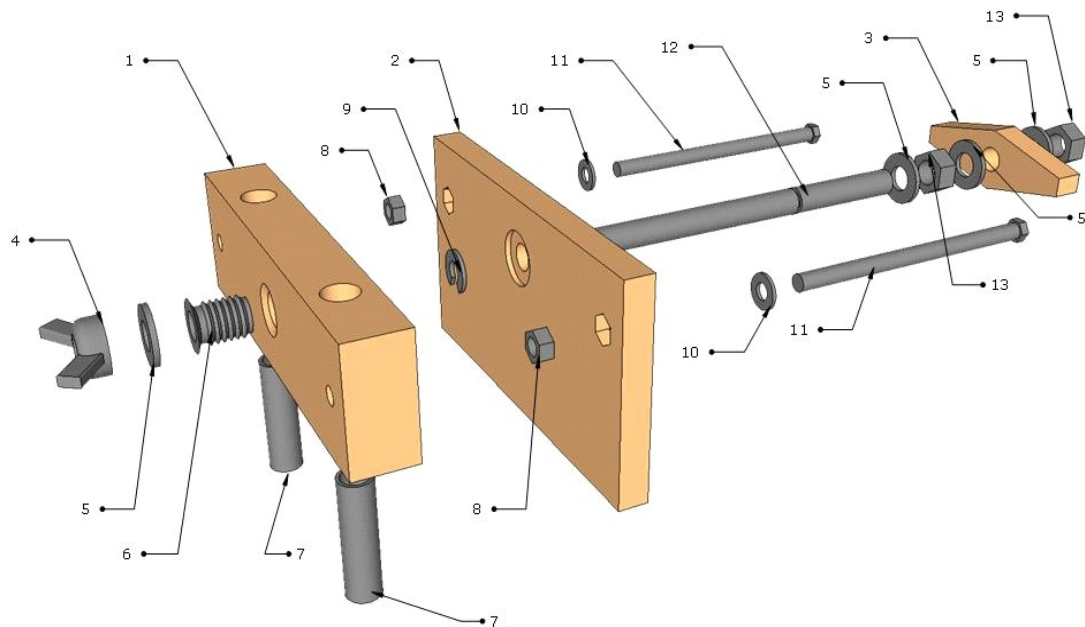


**X Ray Views**



# Doweling Jig

- 1- 120 x 35 x 18mm Hard Plywood
- 2- 120 x 65 x 9mm Hard Plywood
- 3- 60 x 20 x 9mm Hard Plywood
- 4- M8 Wing Nut
- 5- M8 Washers (4pieces)
- 6- M8 Threaded Insert
- 7- Steel Pipe 35mm long, 10mm Out Diameter and 8mm Inner Diameter (2 Pieces)
- 8- M5 Nuts (2 Pieces)
- 9- M6 Washer (Open to insert in M8 Threaded Rod)
- 10- M5 Washers (2 Pieces)
- 11- M5 Hexagonal Head Screw 80mm Long (2 Pieces)
- 12- M8 Threded Rod 110mm Long
- 13- M8 Nuts (2 Pieces)





# Printable Templates

