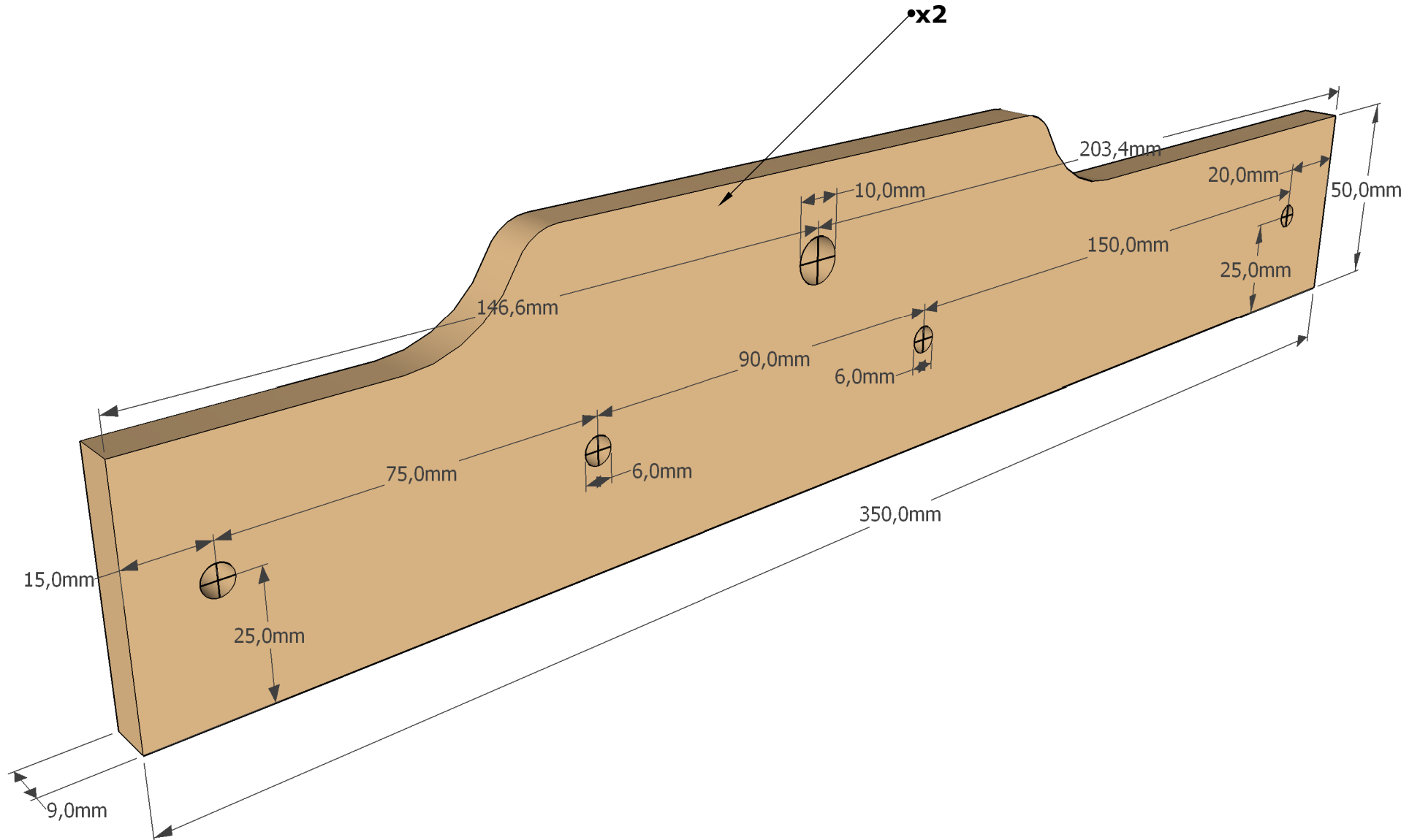
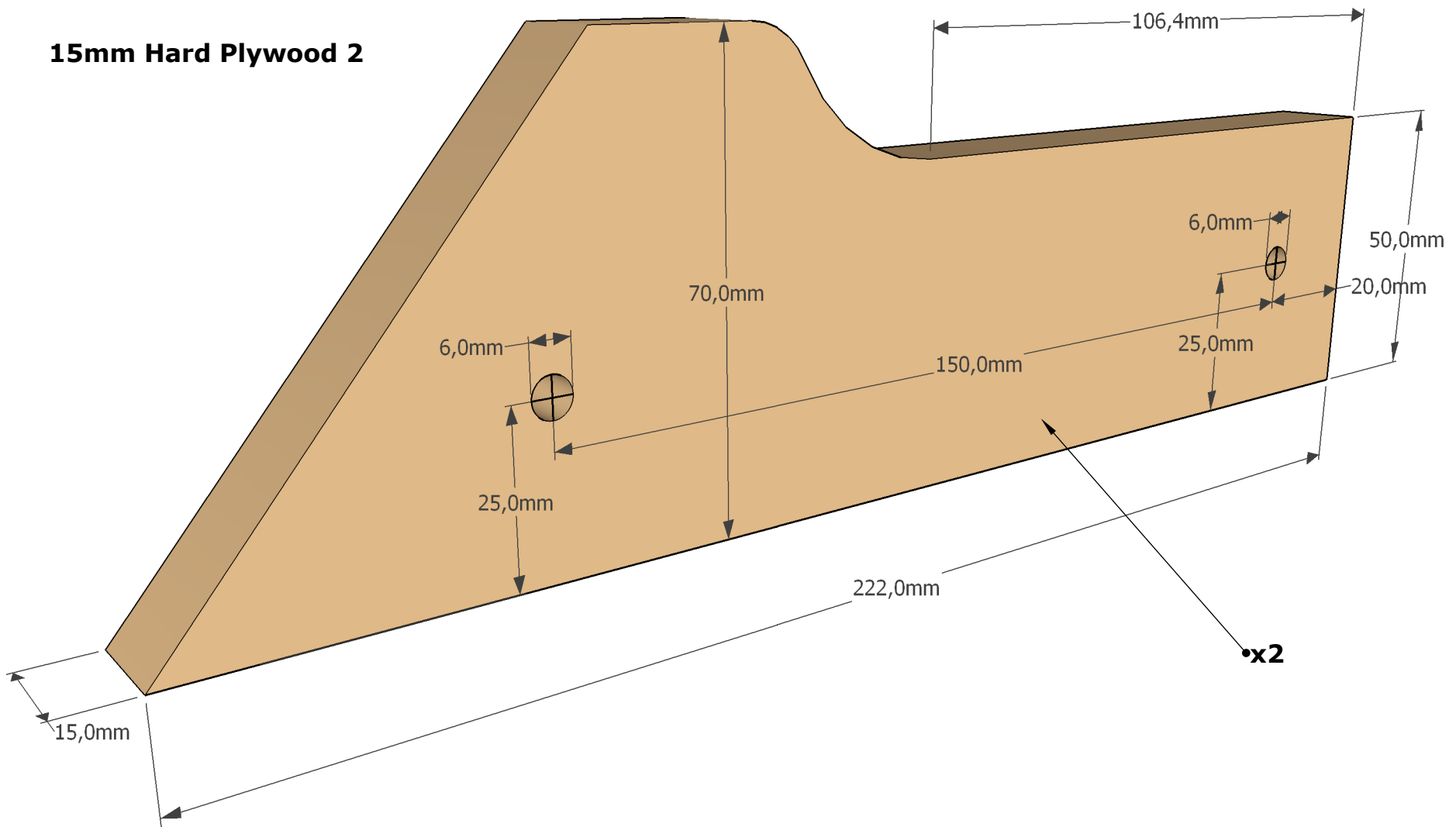


9mm Hard Plywood

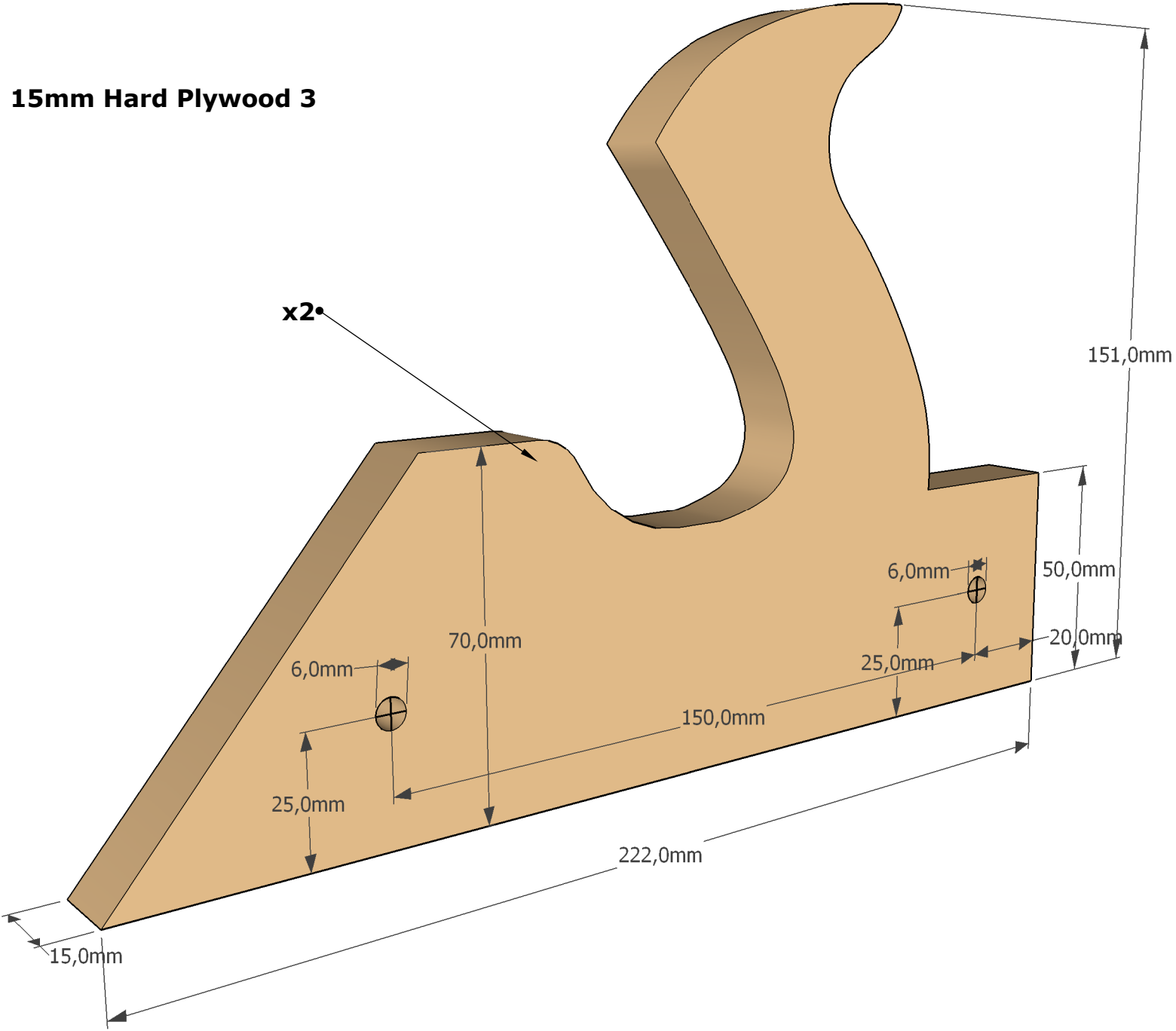


15mm Hard Plywood 2

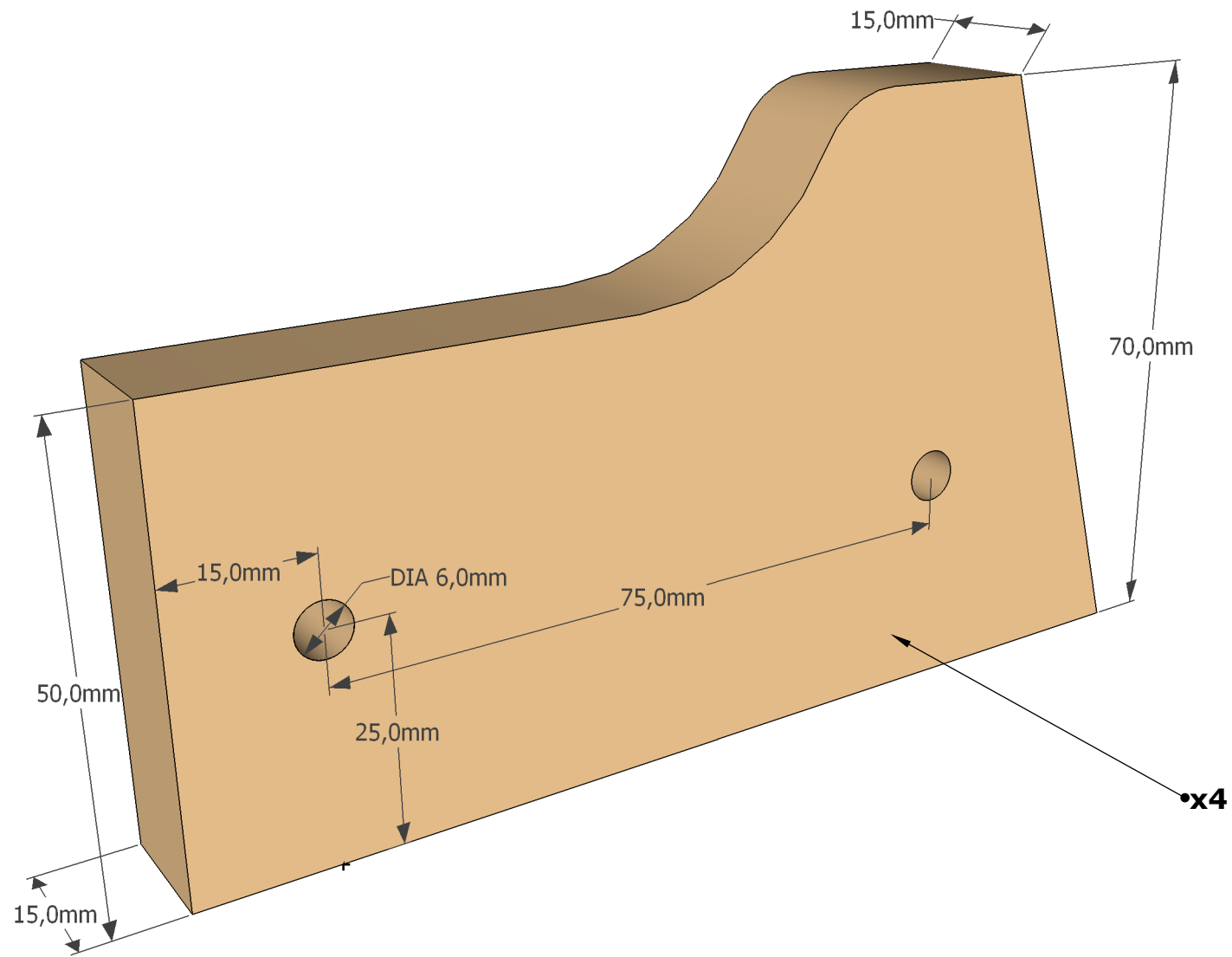


15mm Hard Plywood 3

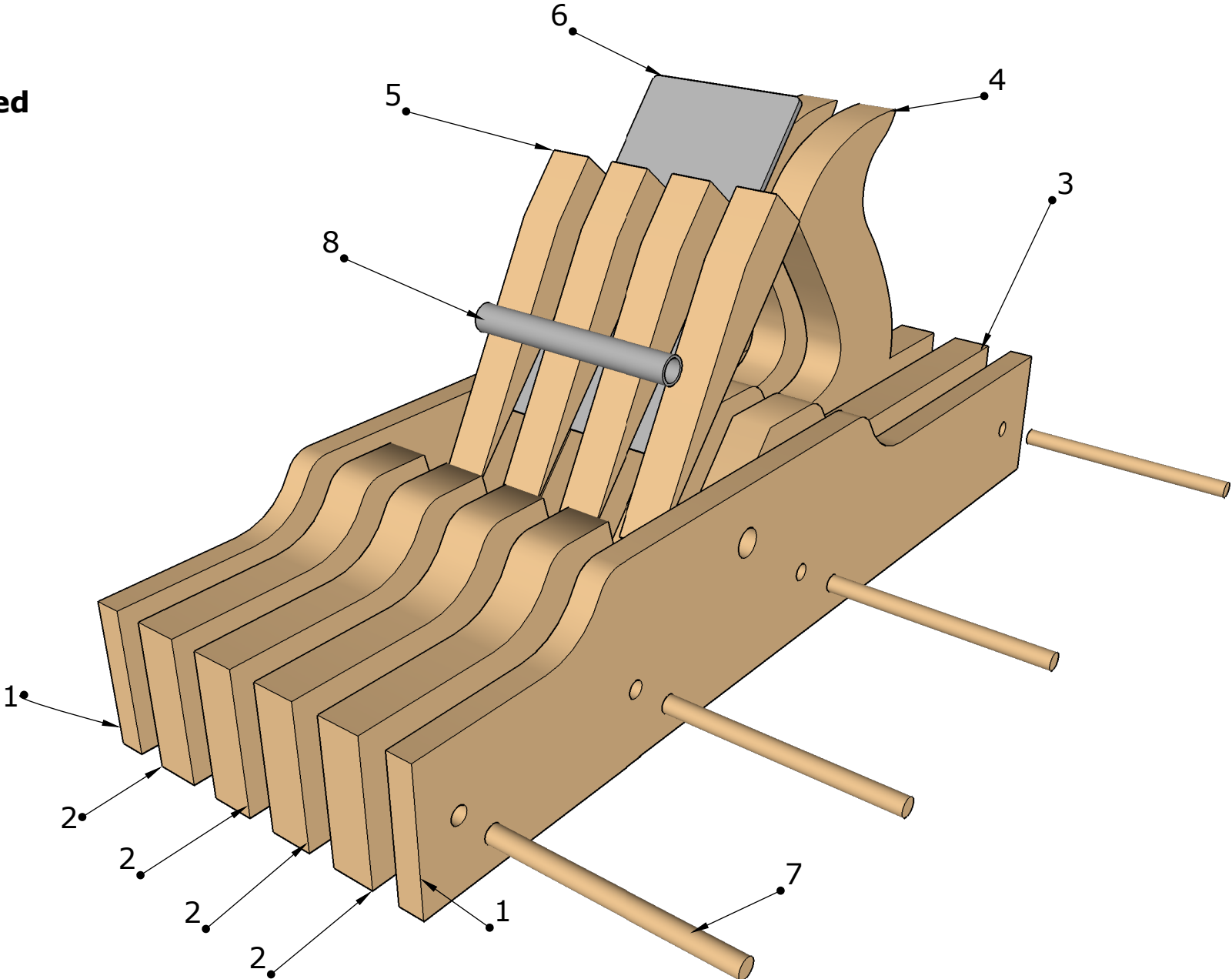
x2



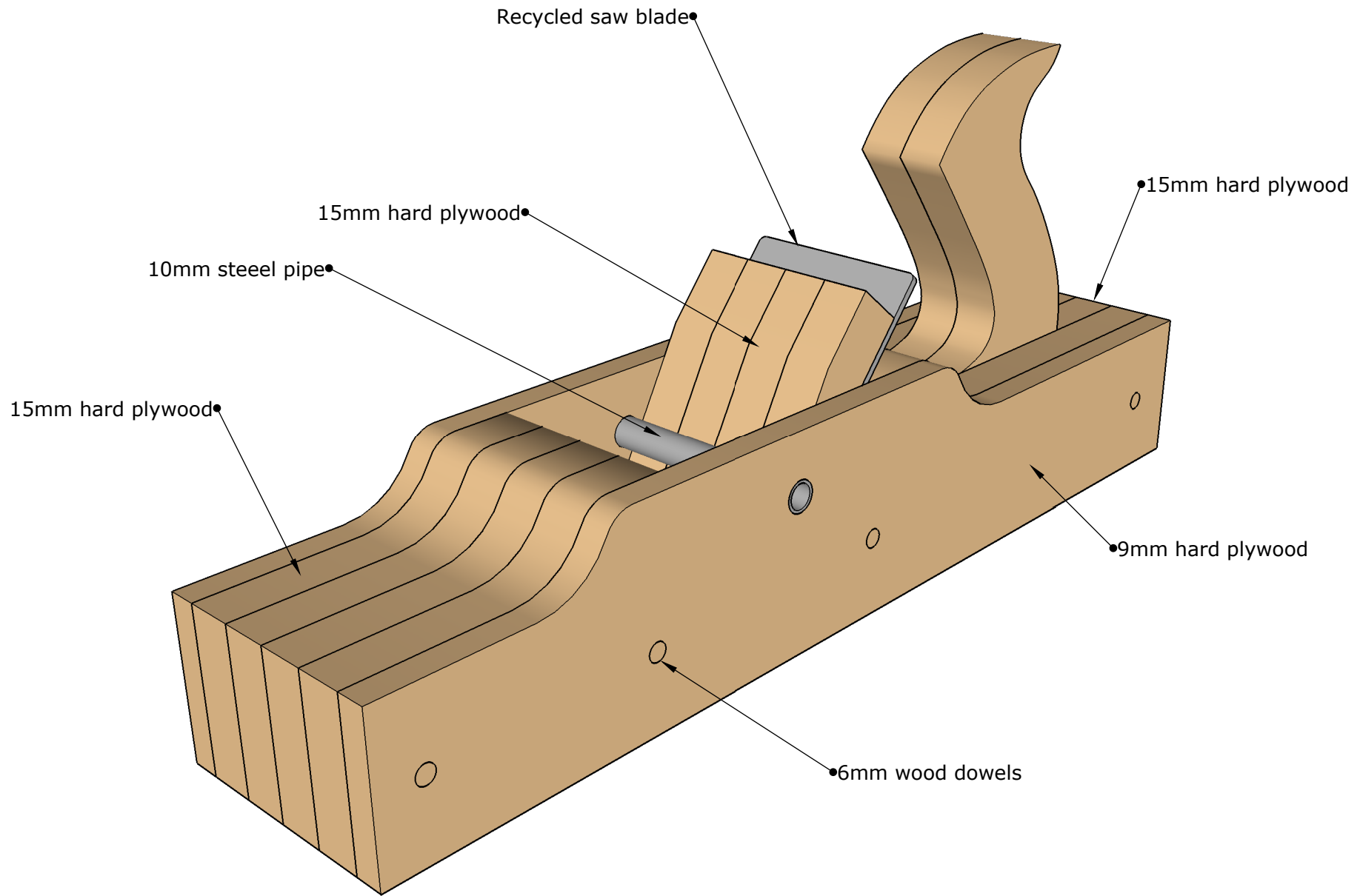
15mm Hard Plywood1



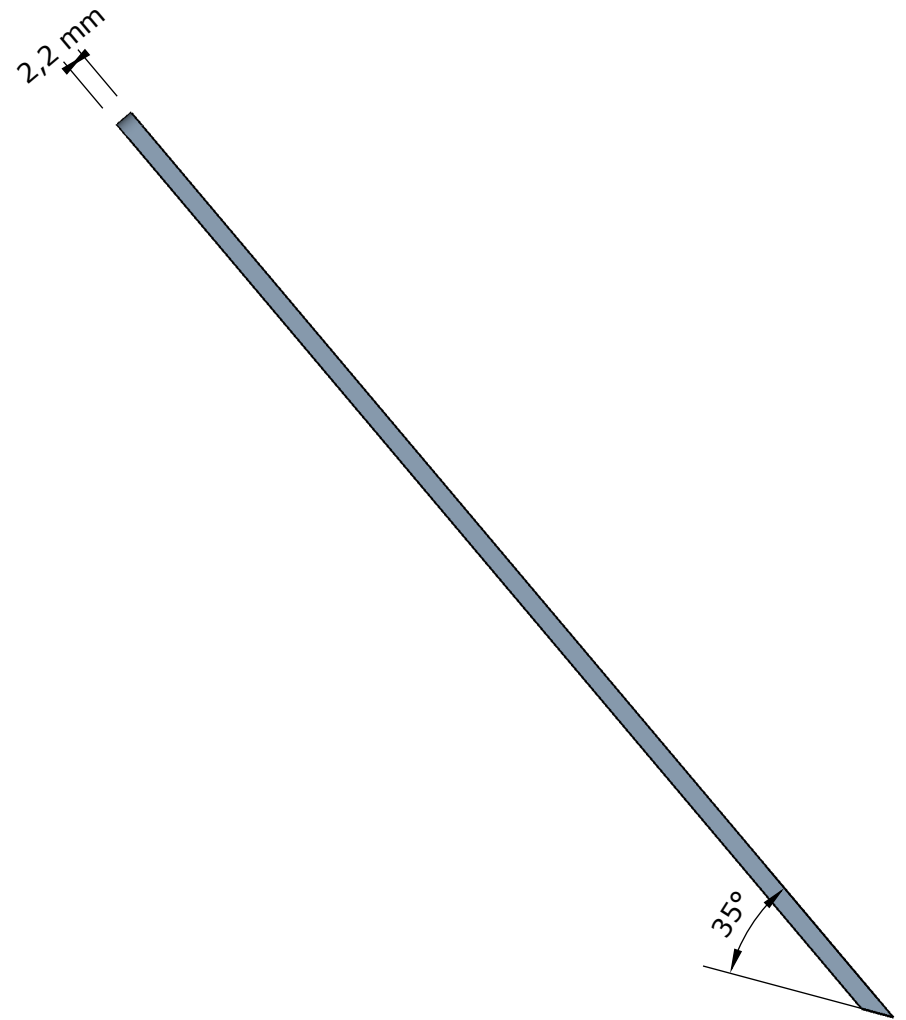
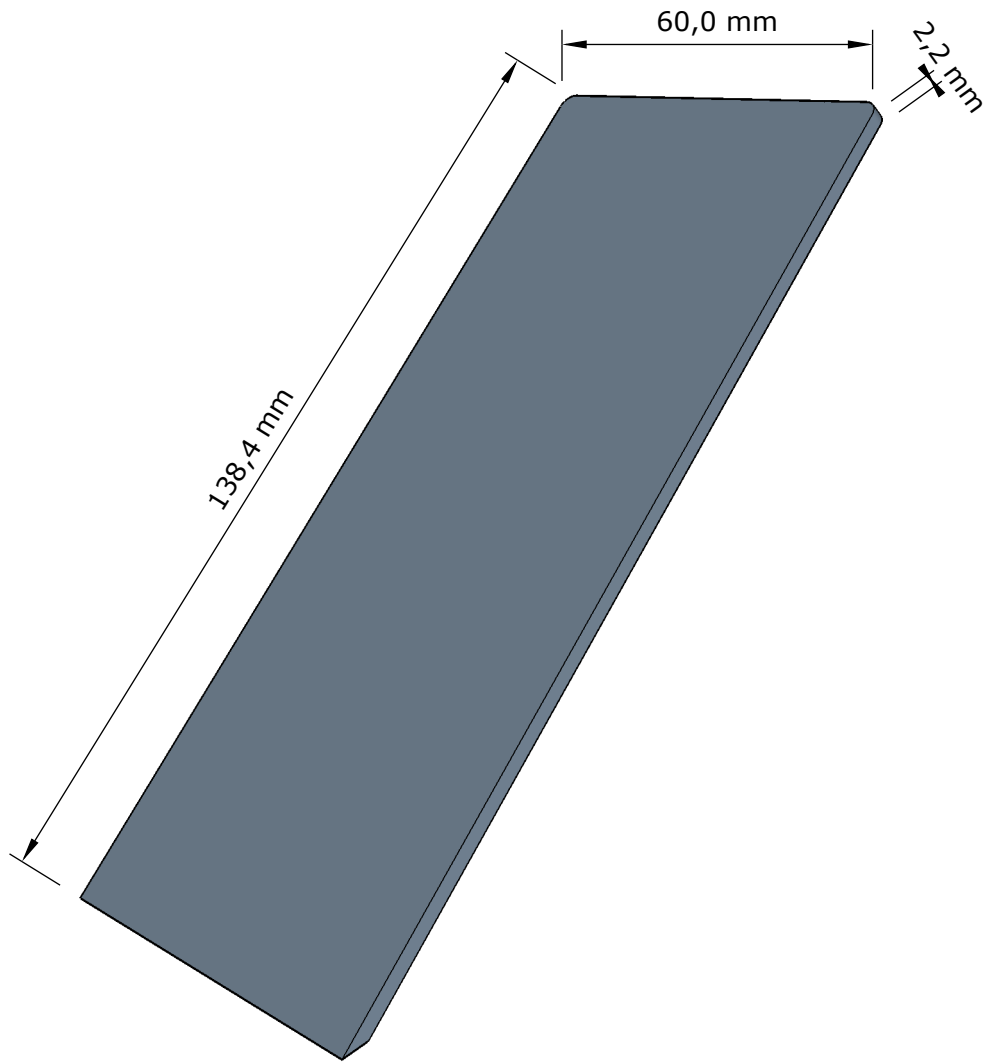
Exploded



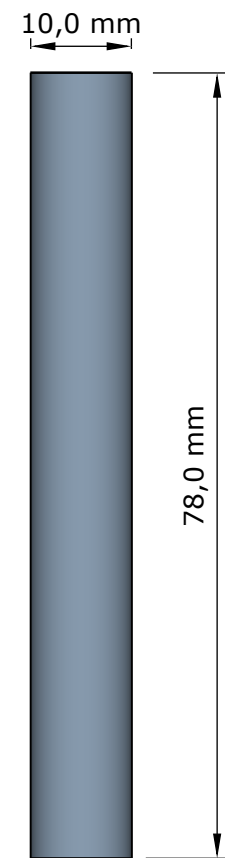
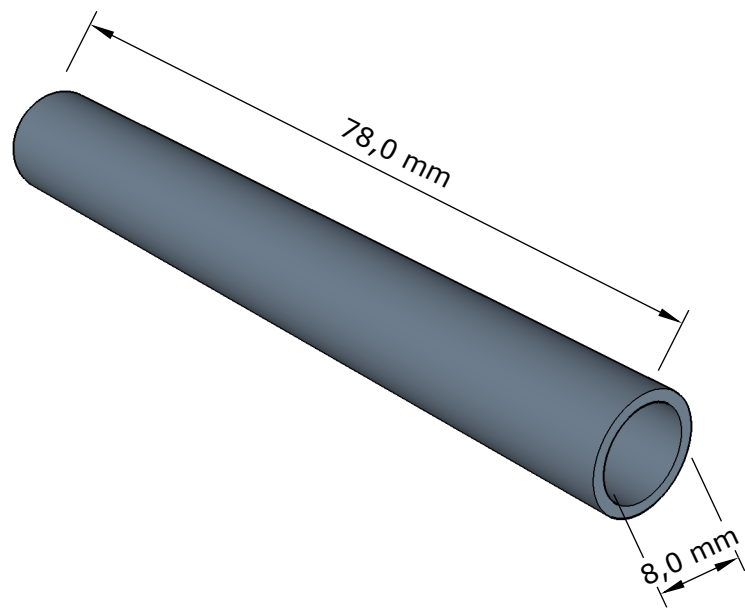
Medium Hand Planer iso



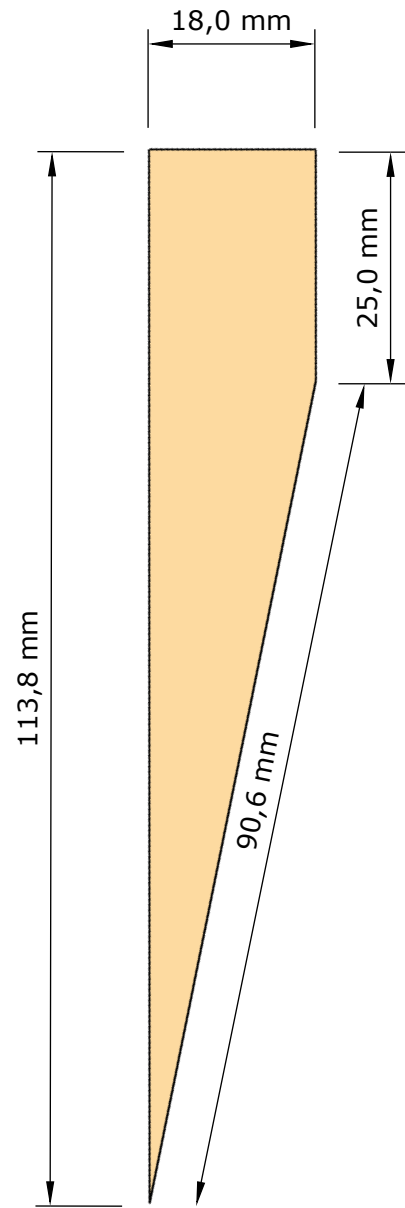
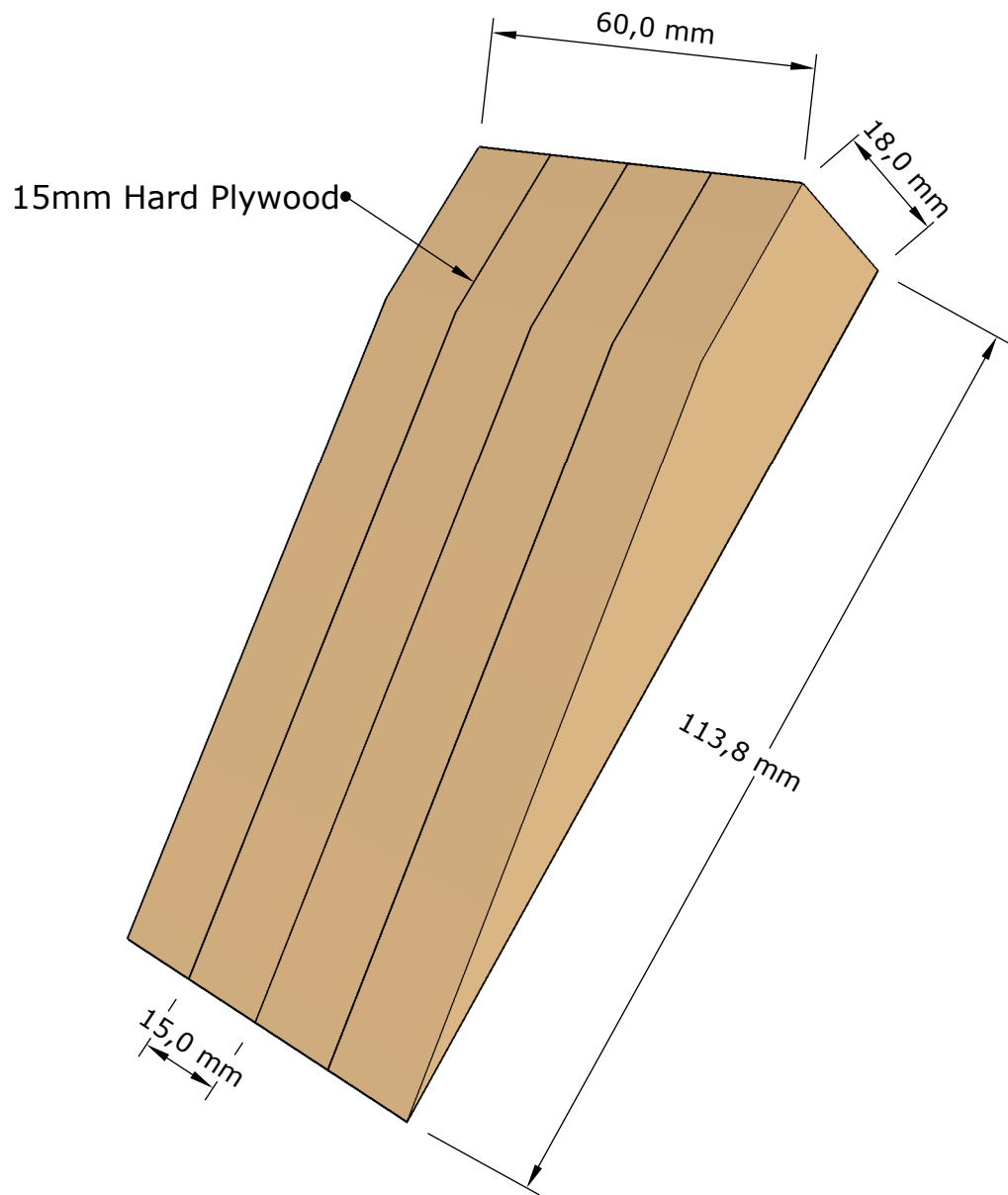
2,2Mmm Recycled Saw Blade



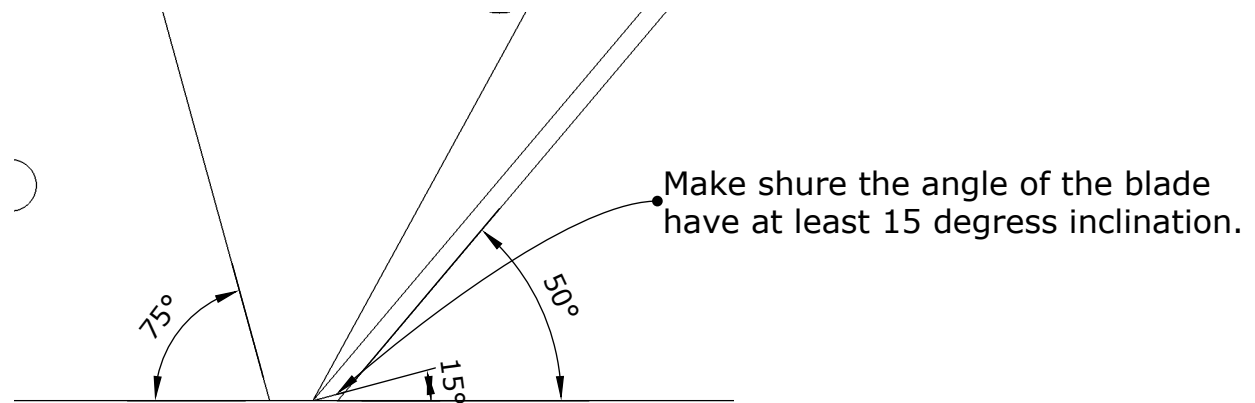
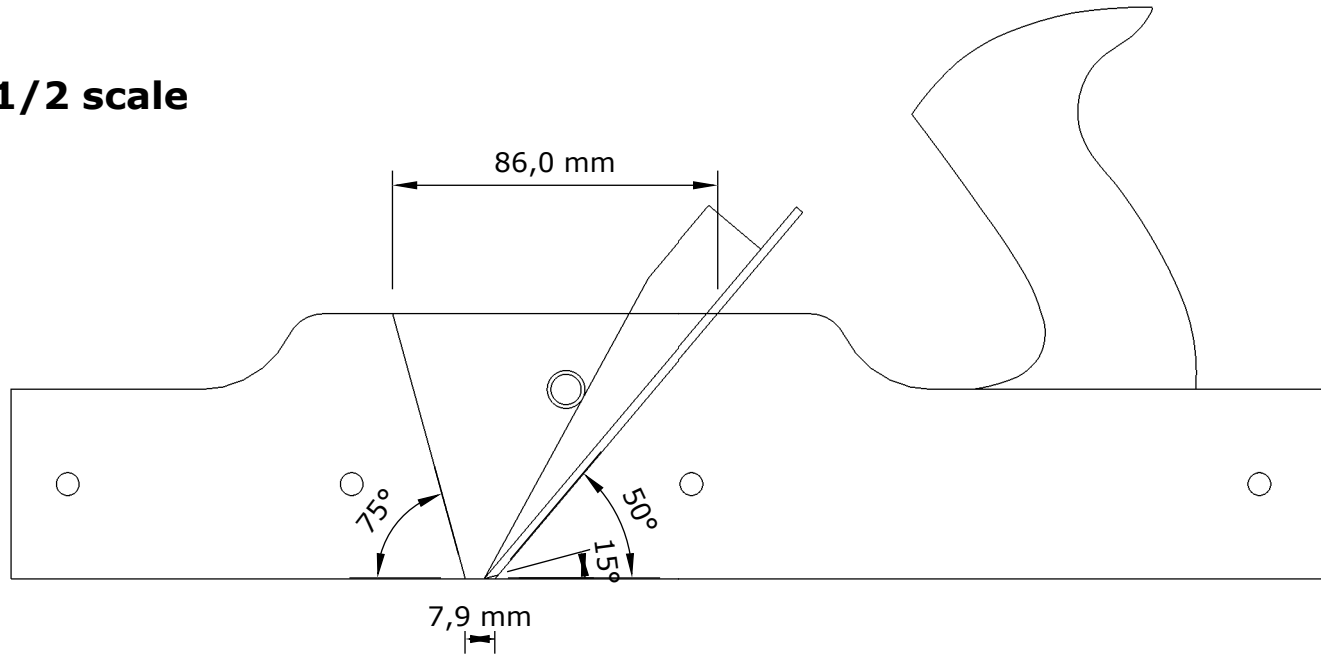
Steel Pipe



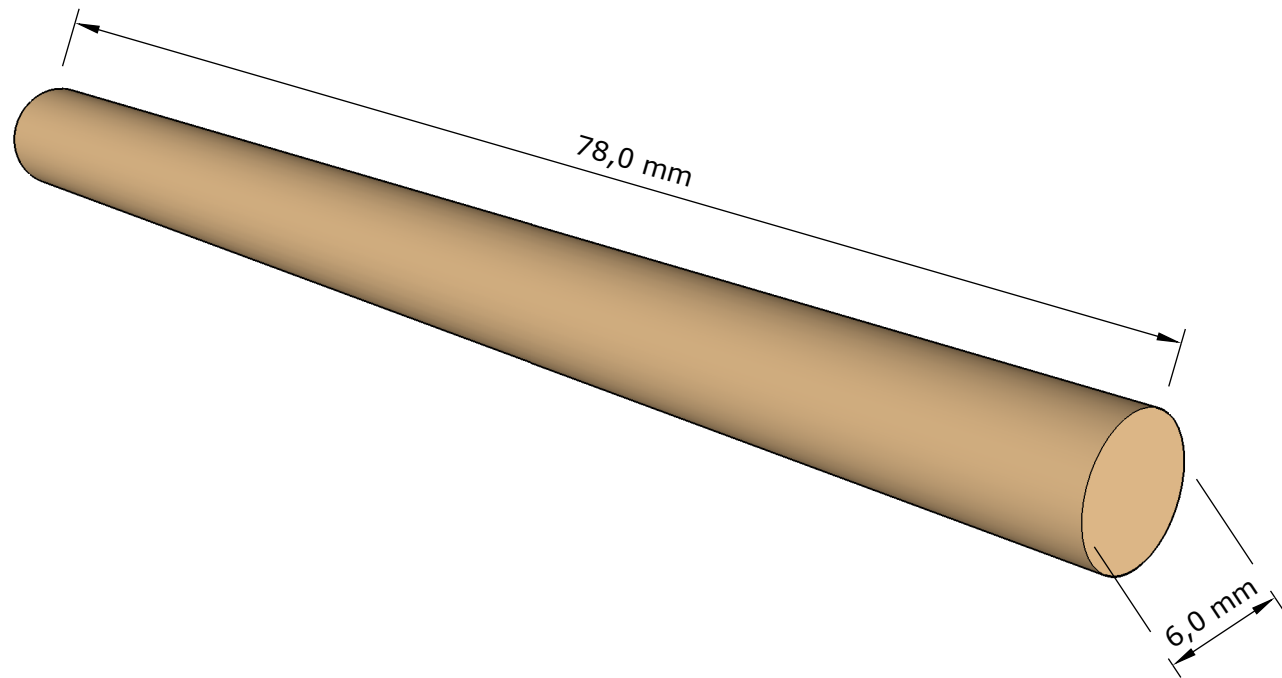
Wedge



Wireframe 1/2 scale



Wood Dowels



Medium hand planer

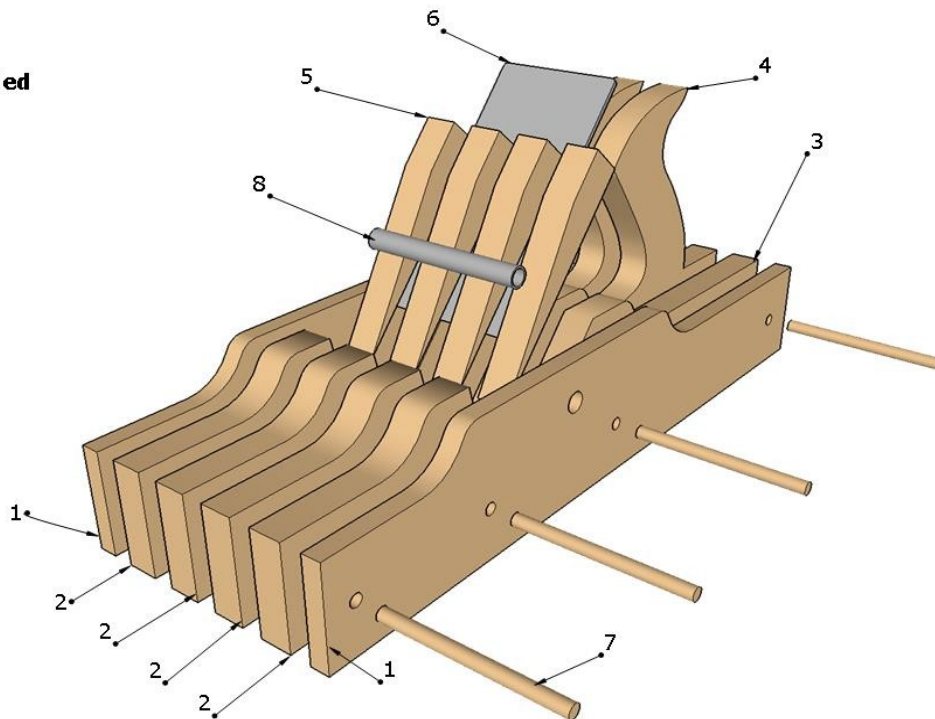
Materials Needed:

A sheet of 360x150x9mm Hard Plywood
A sheet of 400x400x15mm Hard Plywood

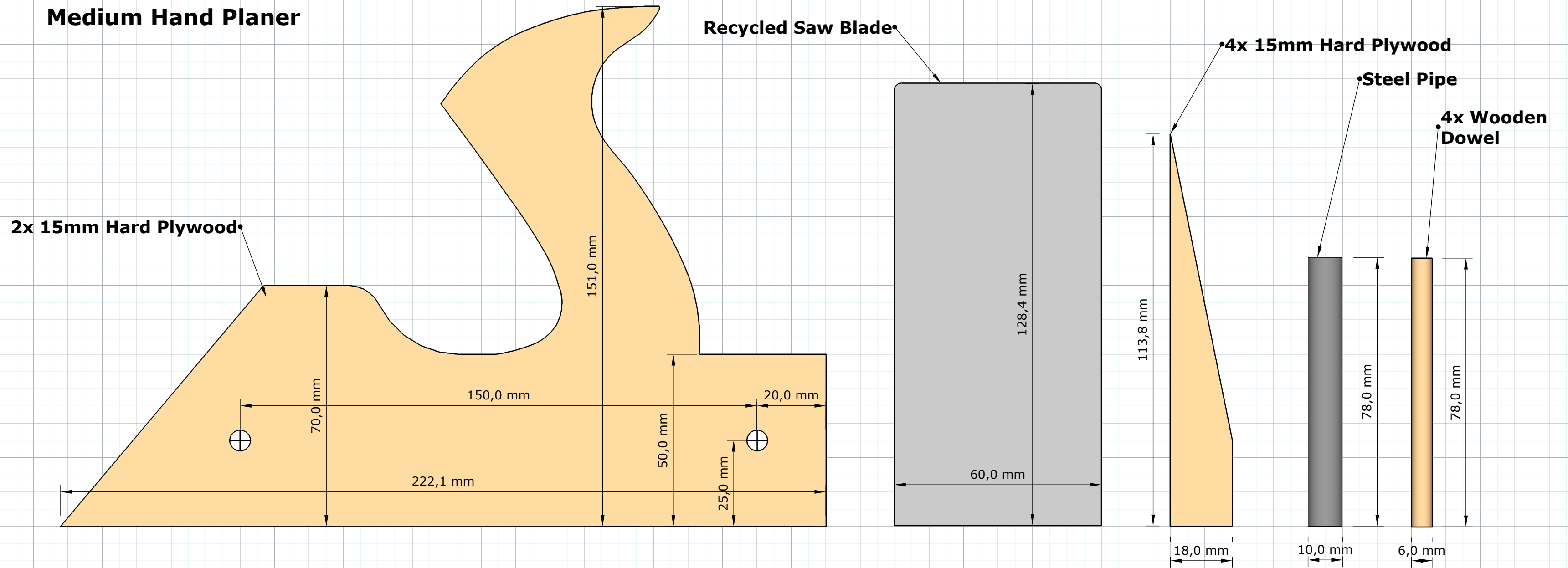
Cutting list:

- | | | | |
|----|--------------|--------------|--------------------|
| 1- | 350x70x9mm | (2Pieces) | Hard Plywood |
| 2- | 120x70x15mm | (4 Pieces) | Hard Plywood |
| 3- | 222x70x15mm | (2 Pieces) | Hard Plywood |
| 4- | 222x151x15mm | (2Pieces) | Hard Plywood |
| 5- | 114x18x15mm | (4 Pieces) | Hard Plywood |
| 6- | 138x60x2,2mm | (Blade) | Recycled Saw Blade |
| 7- | 78x6mm | (4xDowels) | Wood Dowels |
| 8- | 78x10mm | (Stell Pipe) | |

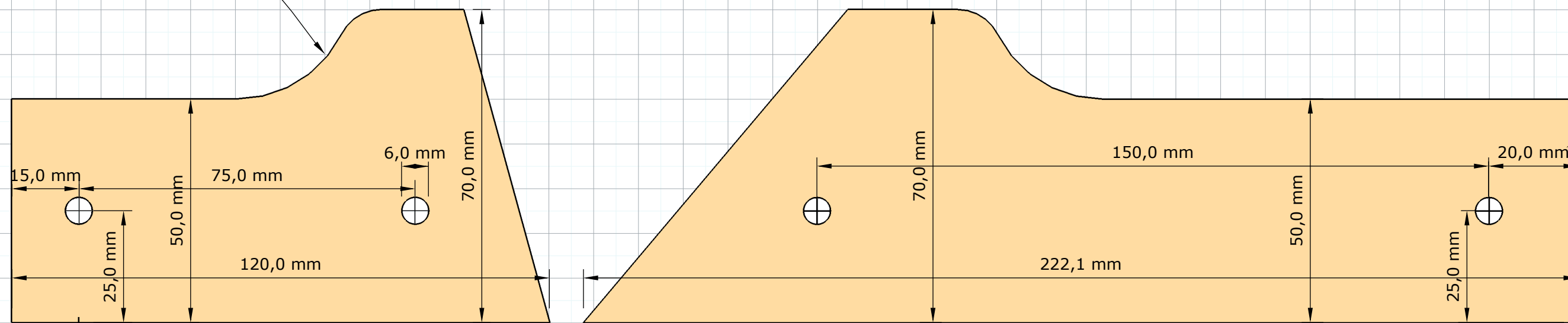
Exploded



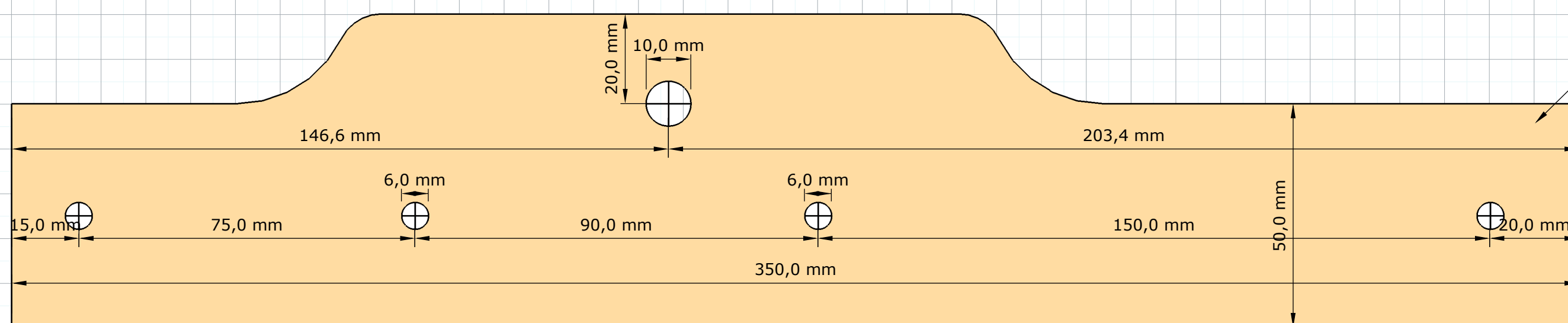
Medium Hand Planer



4x 15mm Hard Plywood



2x 15mm Hard Plywood



2x 9mm Hard Plywood