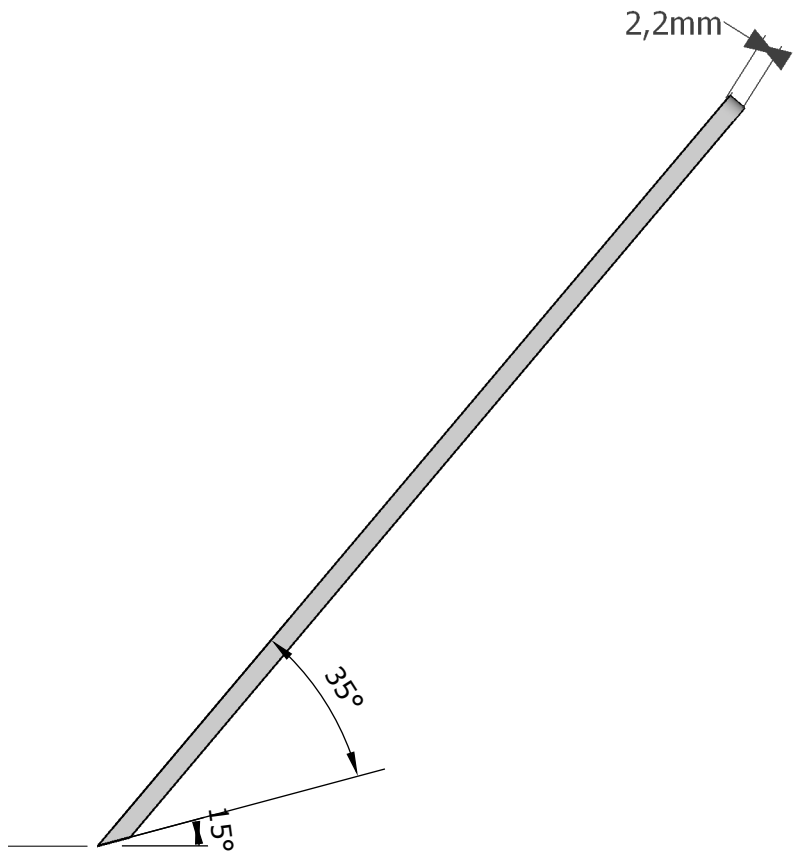
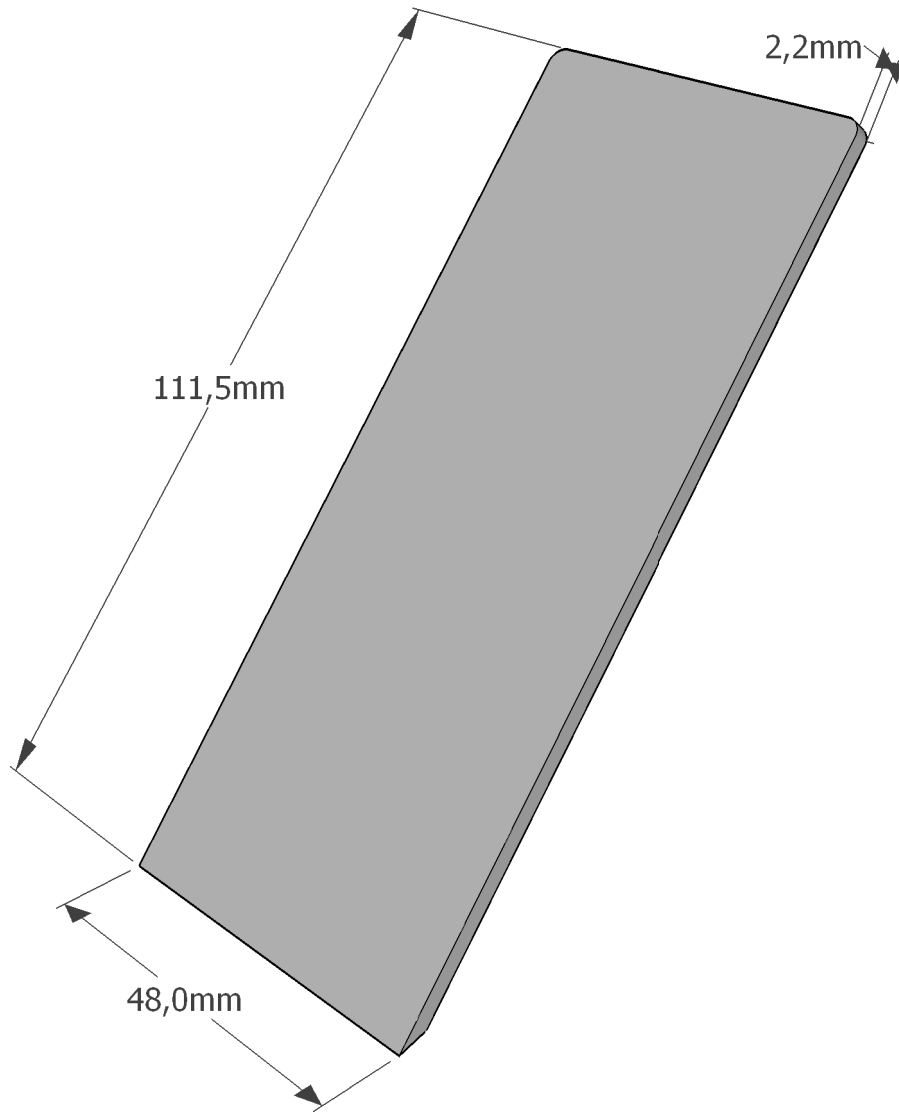
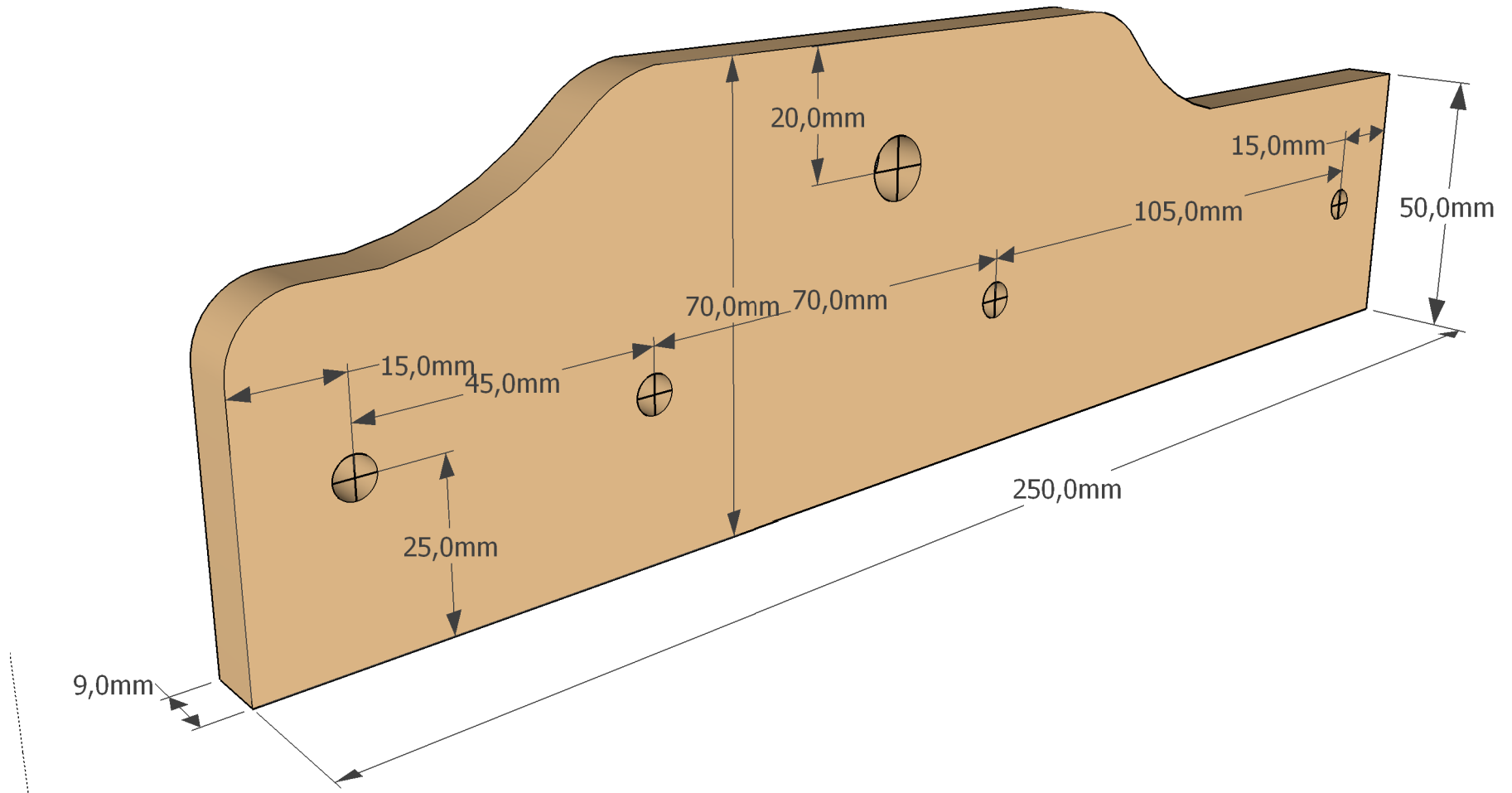


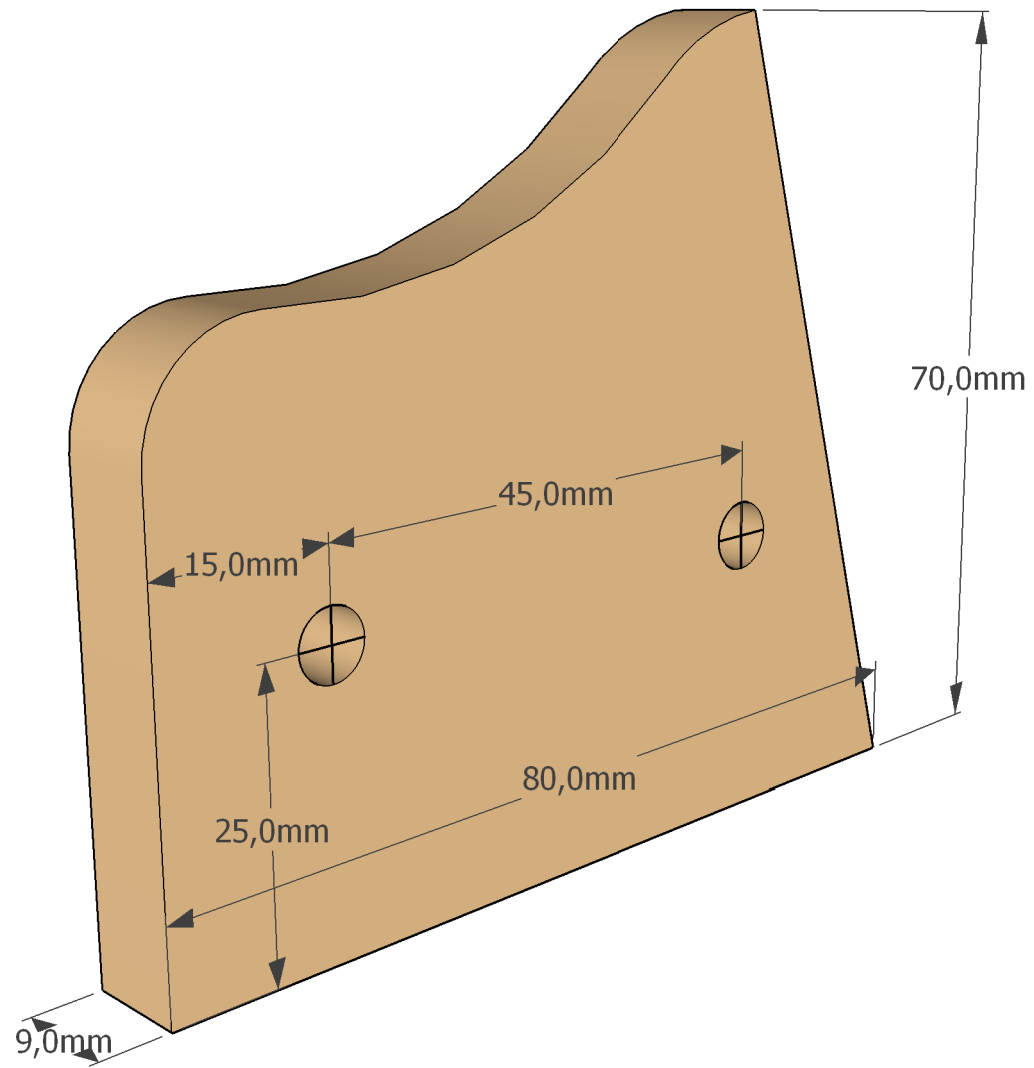
2,2Mmm Recycled Saw Blade



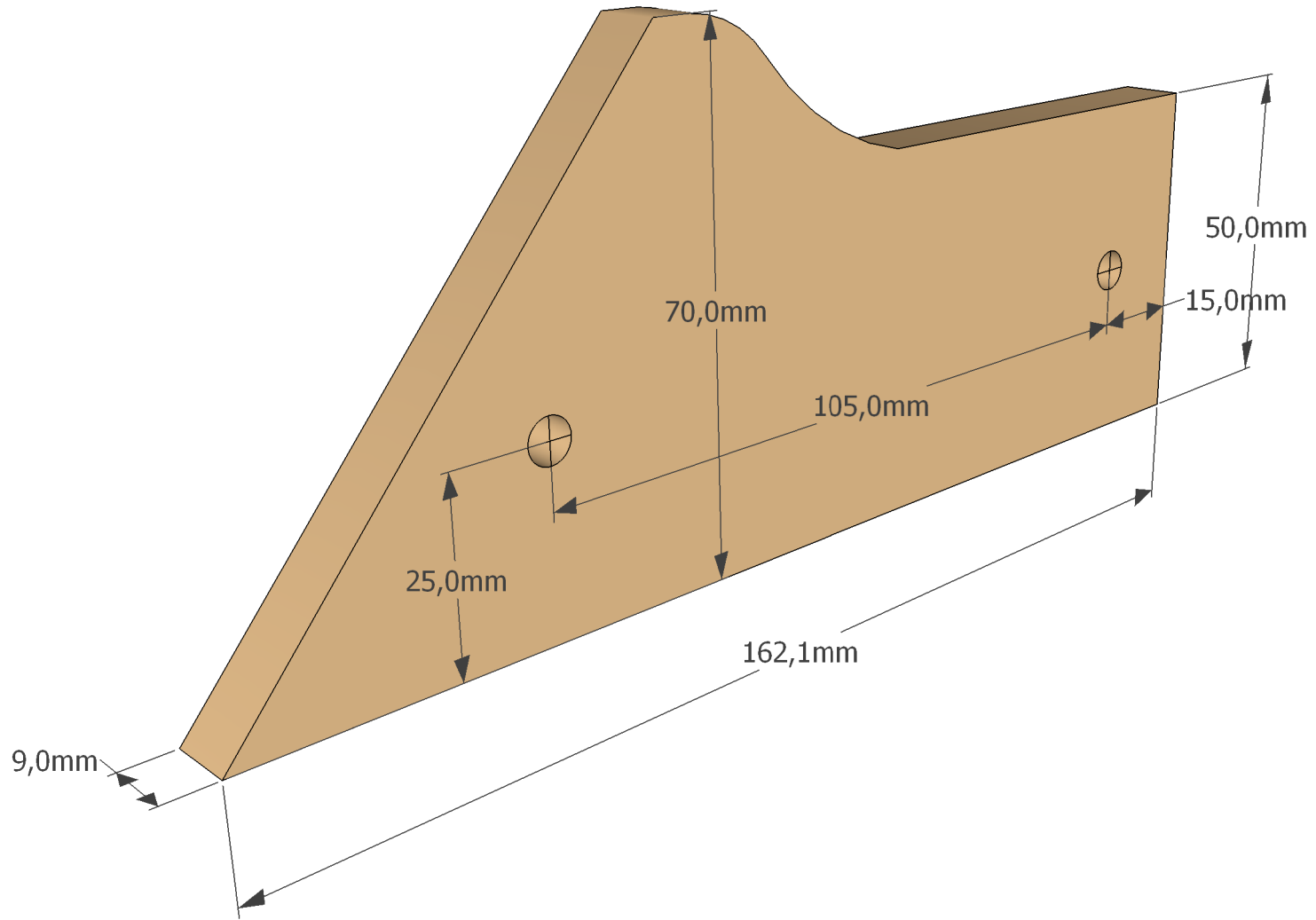
9mm Hard Plywood 1



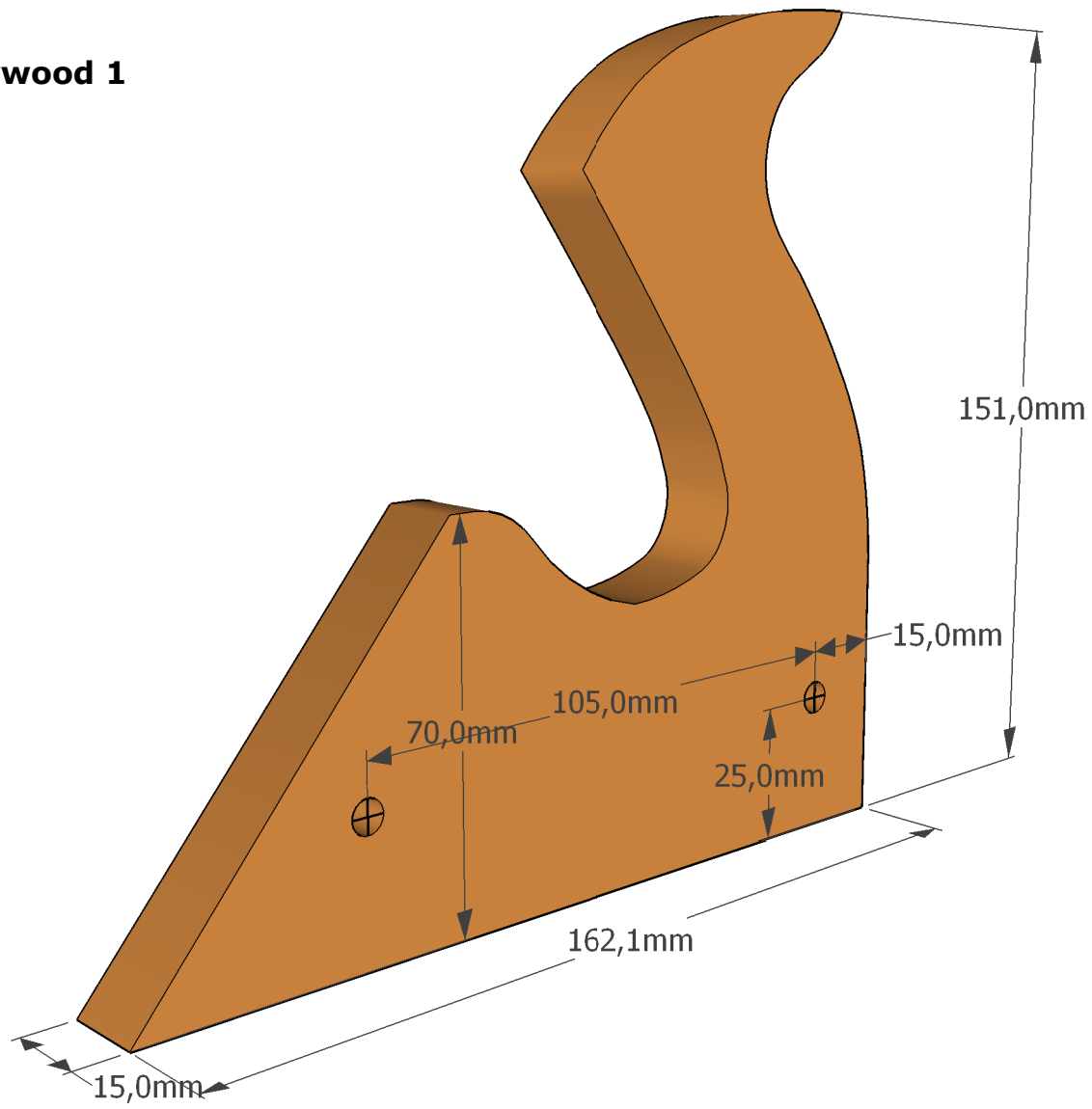
9mm Hard Plywood 2



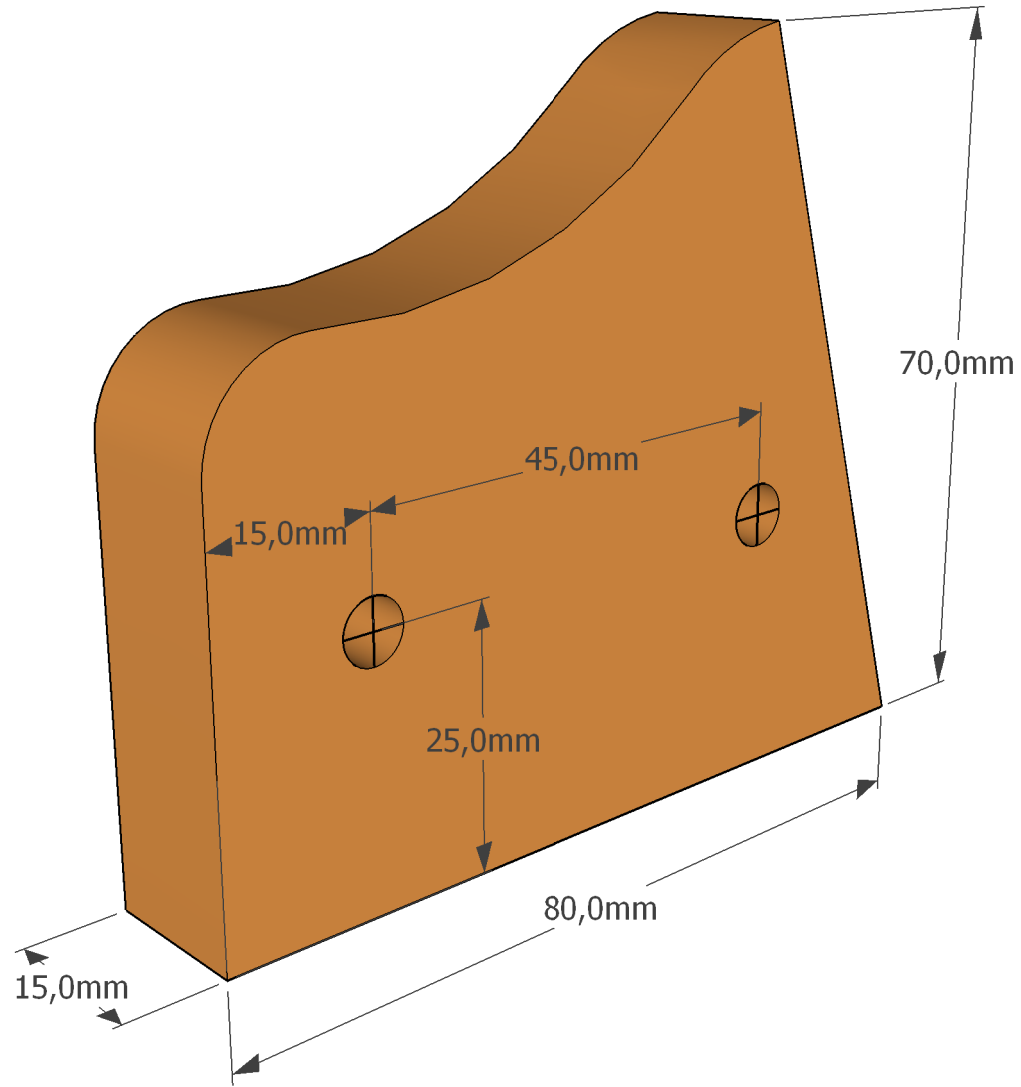
9mm Hard Plywood 3



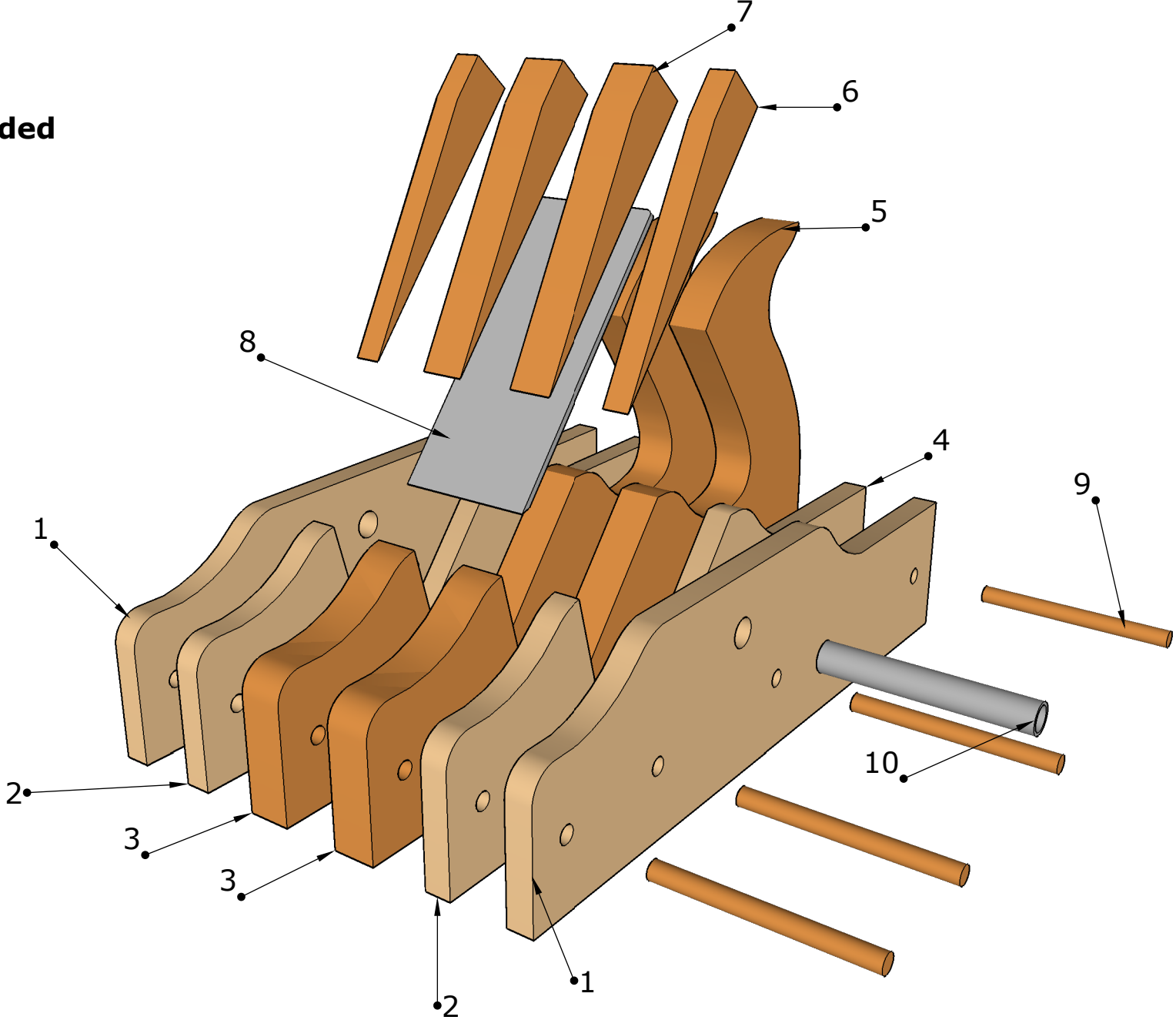
15mm Hard Plywood 1



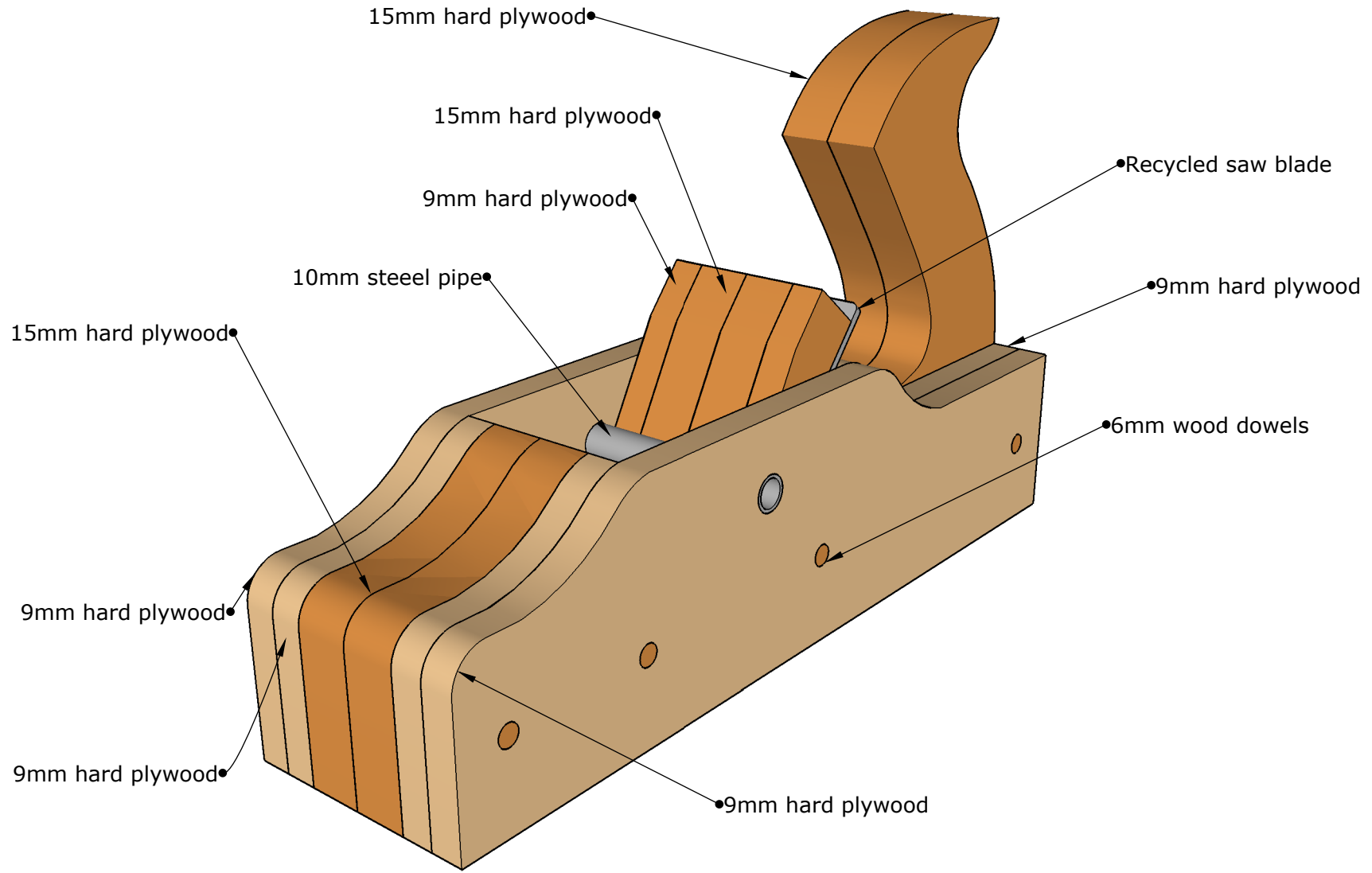
15mm Hard Plywood 2



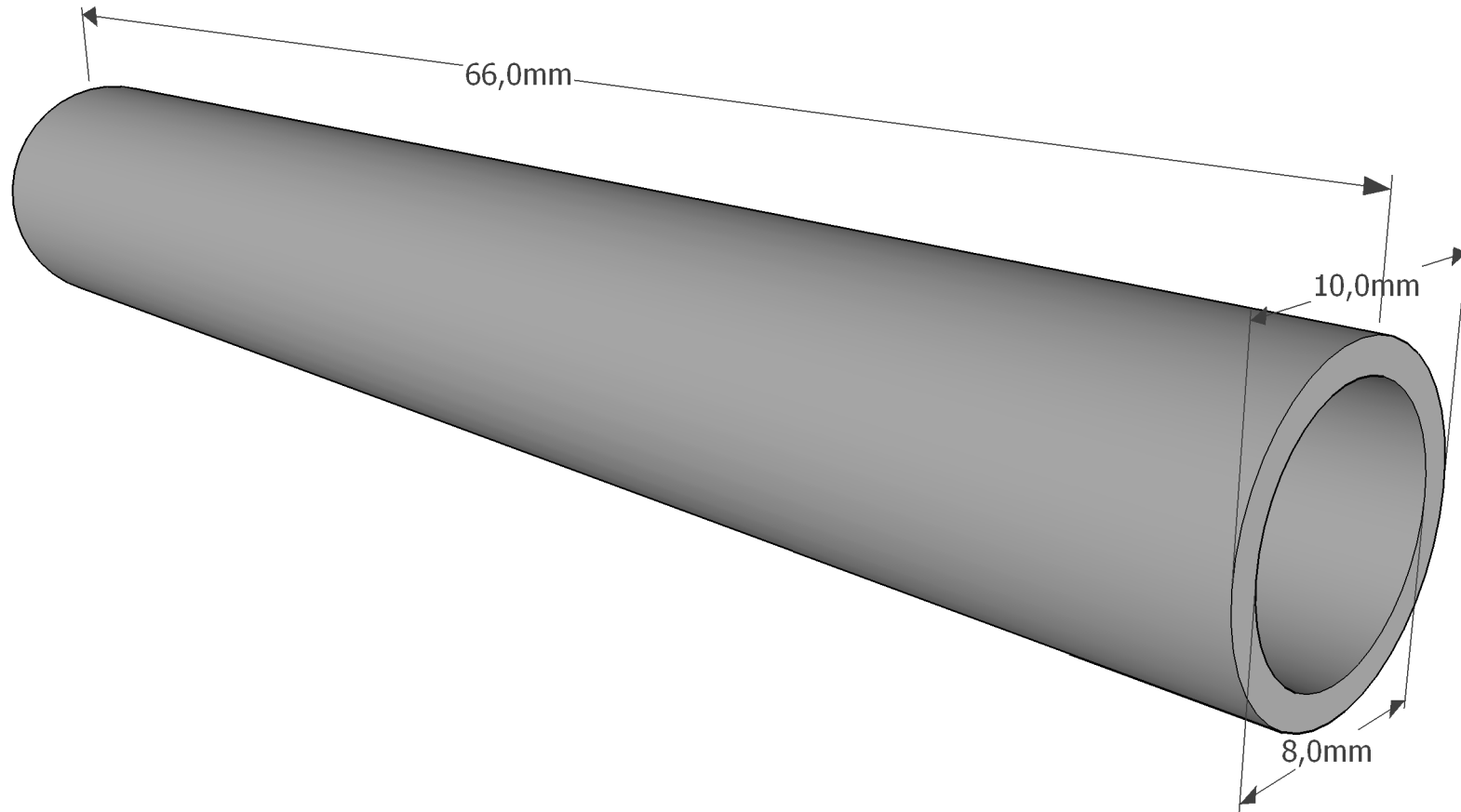
Exploded



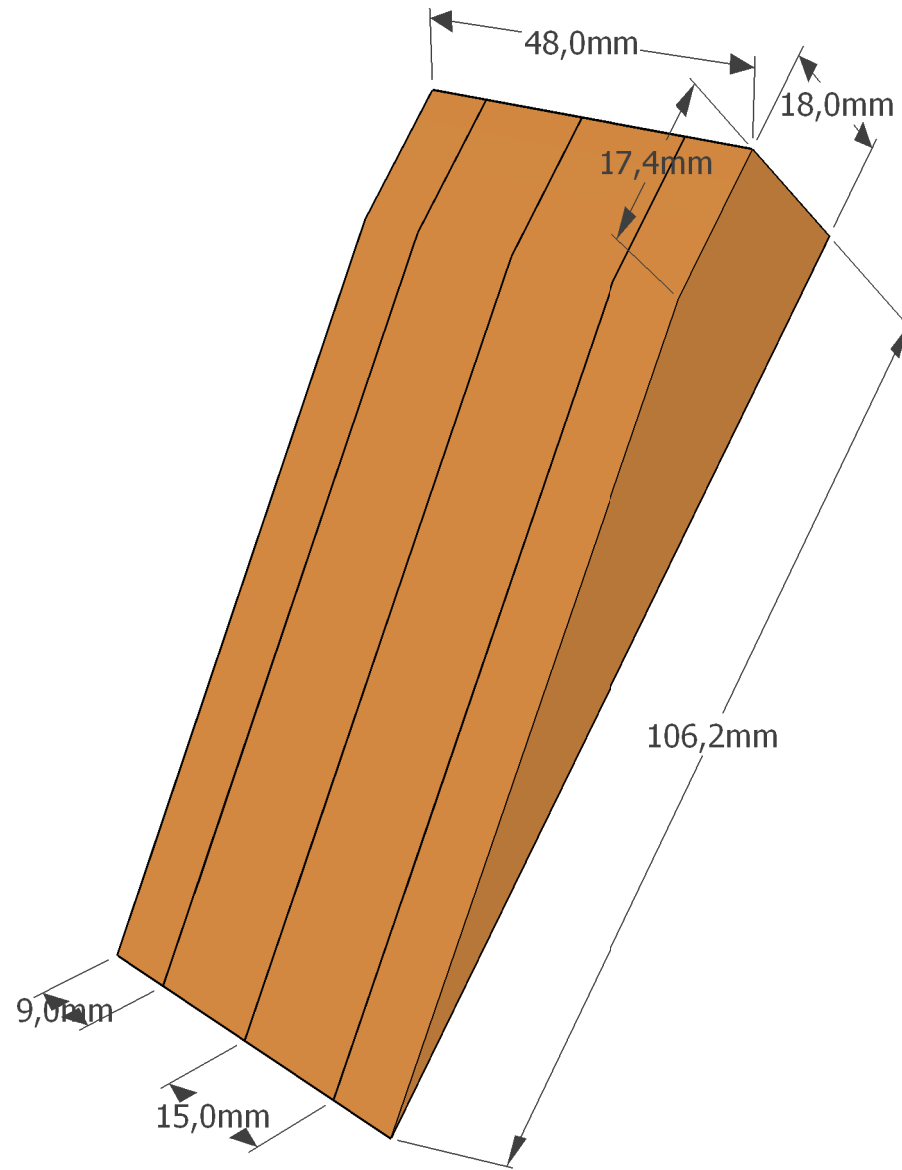
Small Hand Planer ISO



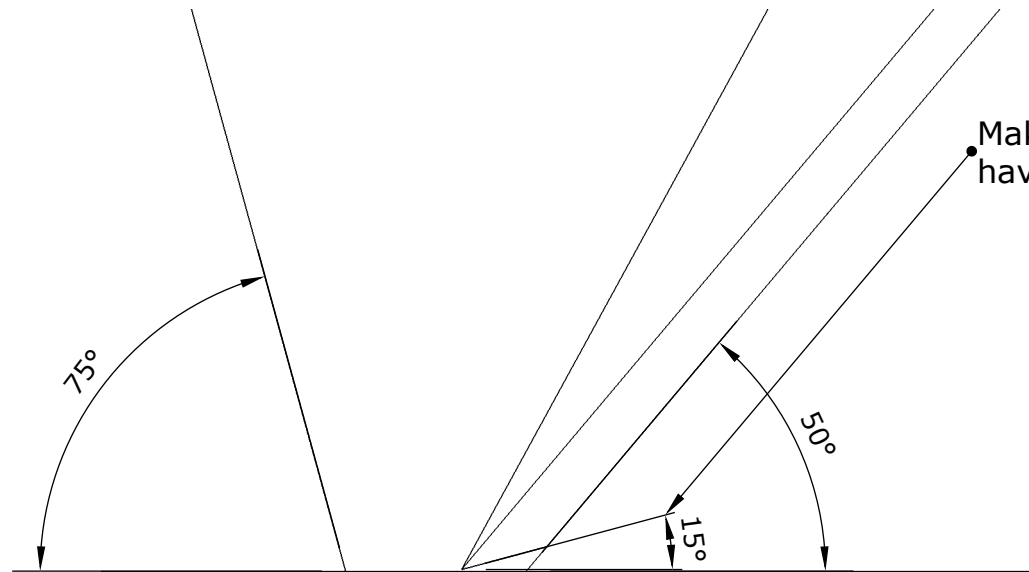
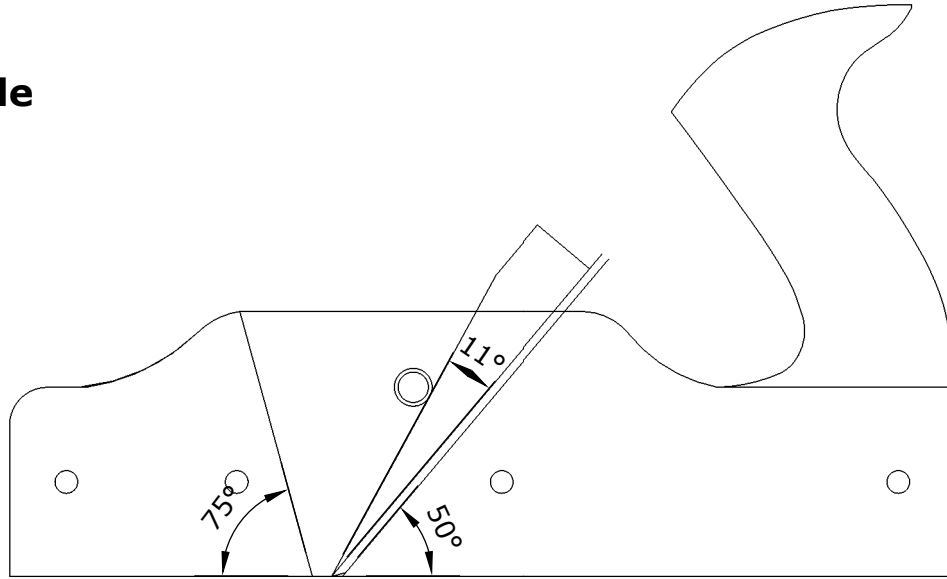
Steel Pipe



Wedge

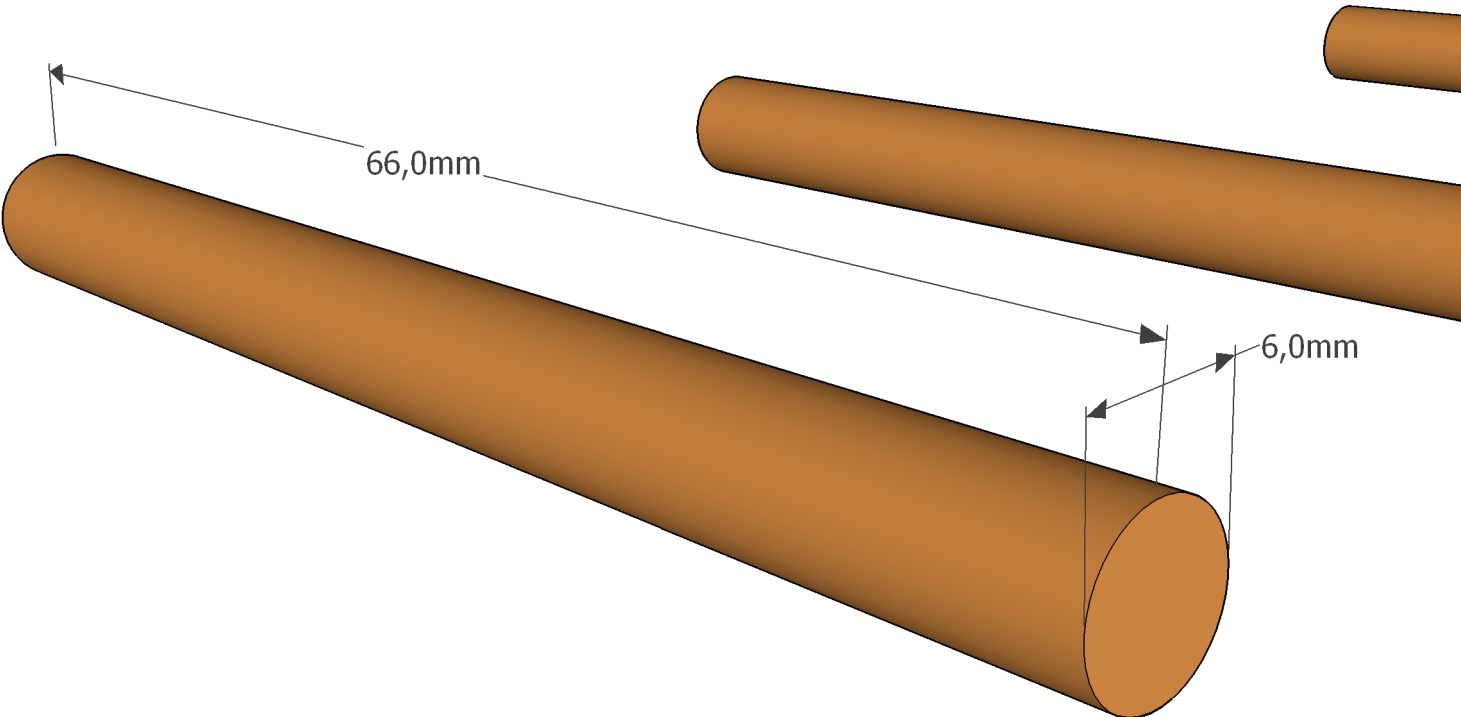


Wireframe 1/2 scale



Make shure the angle of the blade have at least 15 degress inclination.

Wooden Dowels



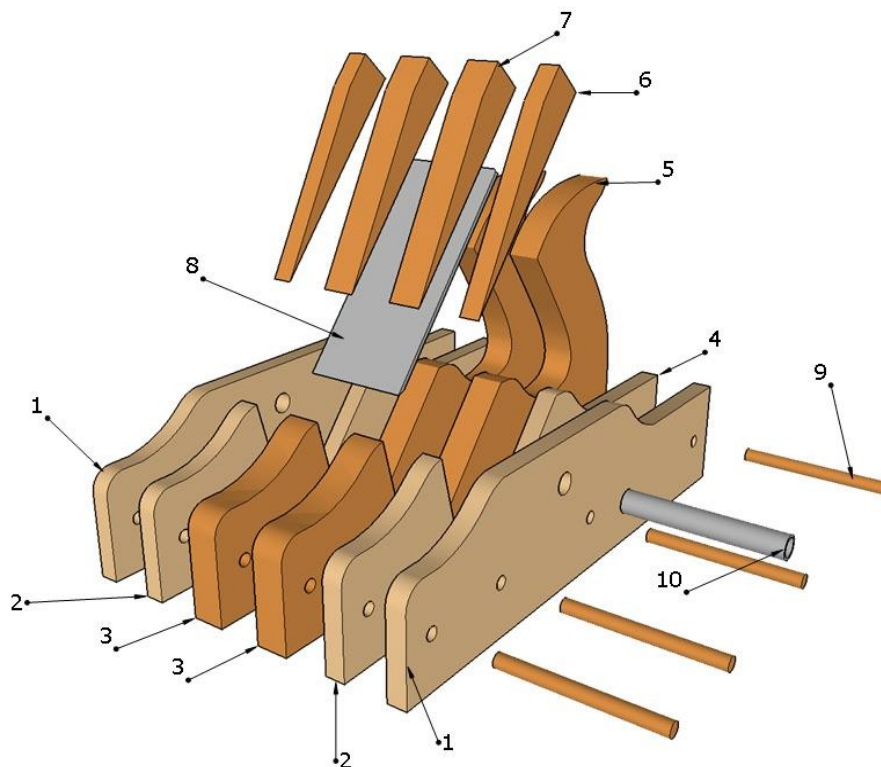
Small hand planer

Materials Needed:

A sheet of 260x200x9mm Hard Plywood
A sheet of 260x170x15mm Hard Plywood

Cutting list:

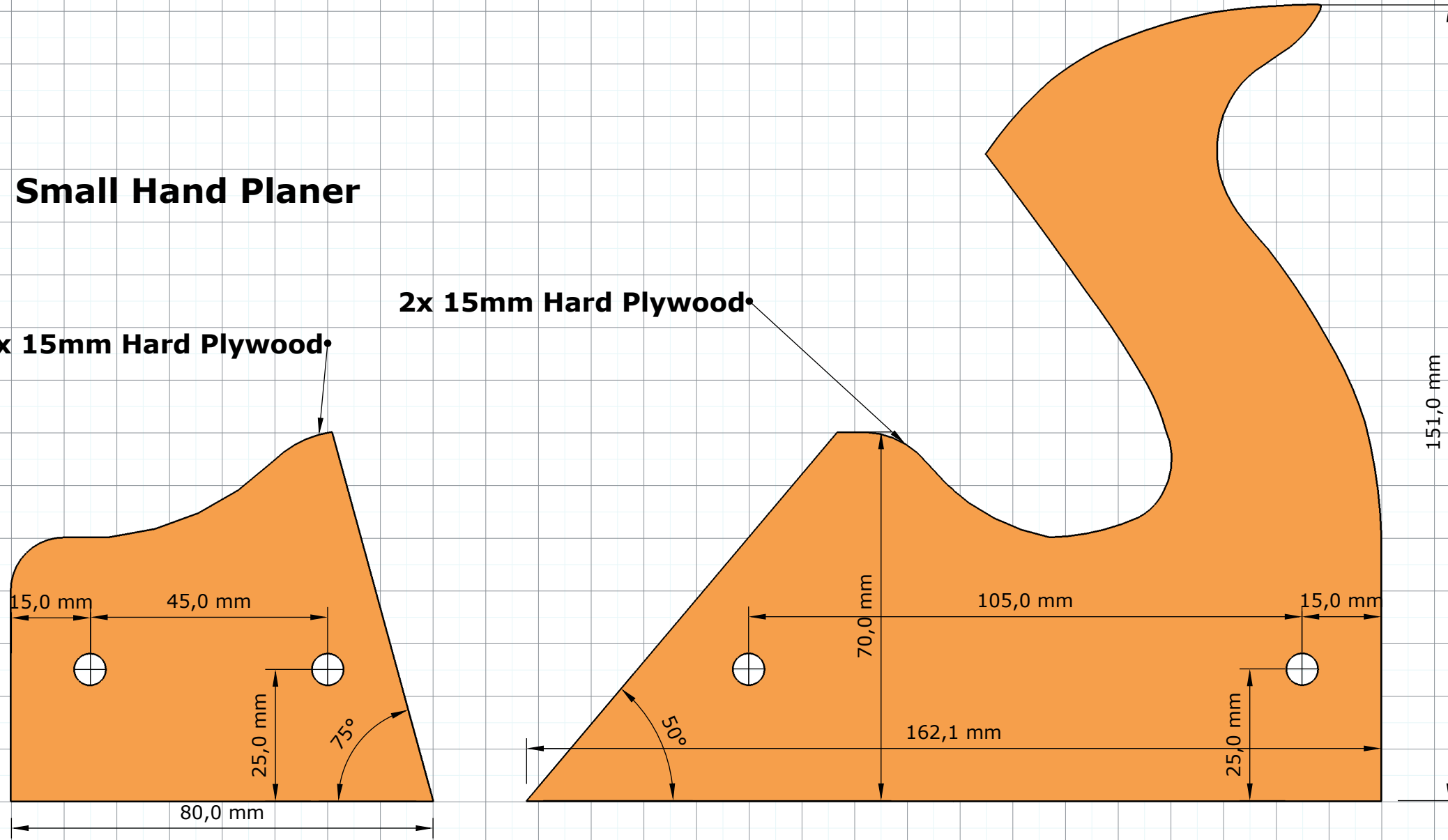
- | | | | |
|-----|----------------|--------------|--------------------|
| 1- | 250x70x9mm | (2Pieces) | Hard Plywood |
| 2- | 80x70x9mm | (2 Pieces) | Hard Plywood |
| 3- | 80x70x15mm | (2 Pieces) | Hard Plywood |
| 4- | 162,1x70x9mm | (2Pieces) | Hard Plywood |
| 5- | 162,1x151x15mm | (2 Pieces) | Hard Plywood |
| 6- | 106,2x18x9mm | (2 Pieces) | Hard Plywood |
| 7- | 106,2x18x15mm | (2 Pieces) | Hard Plywood |
| 8- | 111,5x60x2,2mm | (Blade) | Recycled Saw Blade |
| 9- | 66x6mm | (4xDowels) | Wood Dowels |
| 10- | 66x10mm | (Stell Pipe) | |



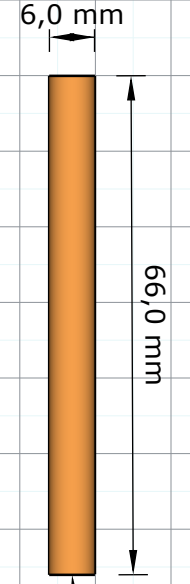
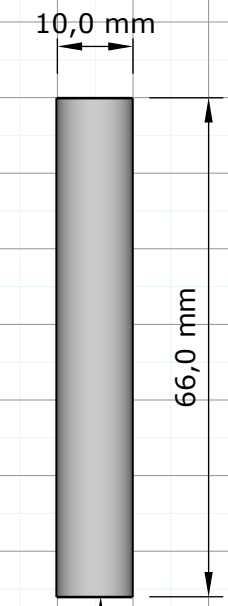
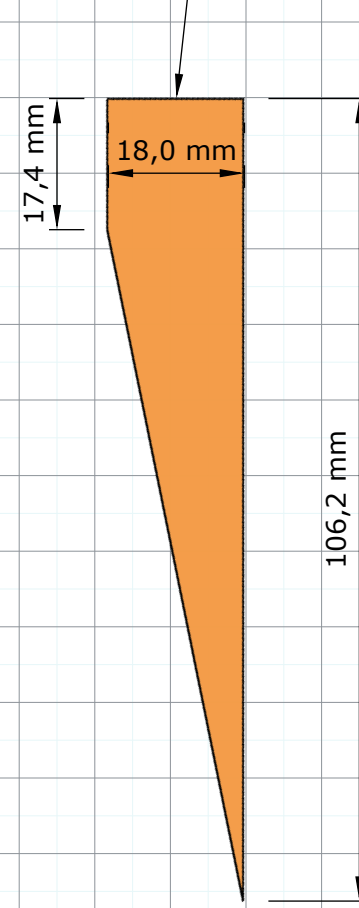
Small Hand Planer

2x 15mm Hard Plywood

2x 15mm Hard Plywood



2x 15mm/2x9mm Hard Plywood

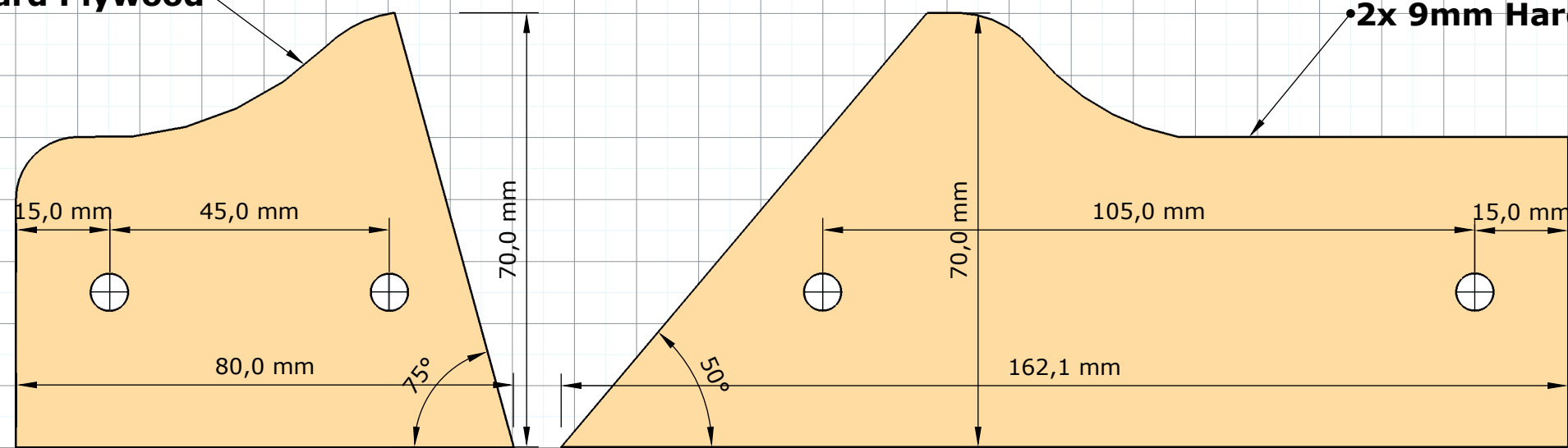


Steel Pipe

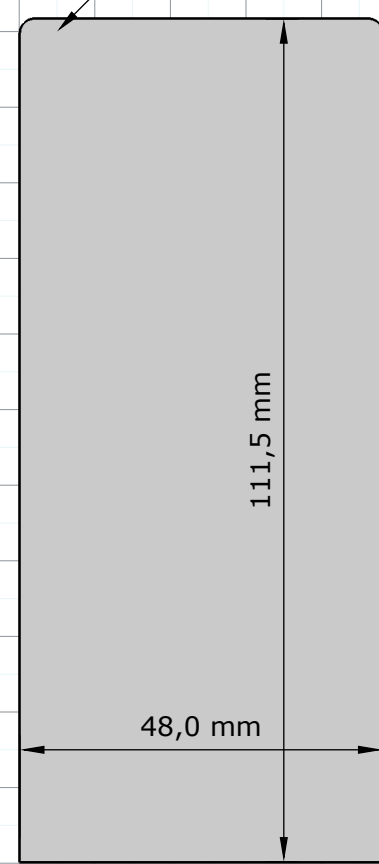
4x Wooden Dowel

2x 9mm Hard Plywood

2x 9mm Hard Plywood



2.2mm Recycled Saw Blade



2x 9mm Hard Plywood

