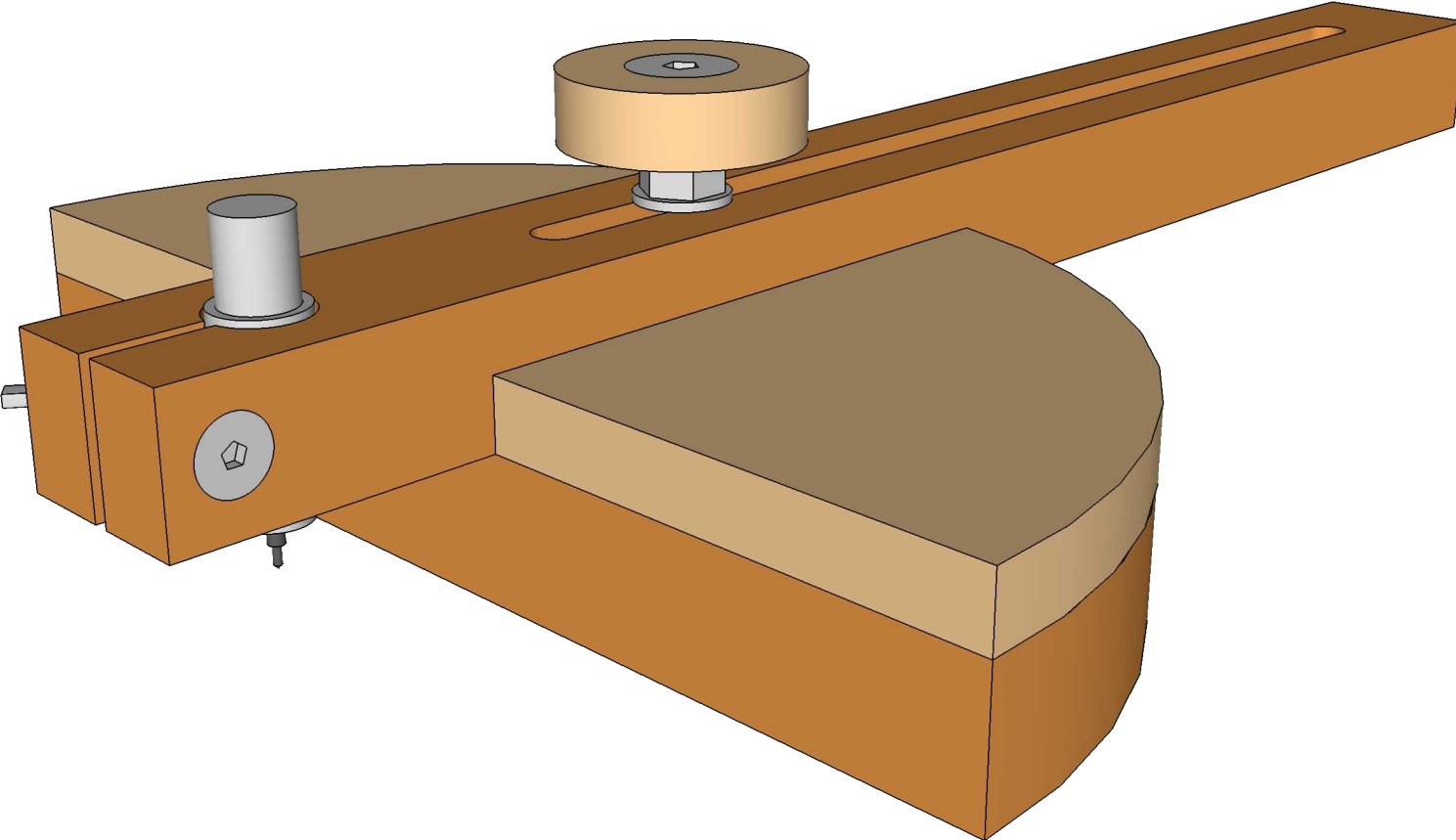
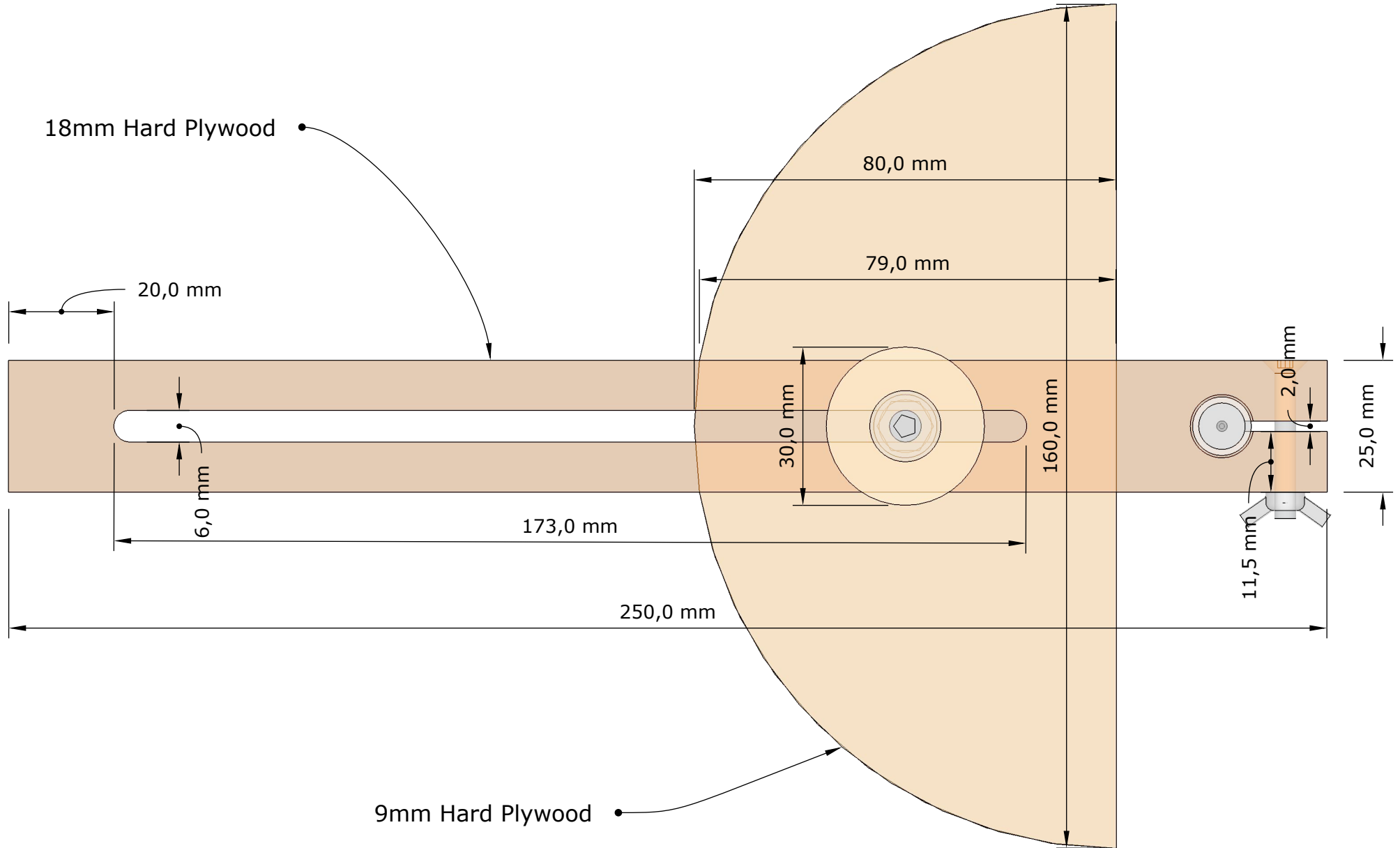


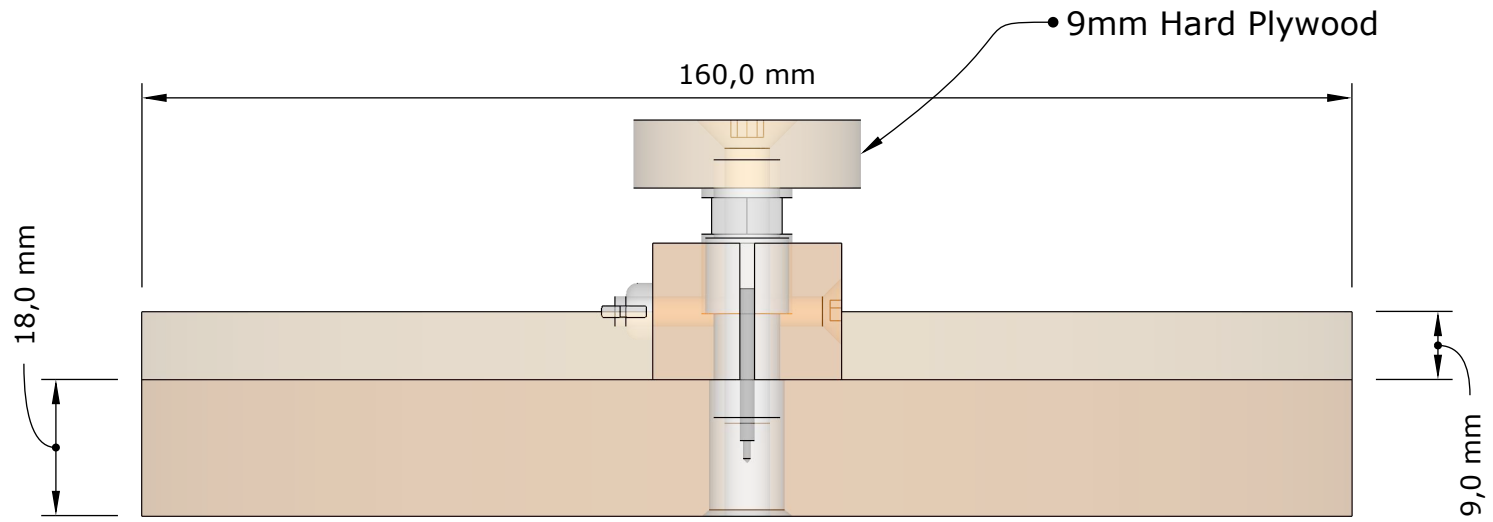
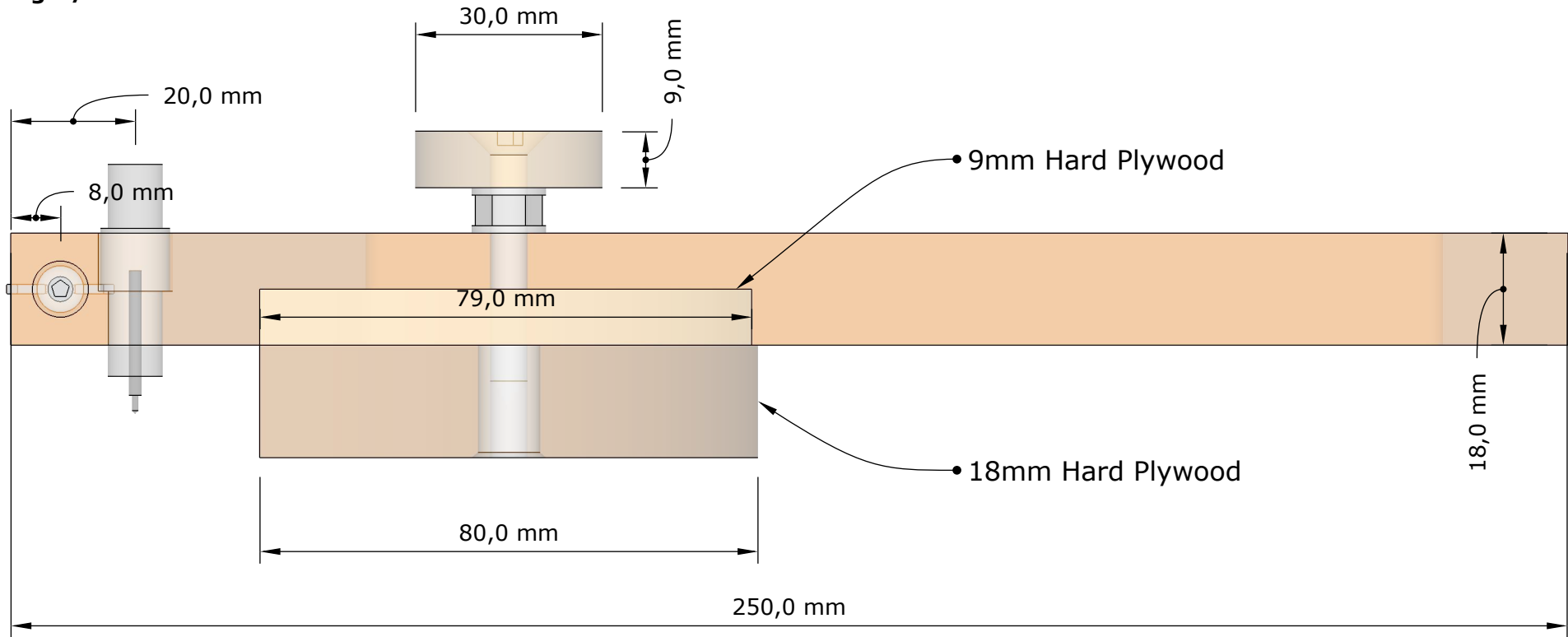
Marking Gauge & Beam Compass



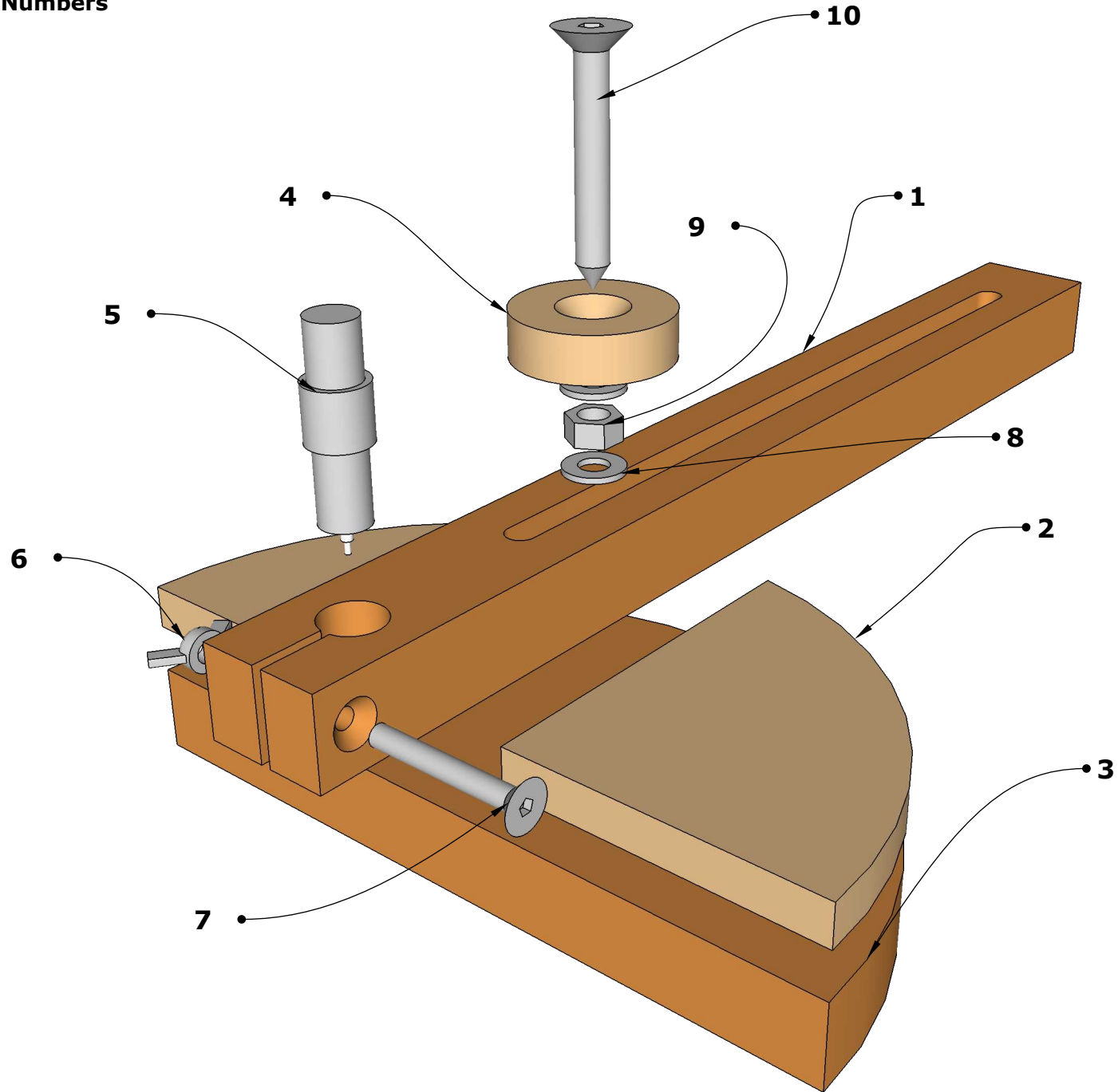
Top Full Scale



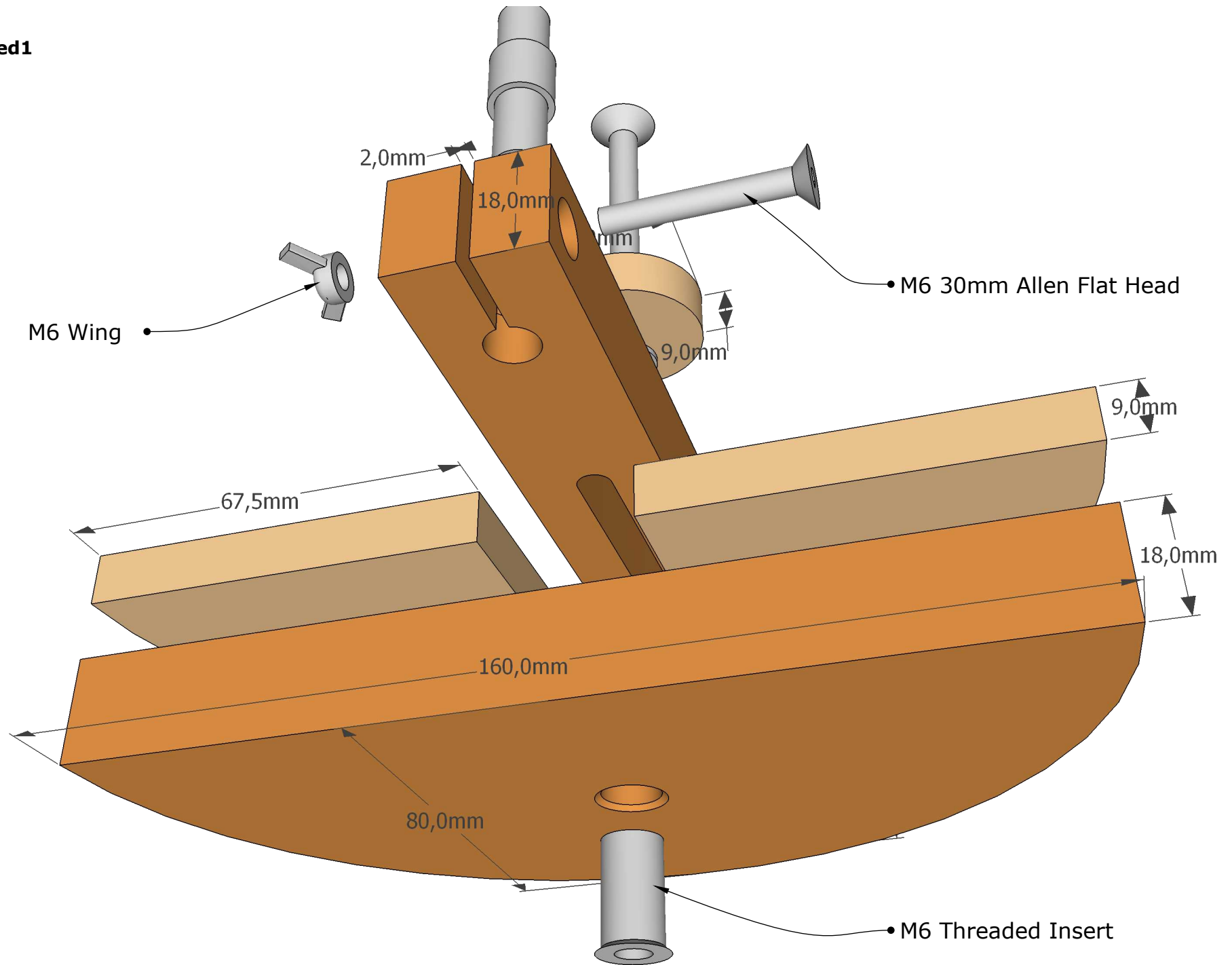
Right/Front Full Scale



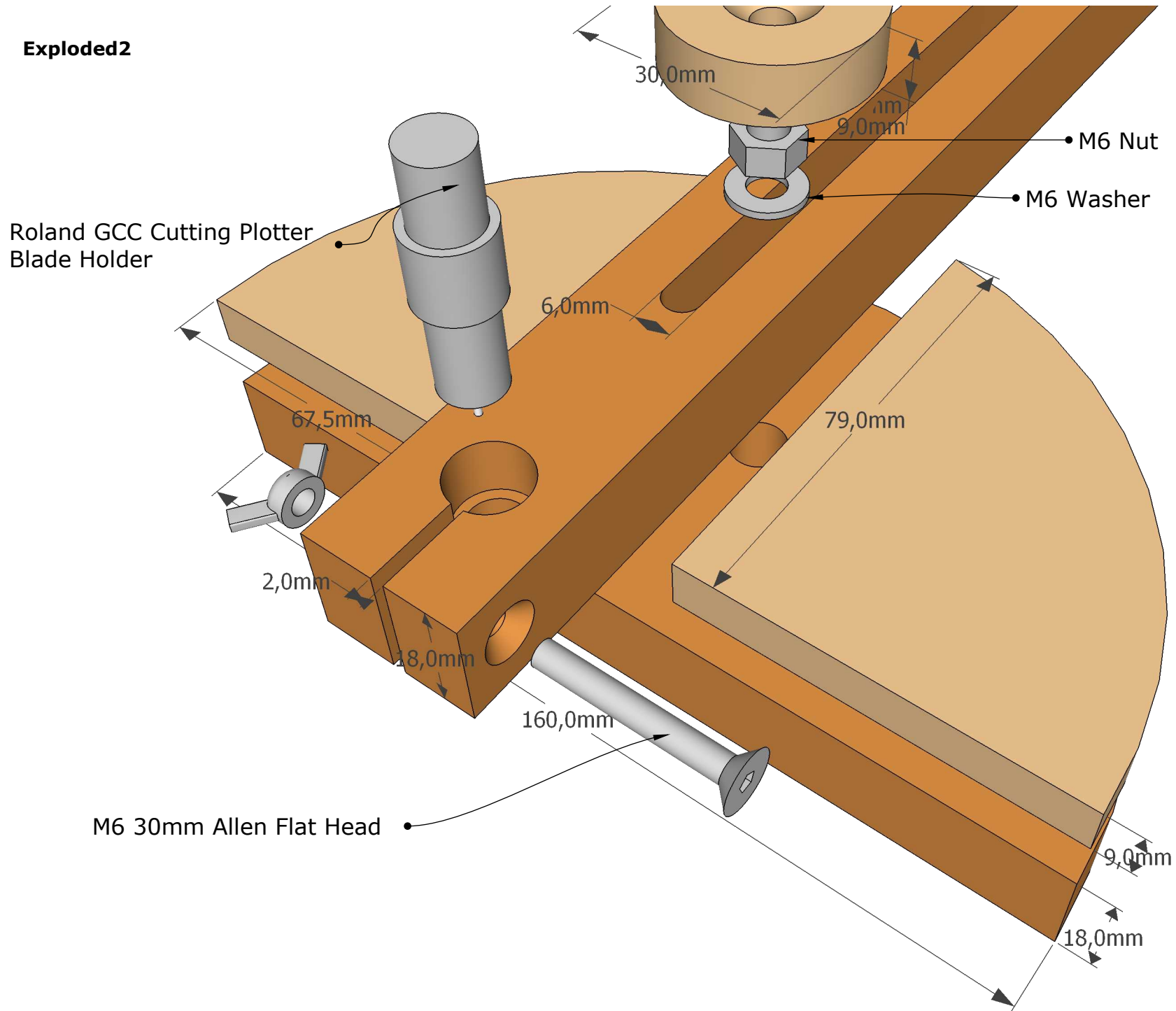
ISO Exploded Numbers



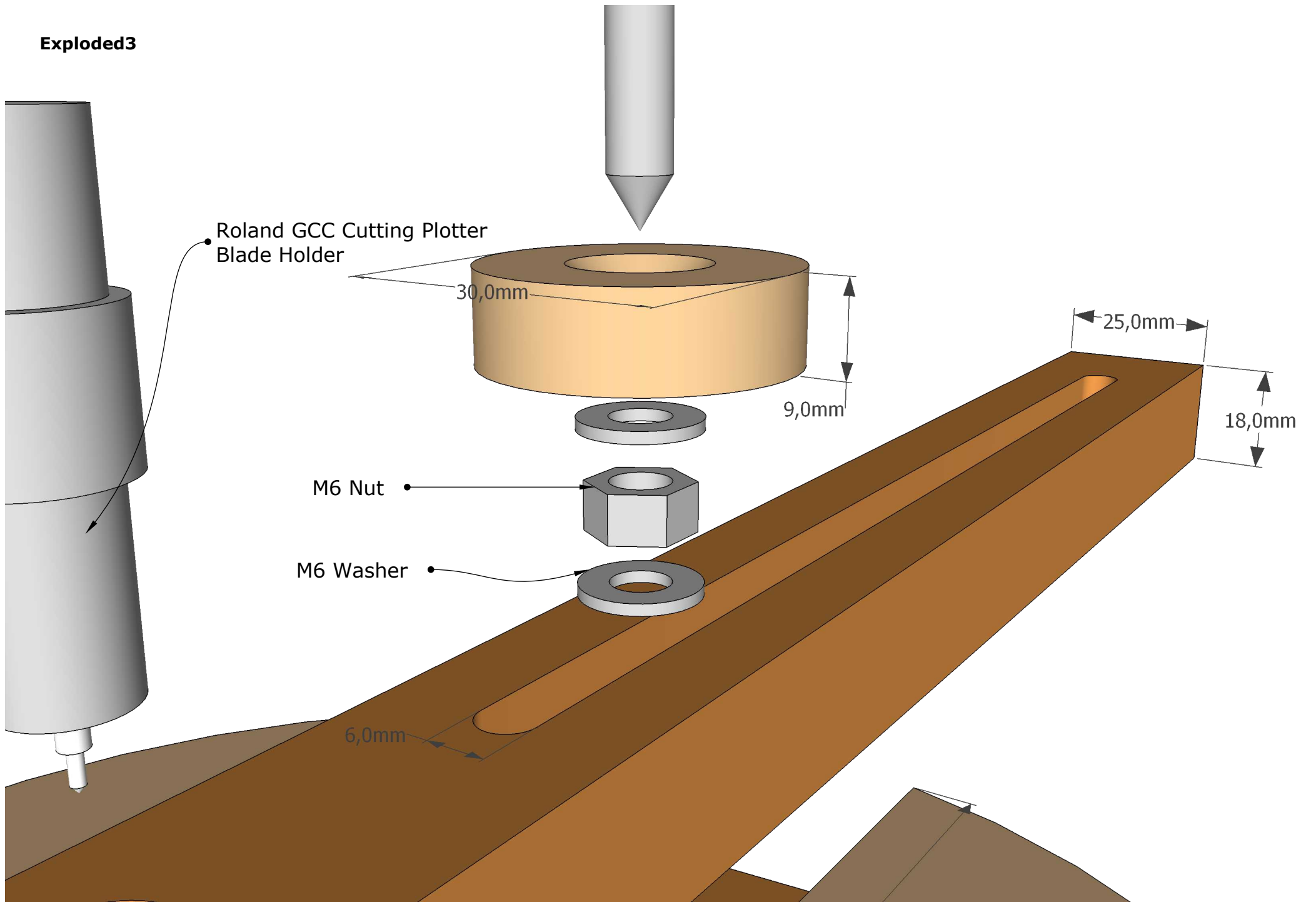
Exploded1



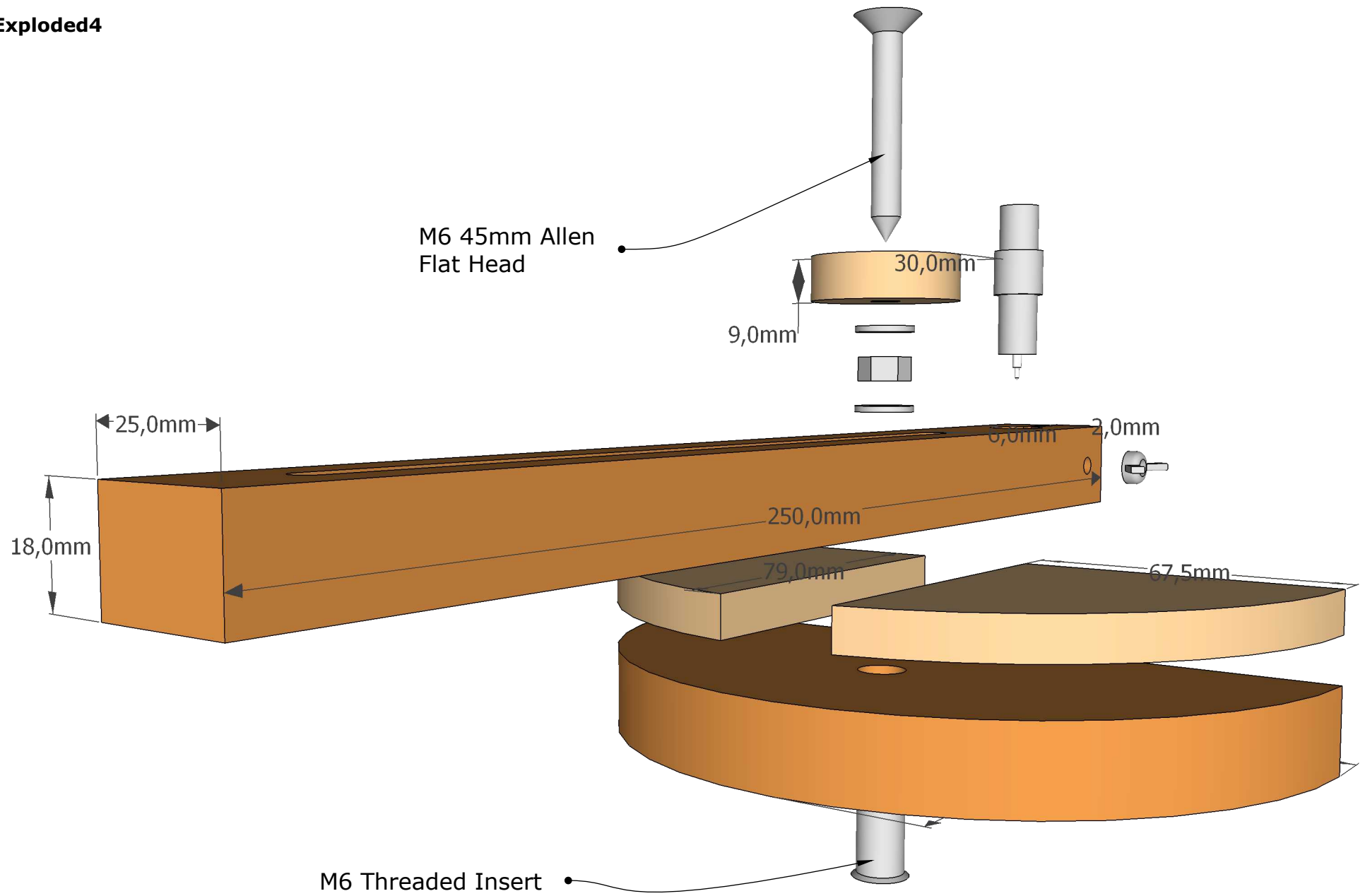
Exploded2



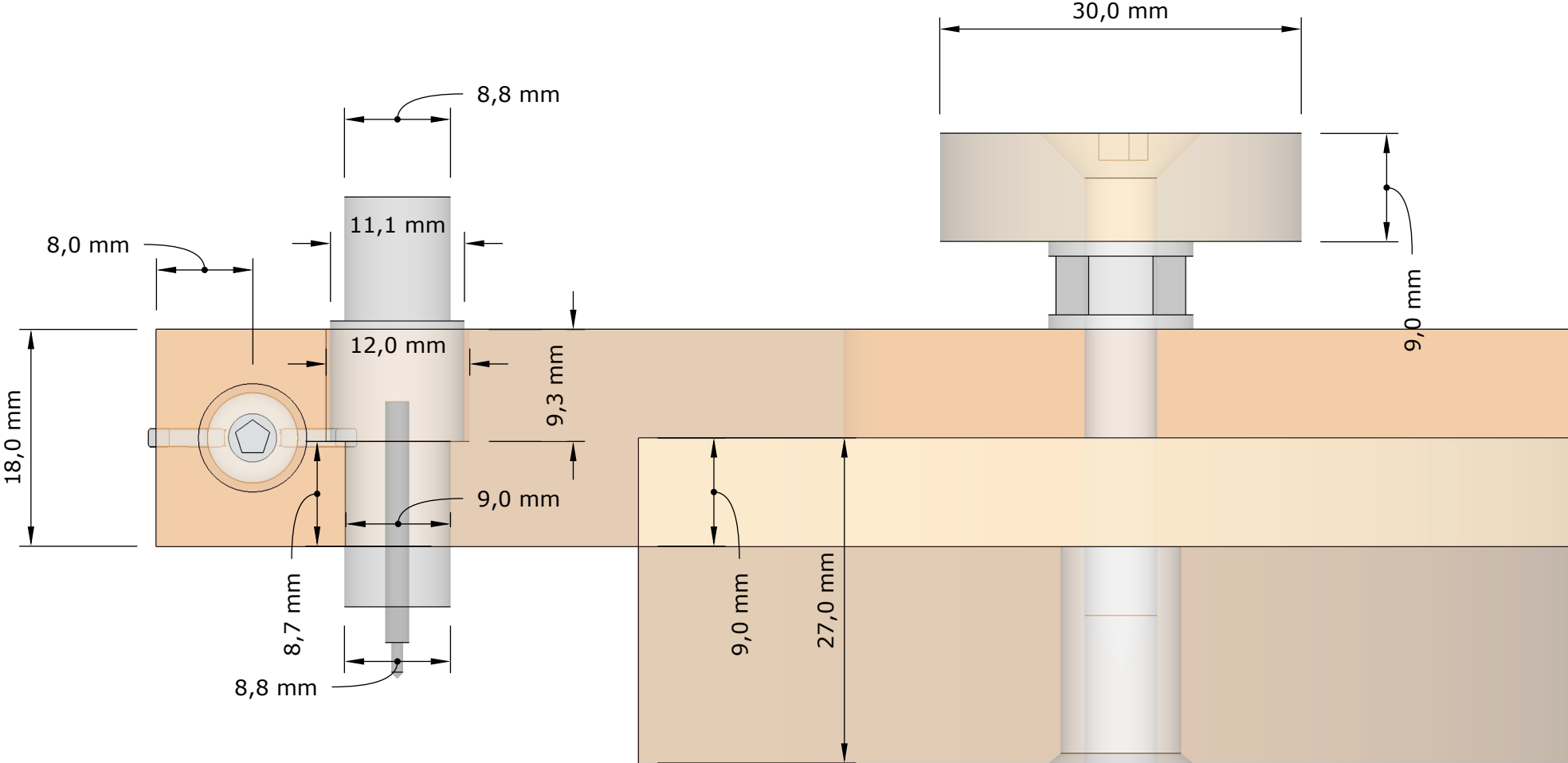
Exploded3



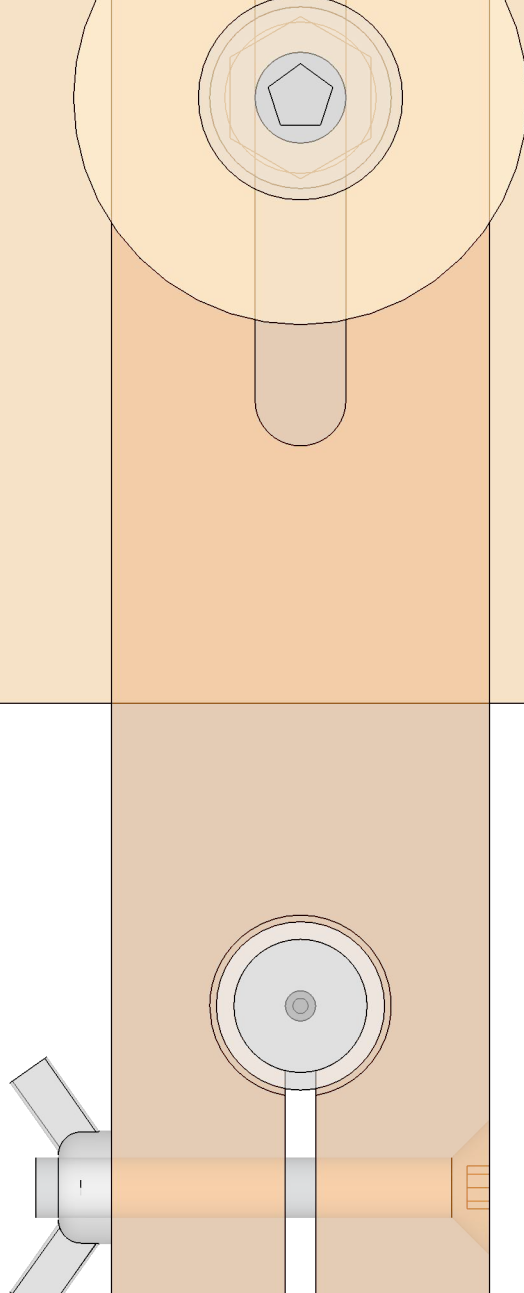
Exploded4



Detail1 2/1 Scale



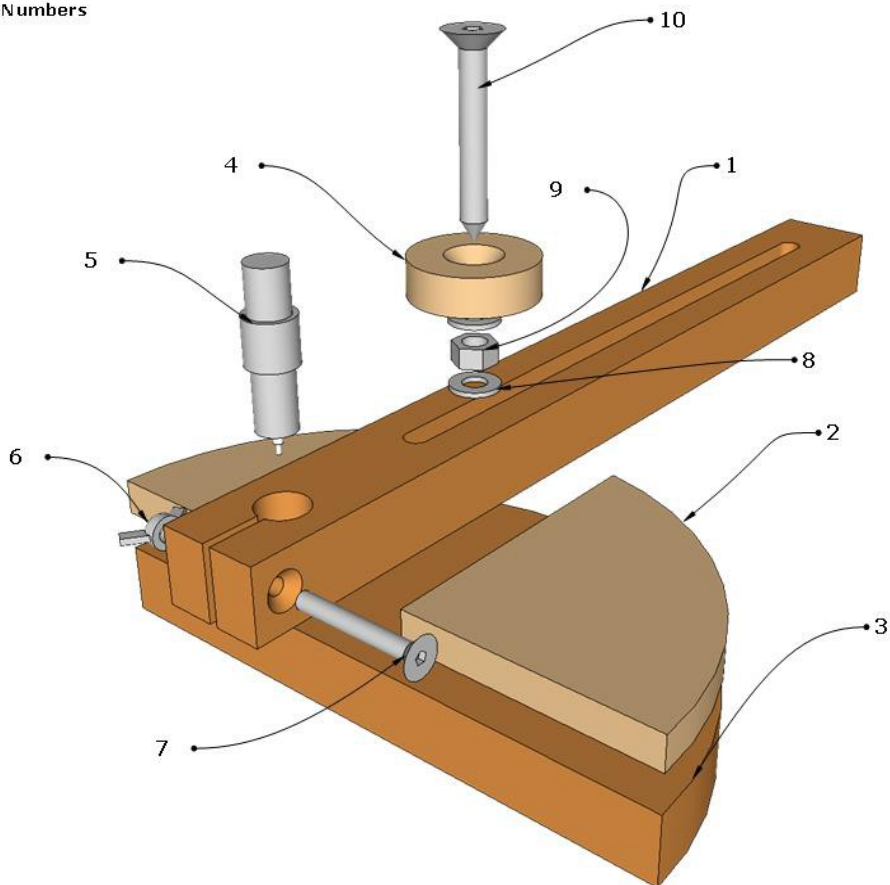
Detail1 2/1 Scale



Marking Gauge & Beam Compass

- 1- 250 x 25 x 18mm (Hard Plywood)
- 2- 79 x 67,5 x 9mm (2 Pieces Hard Plywood)
- 3- 160 x 80 x 18mm (Hard Plywood)
- 4- 30 x 30 x 9mm (Hard Plywood)
- 5- Roland GCC Cutting Plotter Blade Holder
- 6- M6 Wing (2 Pieces)
- 7- M6 30mm Allen Flat Head
- 8- M6 Washers (2 Pieces)
- 9- M6 Nut
- 10- M6 45mm Allen Flat Head

ISO Exploded Numbers



Printable Template

