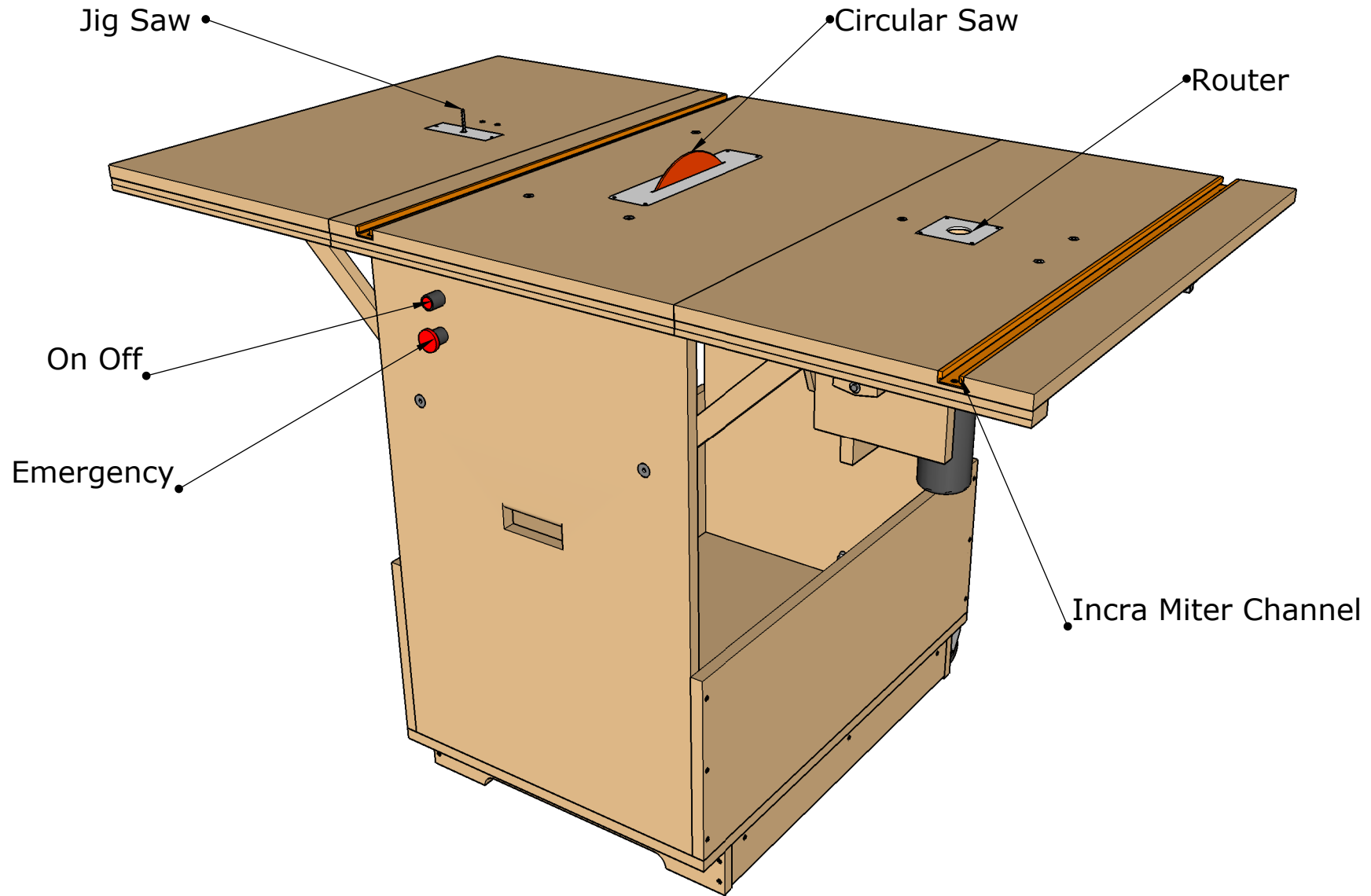


PortableWorkshop ISO

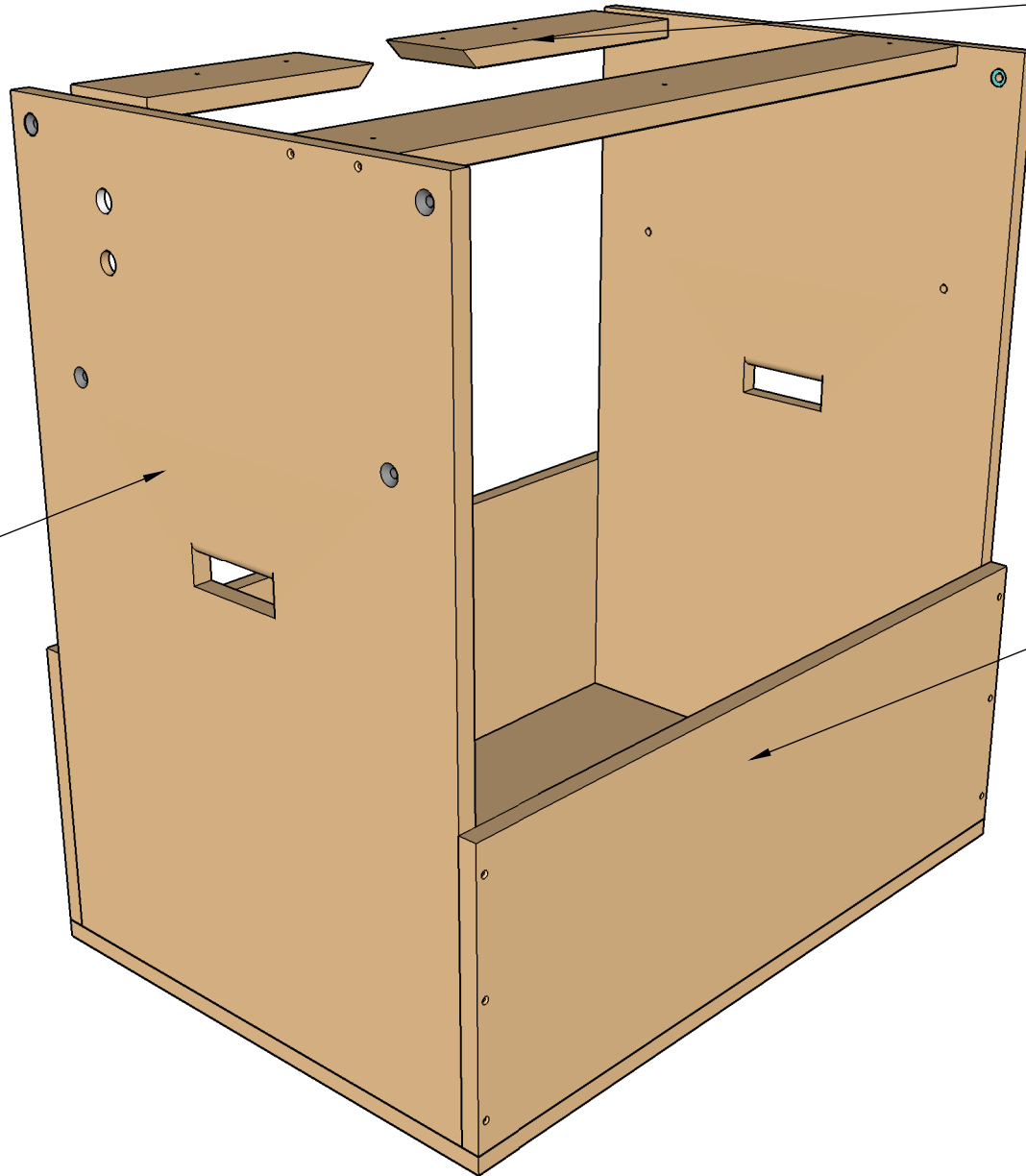


Cabinet ISO

All hard plywood
18mm

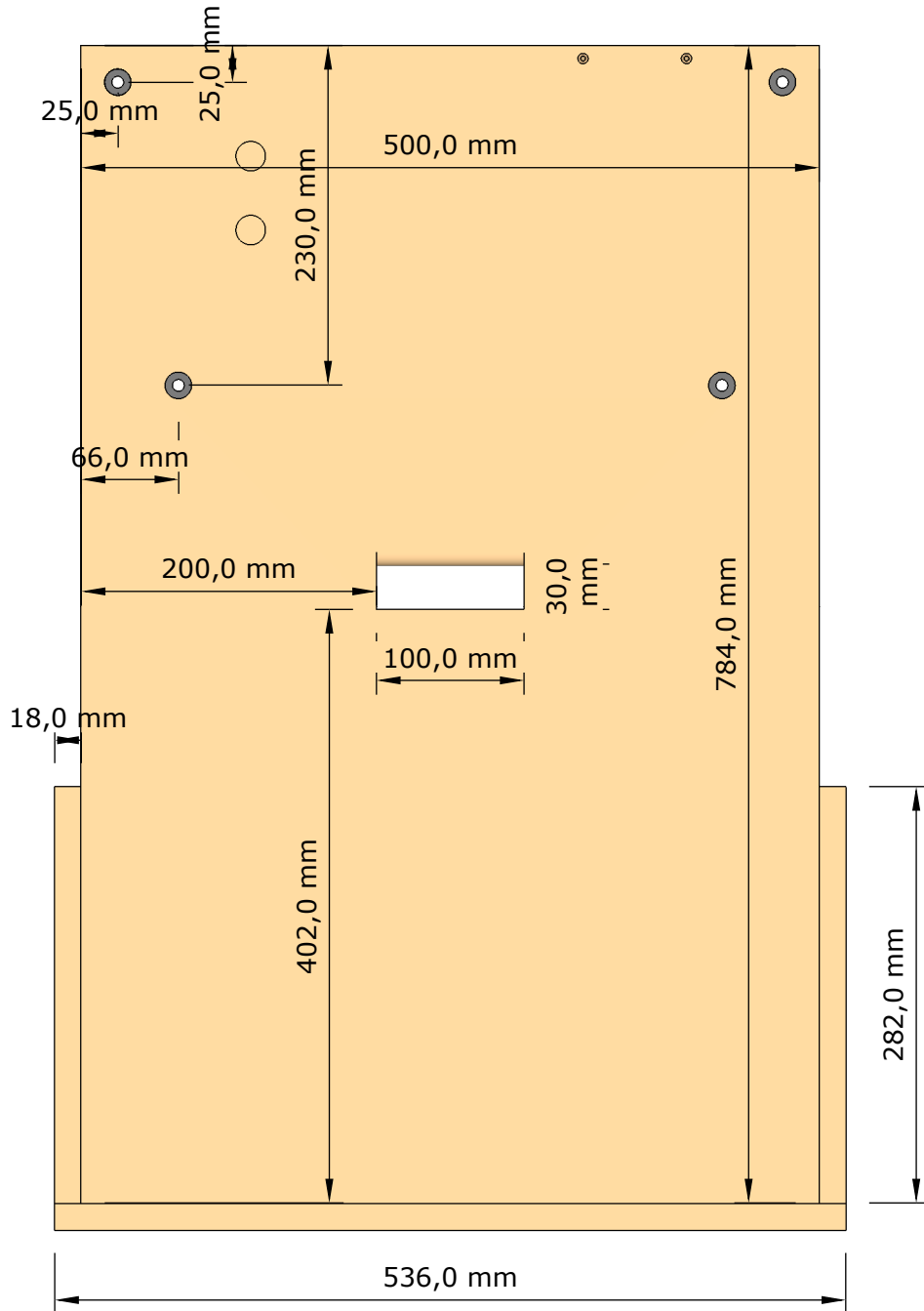
All hard plywood
18mm

All hard plywood
18mm

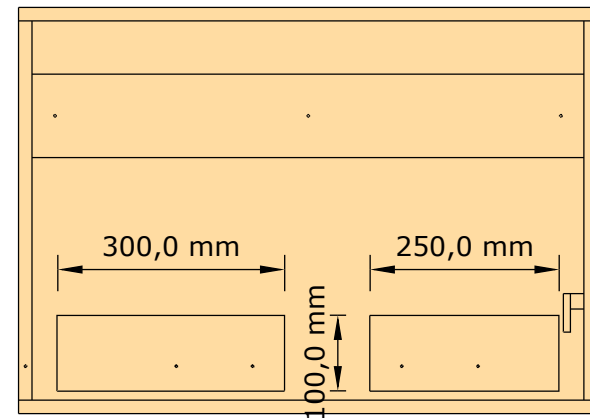
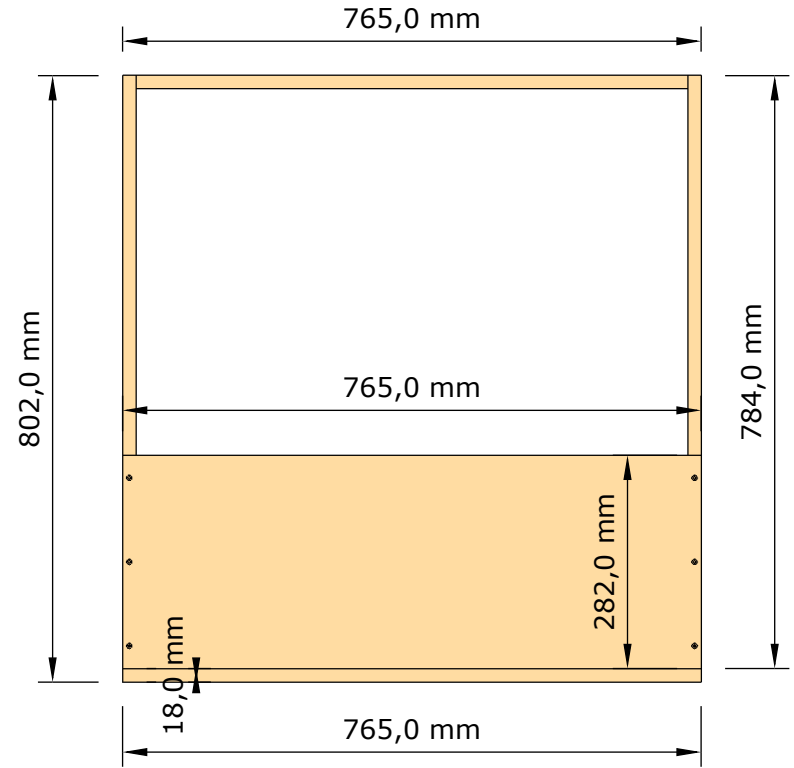


Cabinet Views

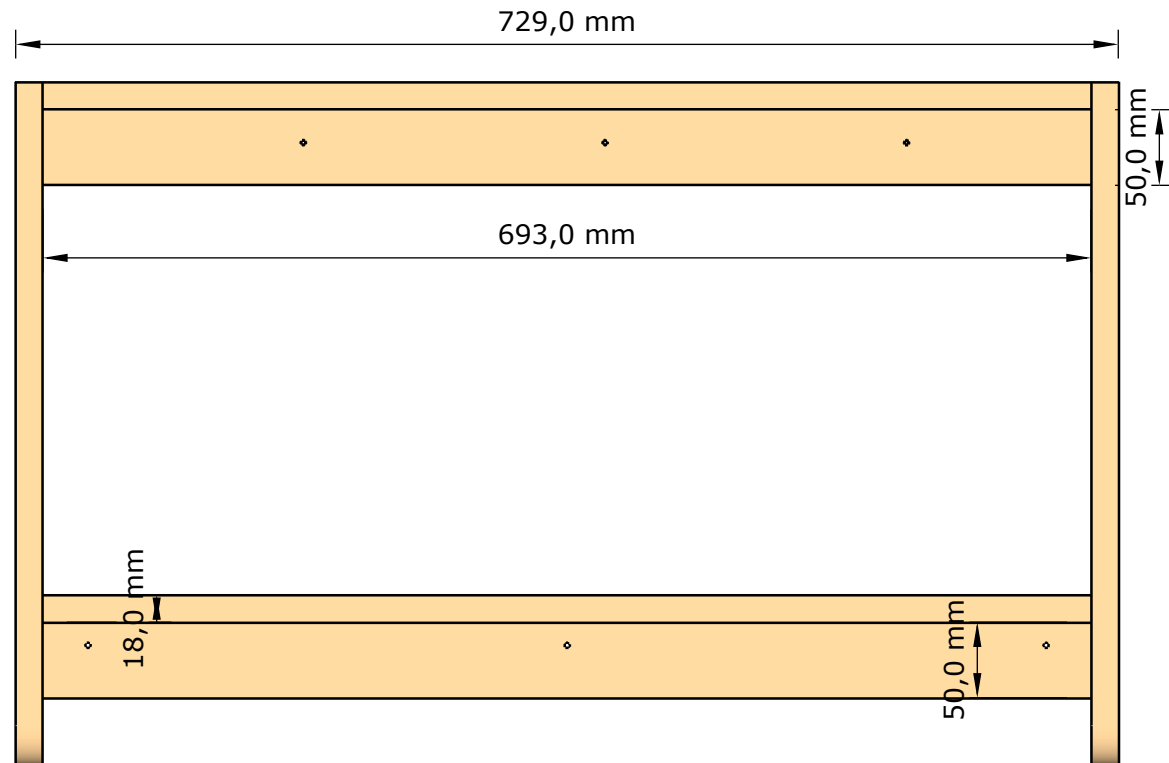
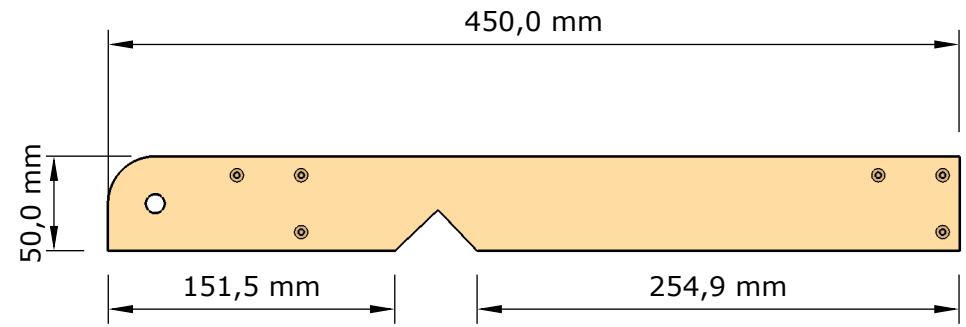
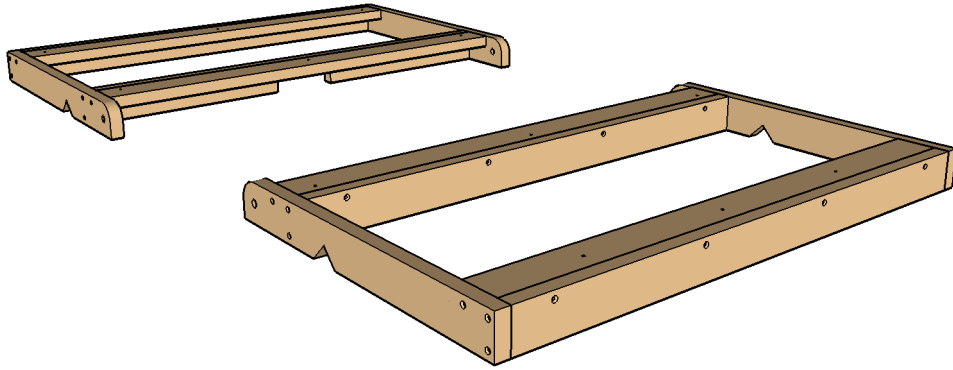
1/5 Scale



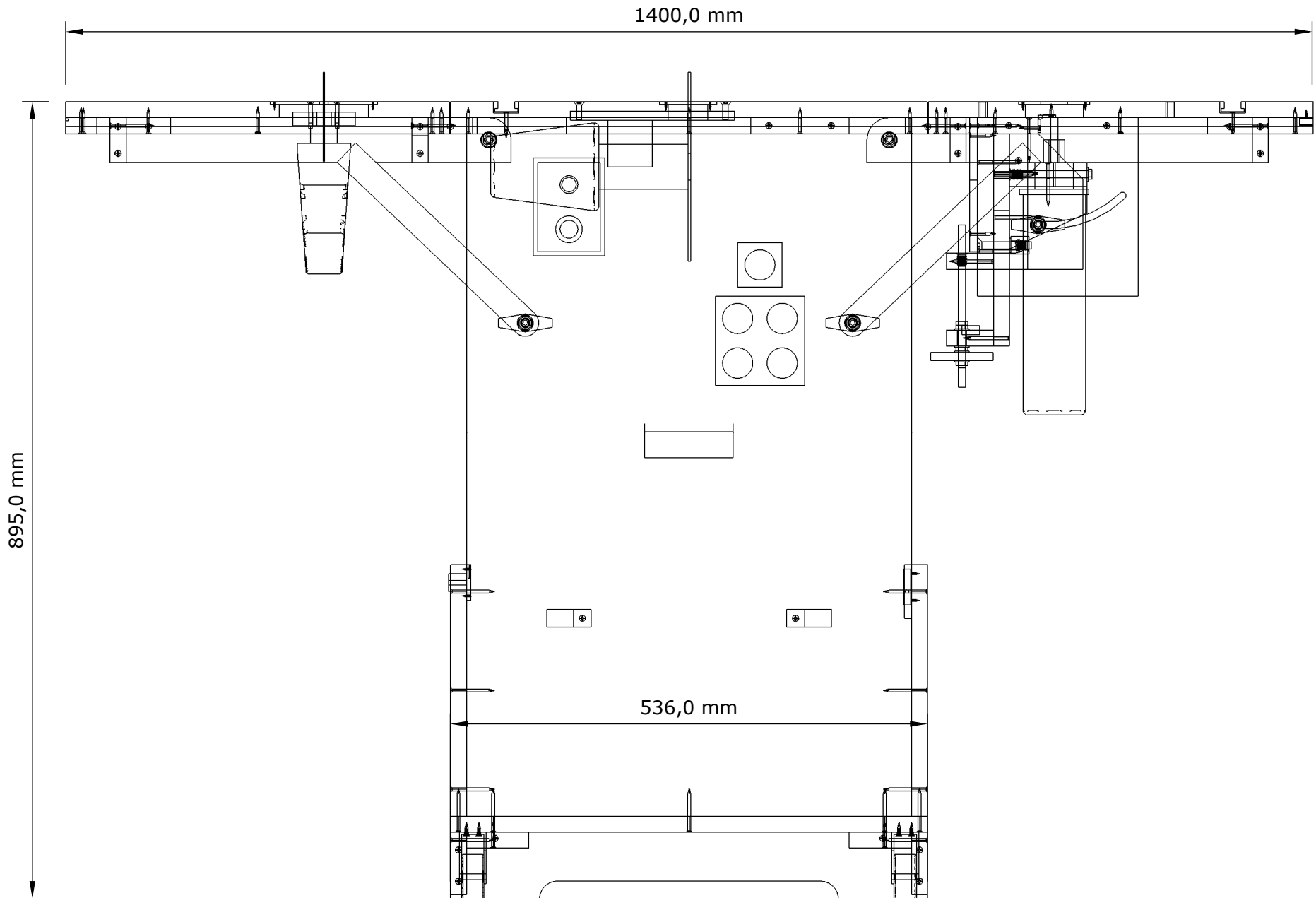
1/10 Scale



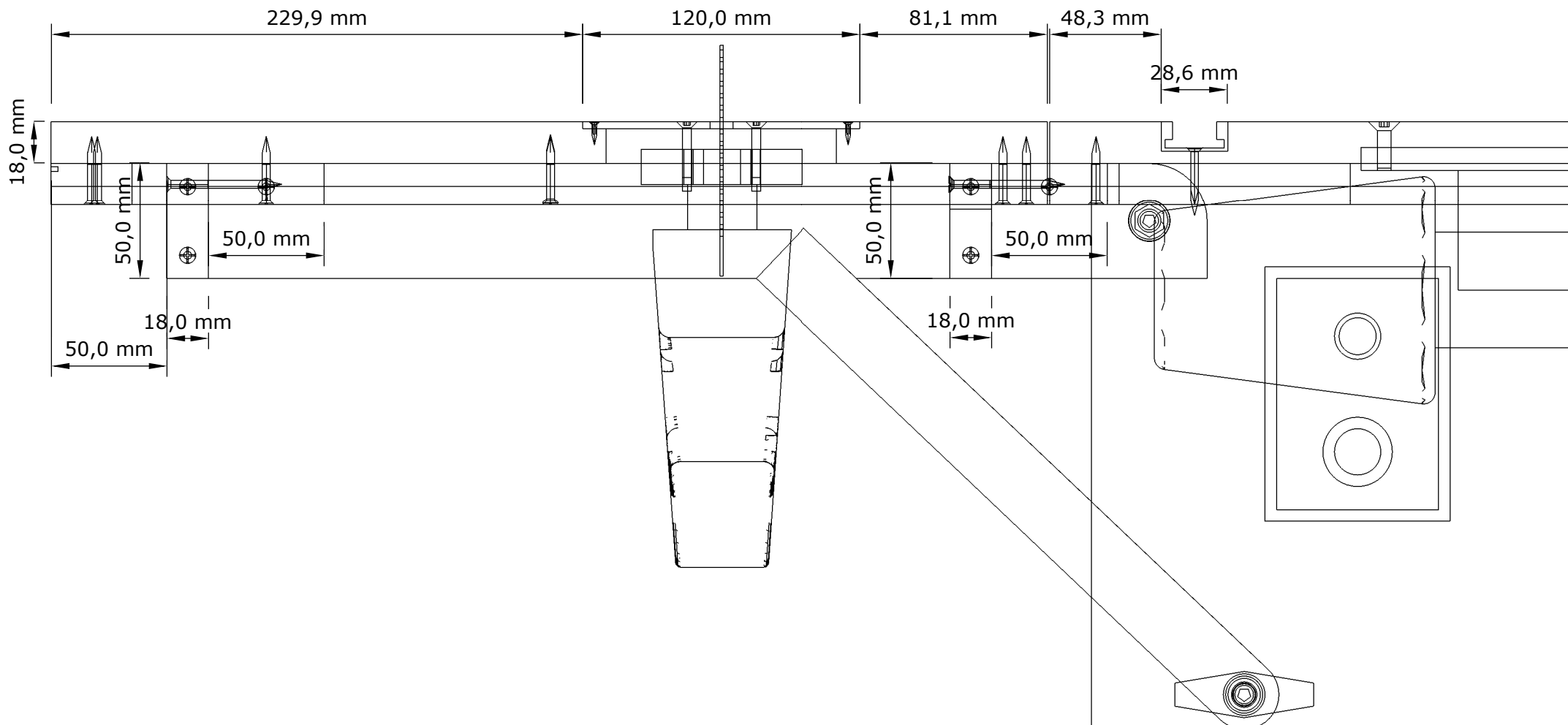
Frames Views



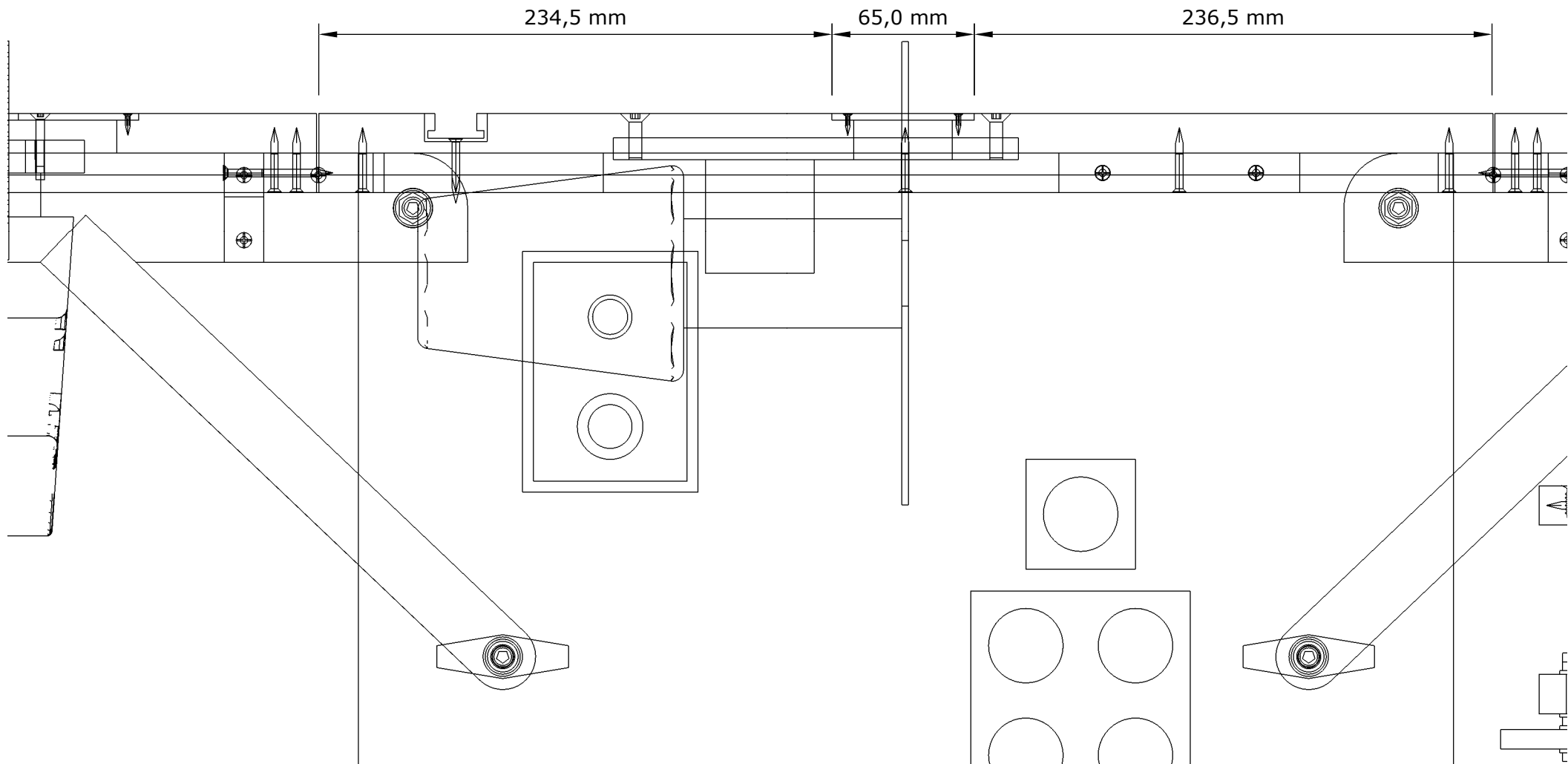
Main Front Wireframe 1/6 Scale



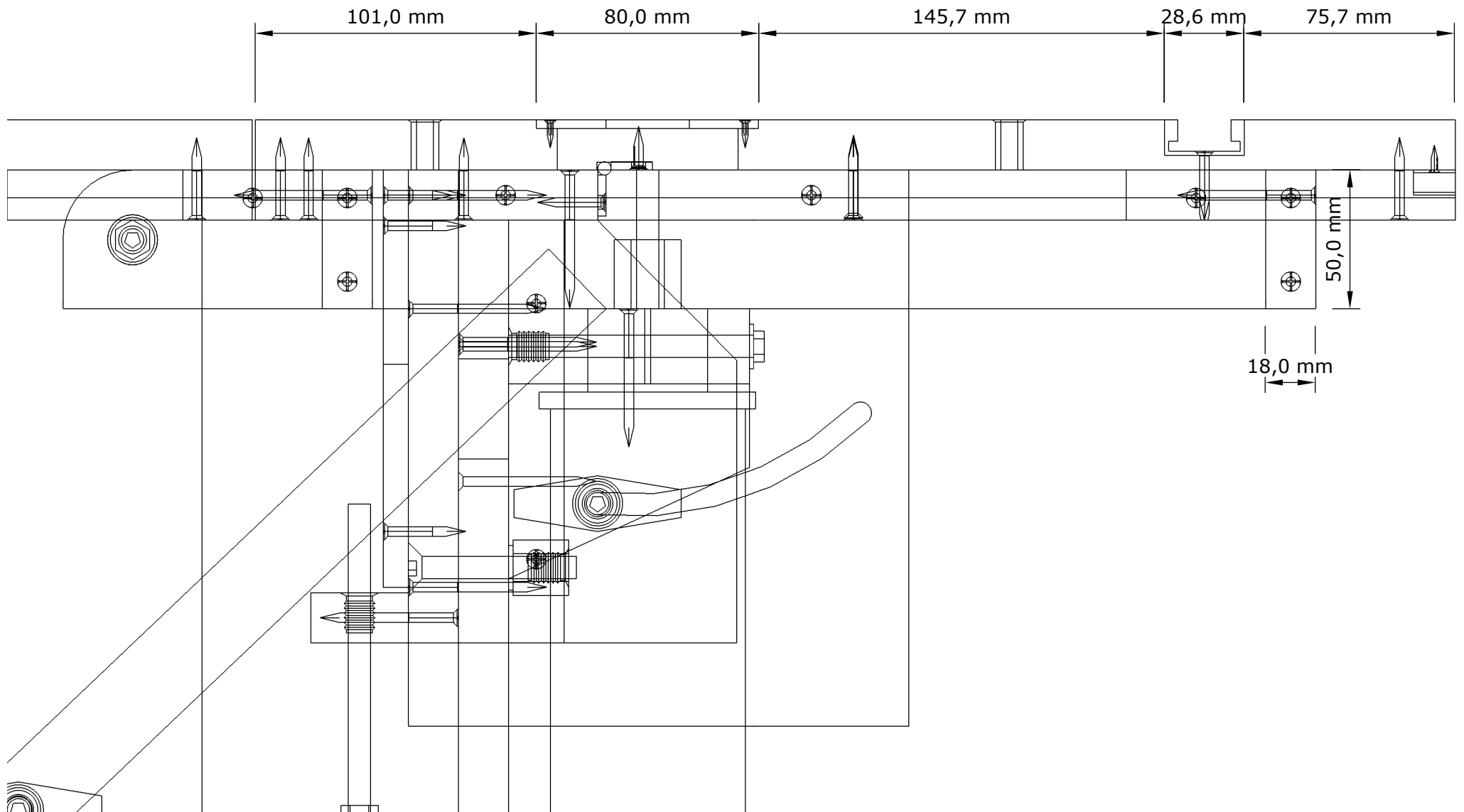
Main Front Wireframe2



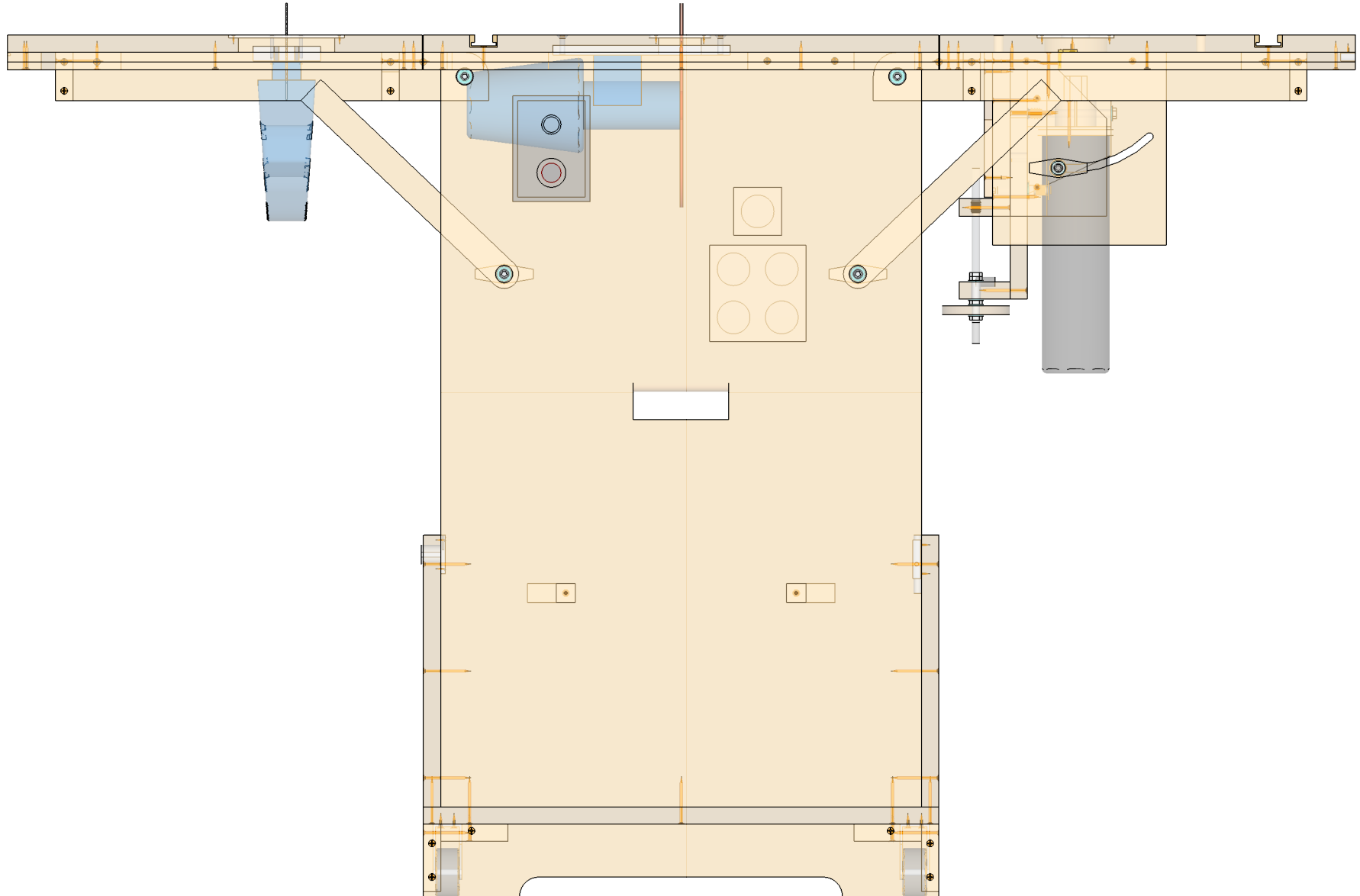
Main Front Wireframe3



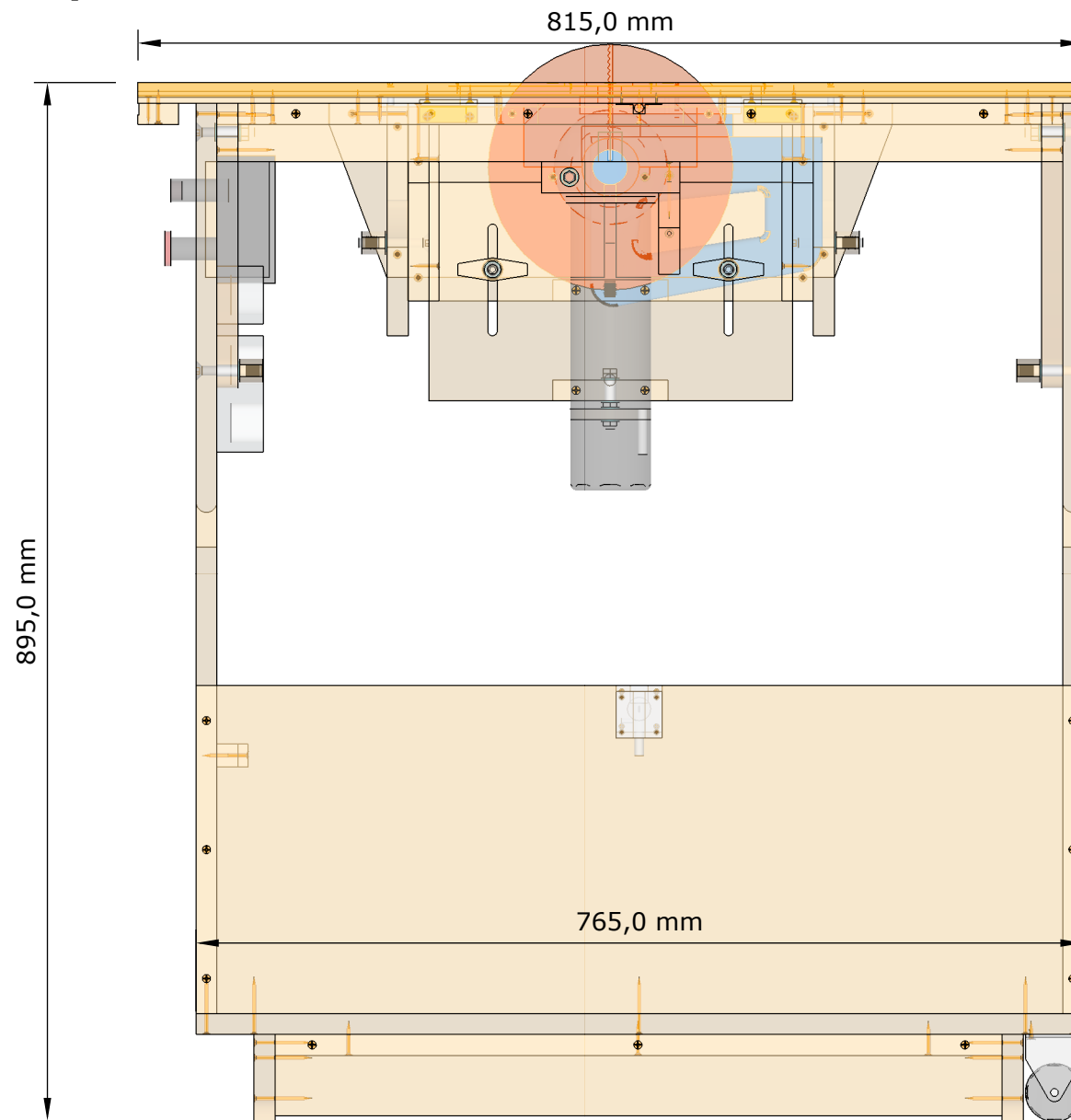
Main Front Wireframe4



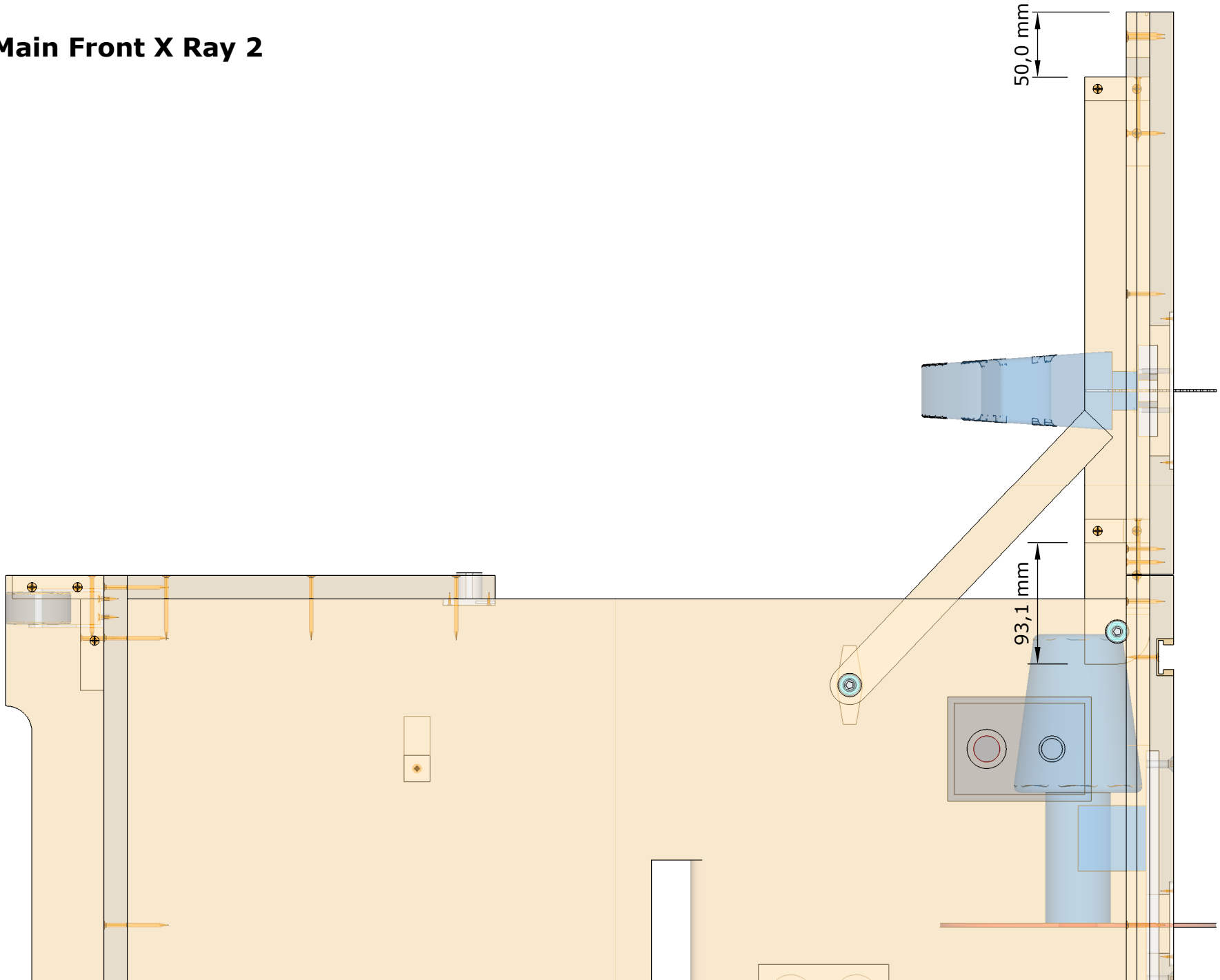
Main Front X Ray 1/6 Scale



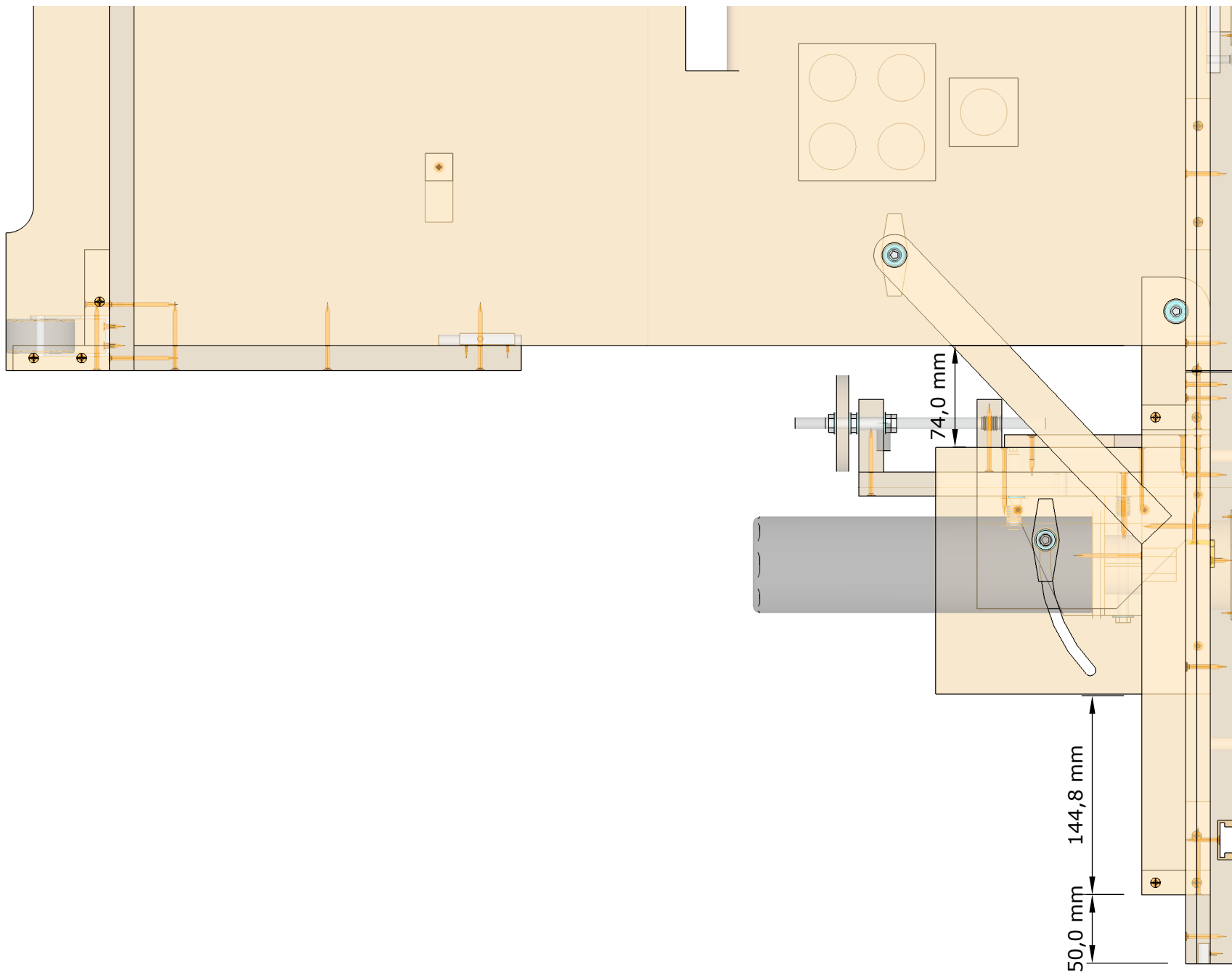
Main Right X Ray 1/6 Scale



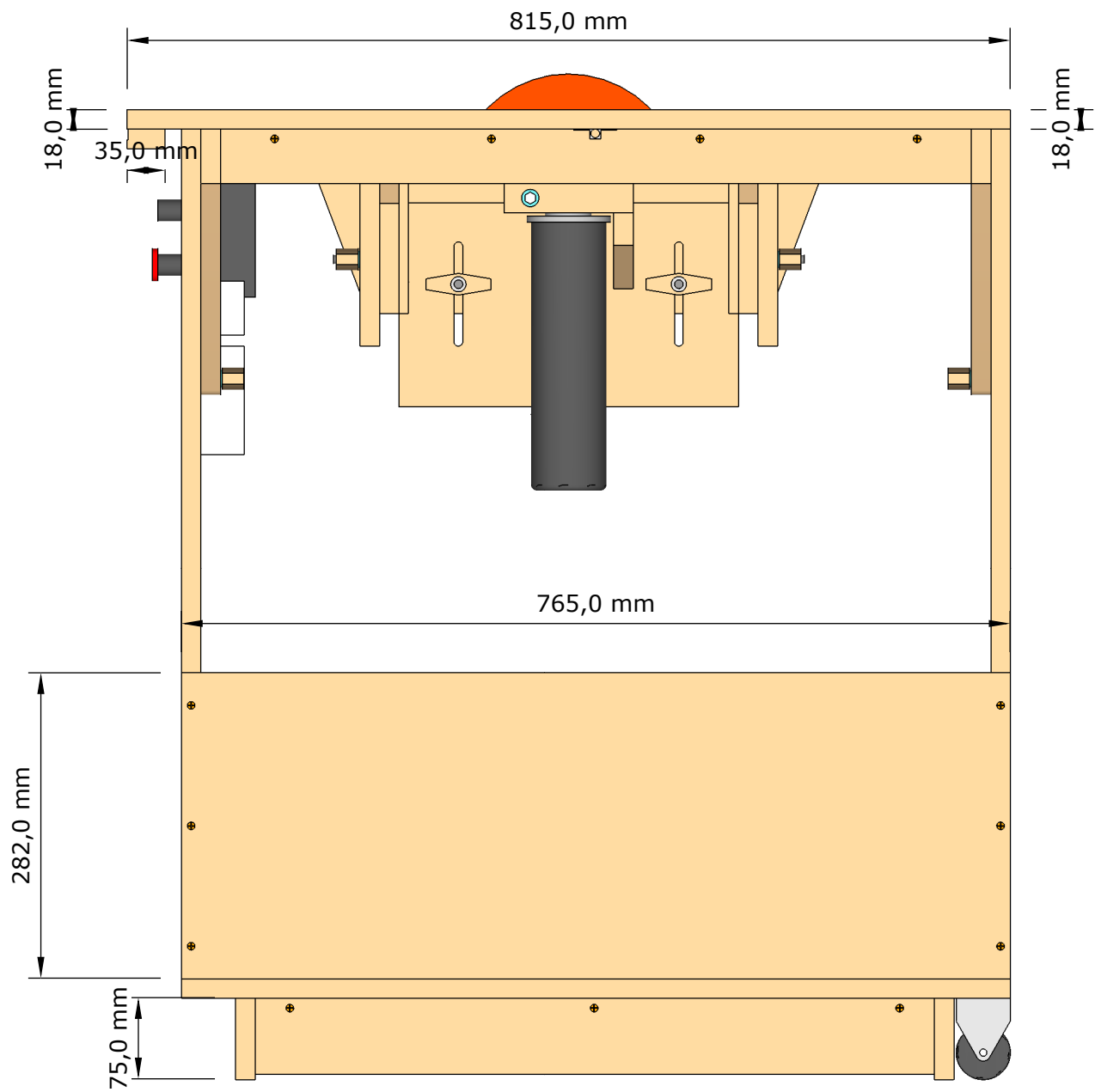
Main Front X Ray 2



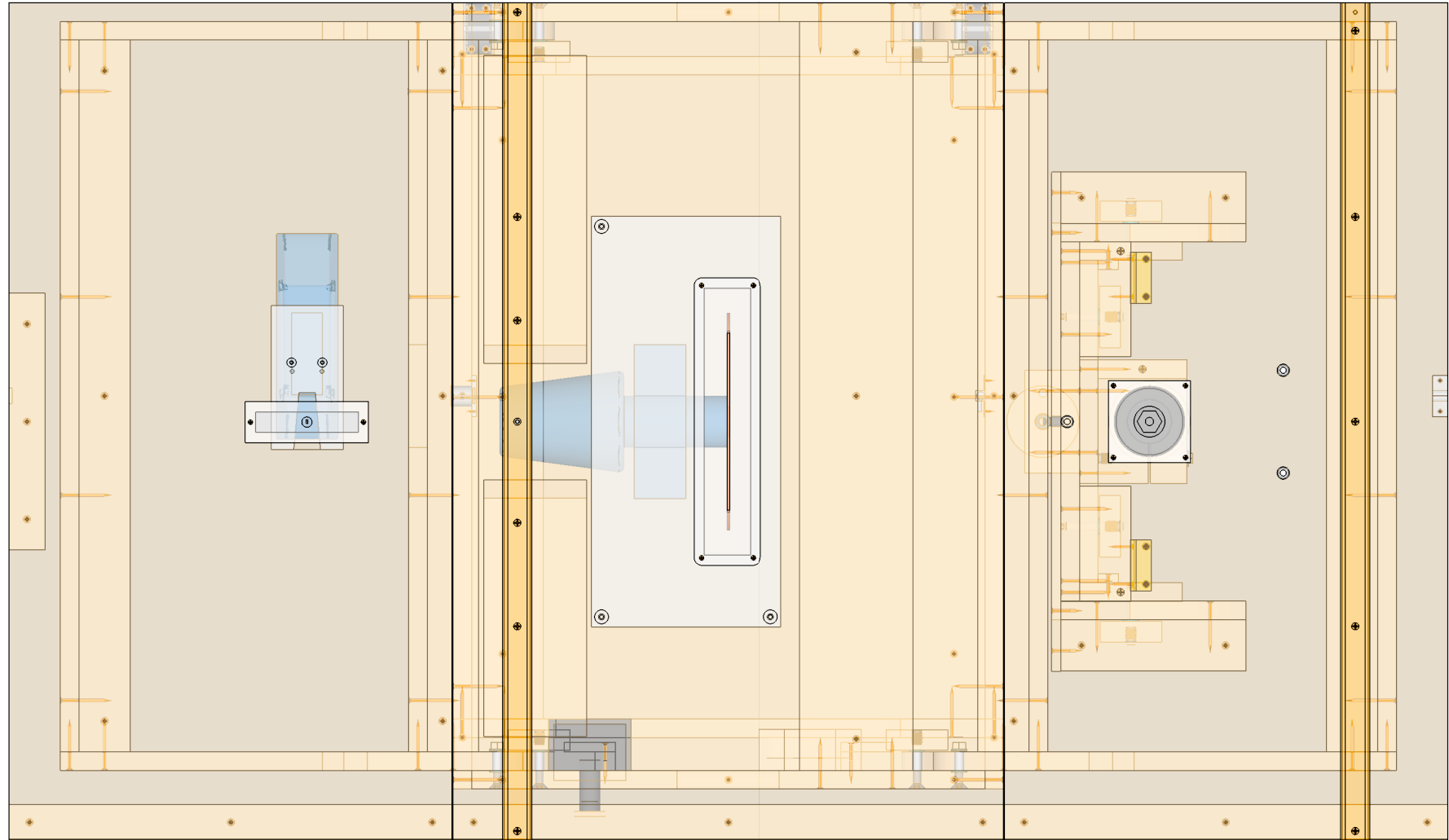
Main Front X Ray 3



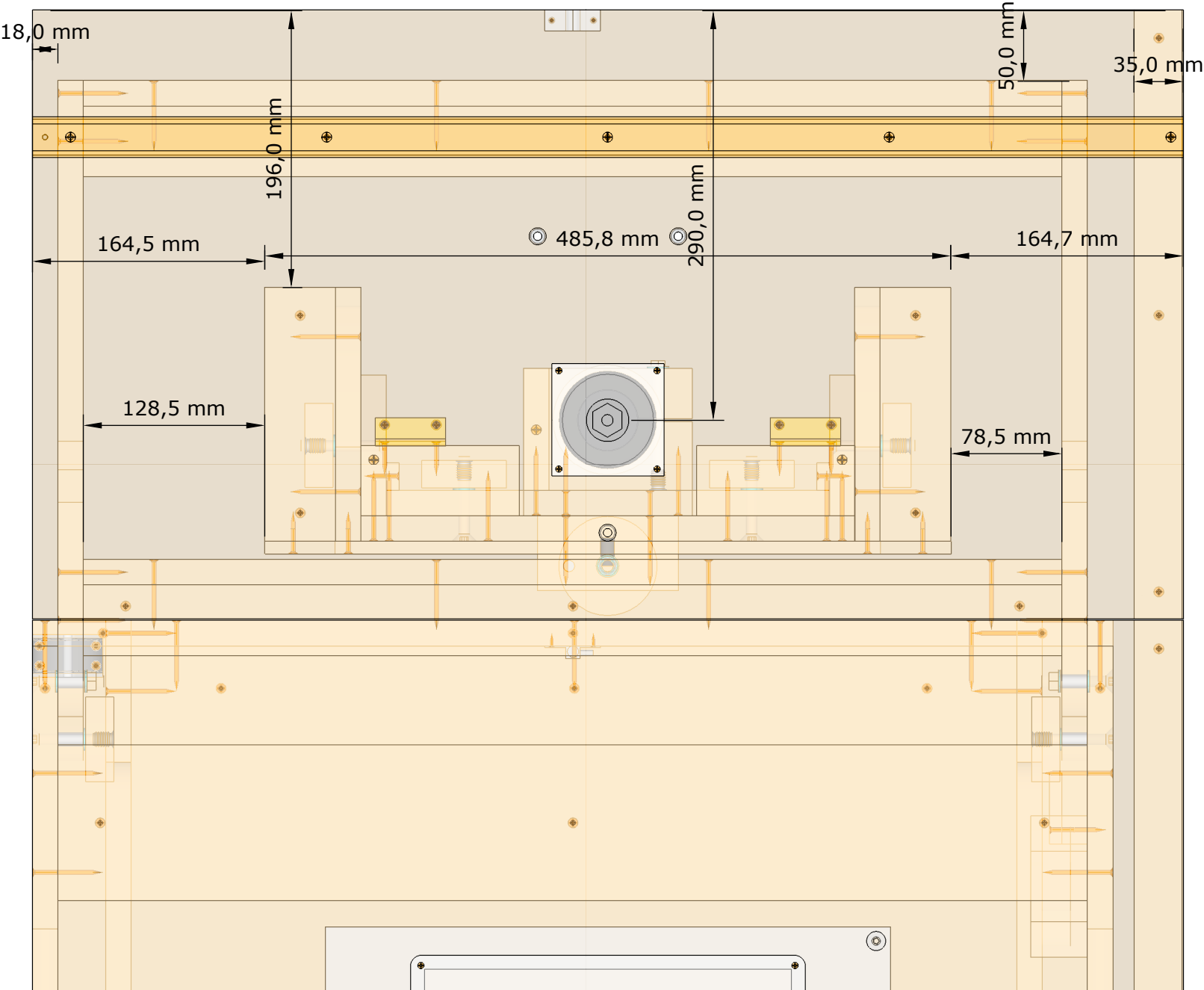
Main Right 1/6 Scale



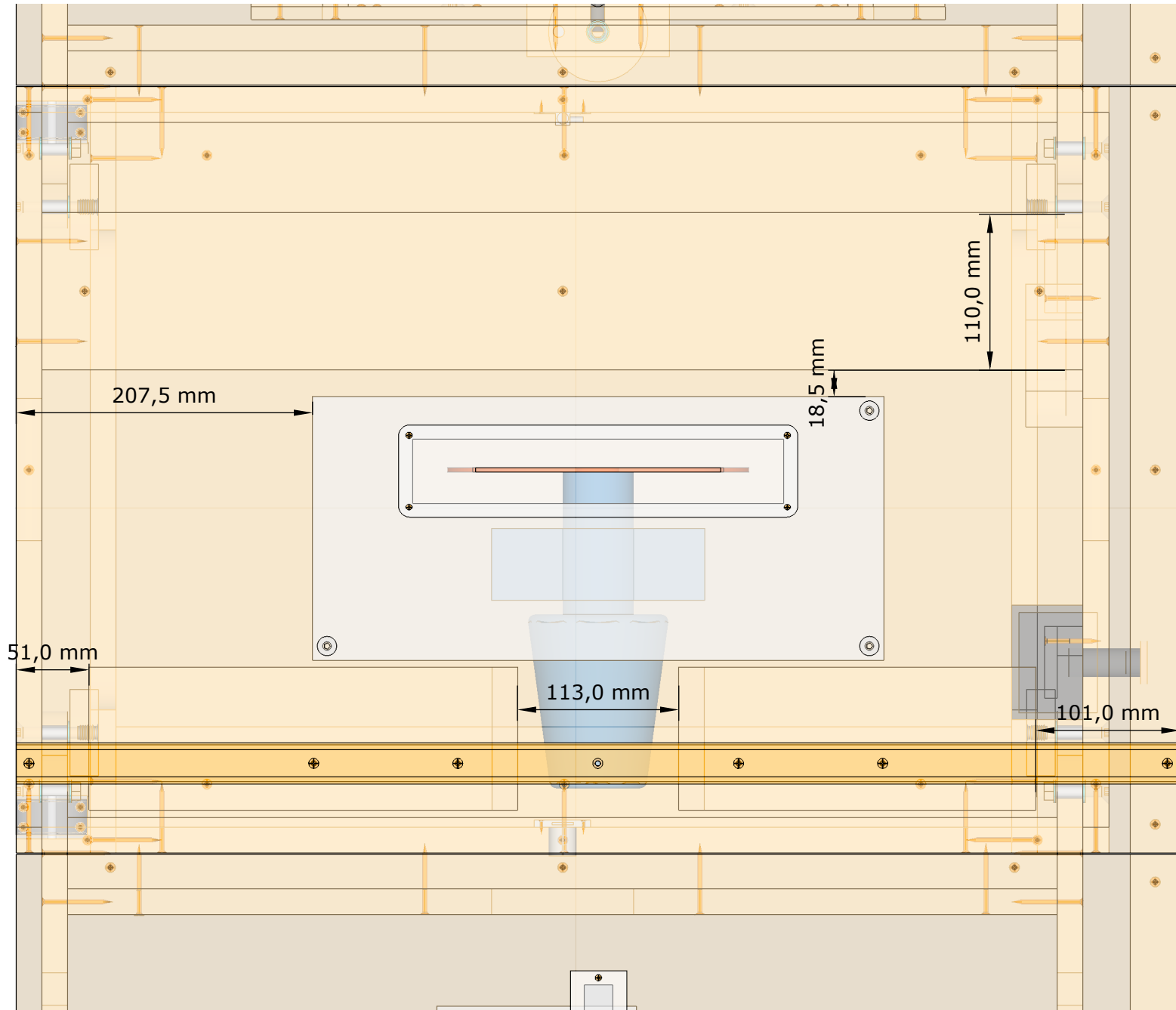
Main Top X Ray 1/6 Scale



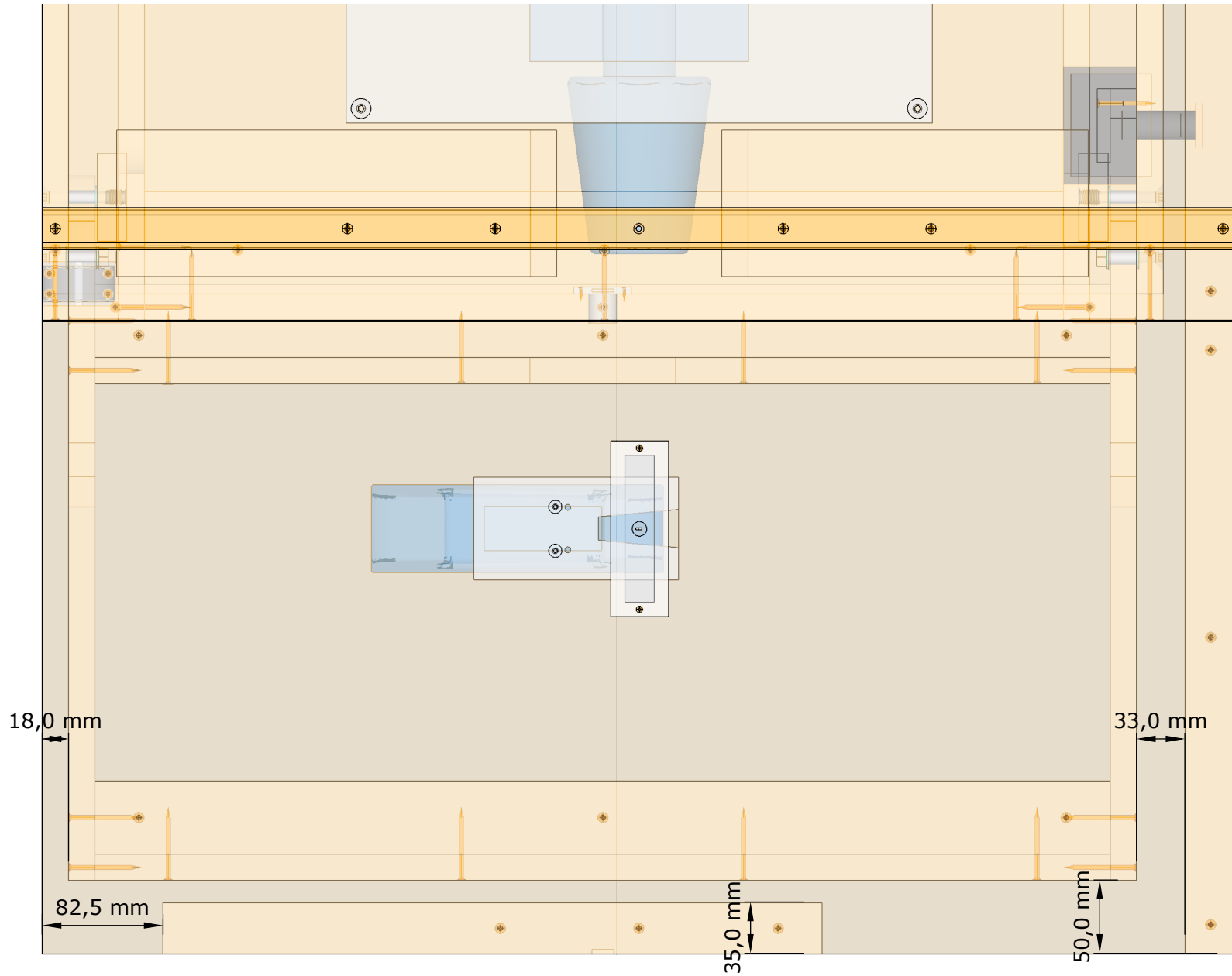
Main Top X Ray2



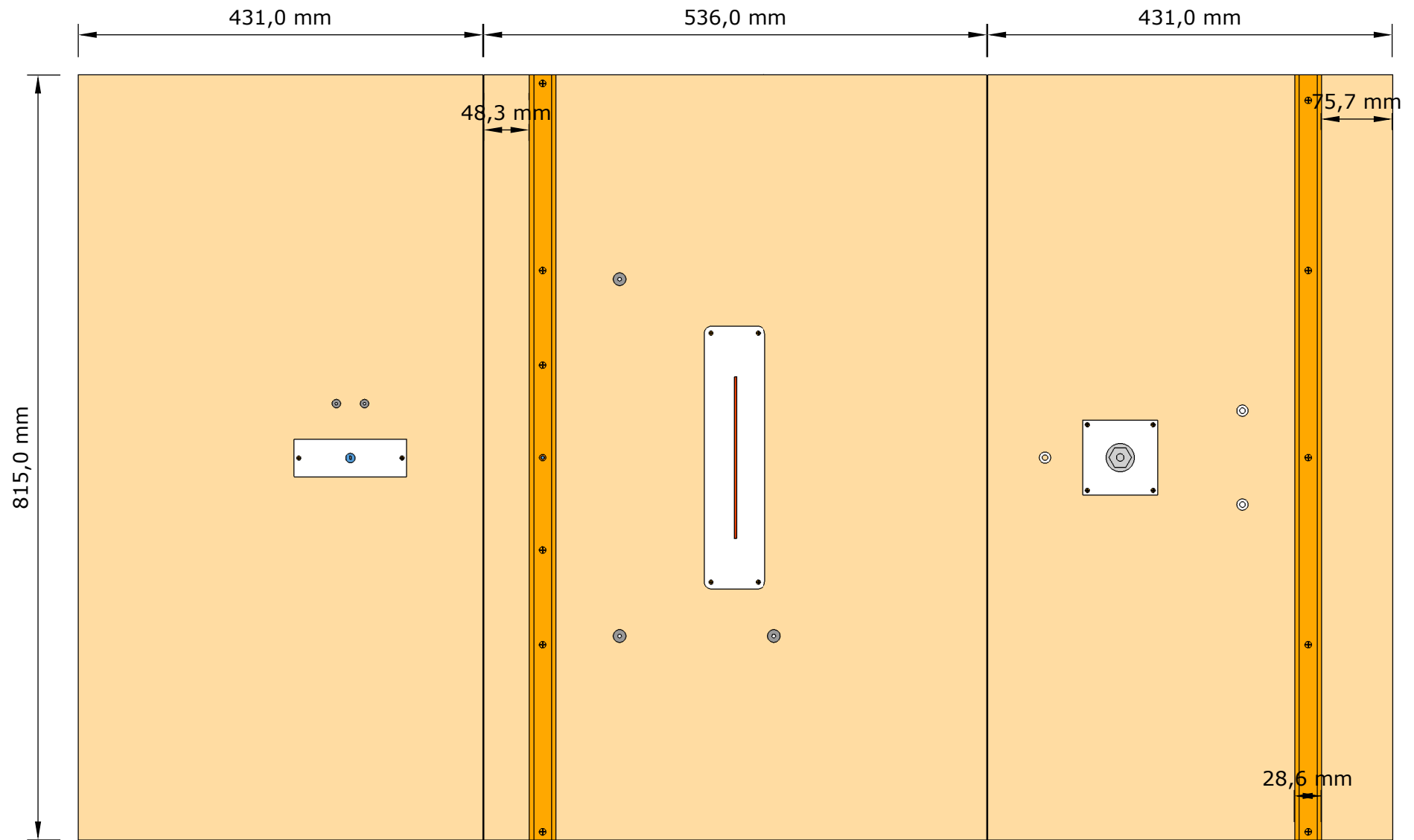
Main Top X Ray3



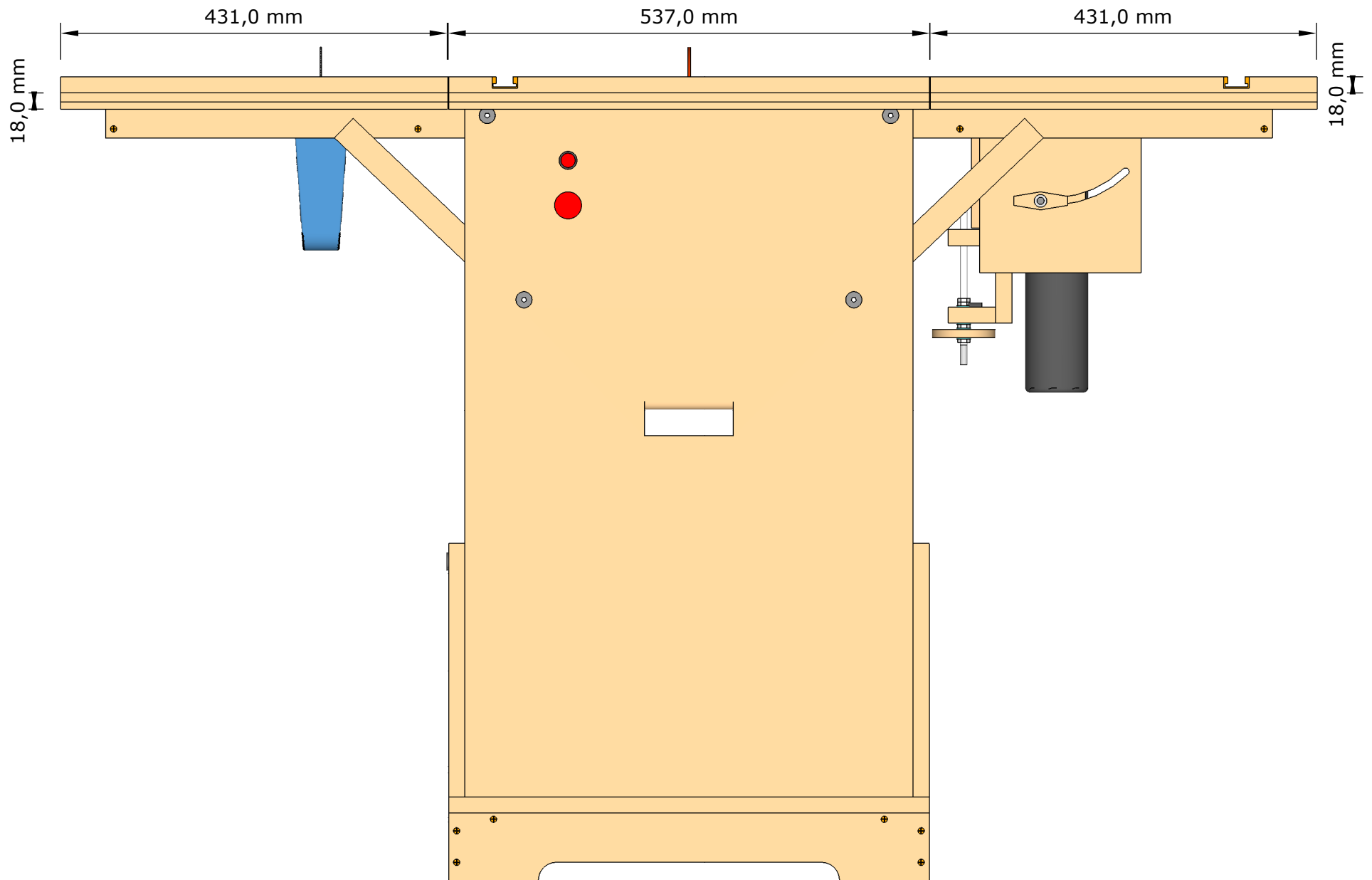
Main Top X Ray4



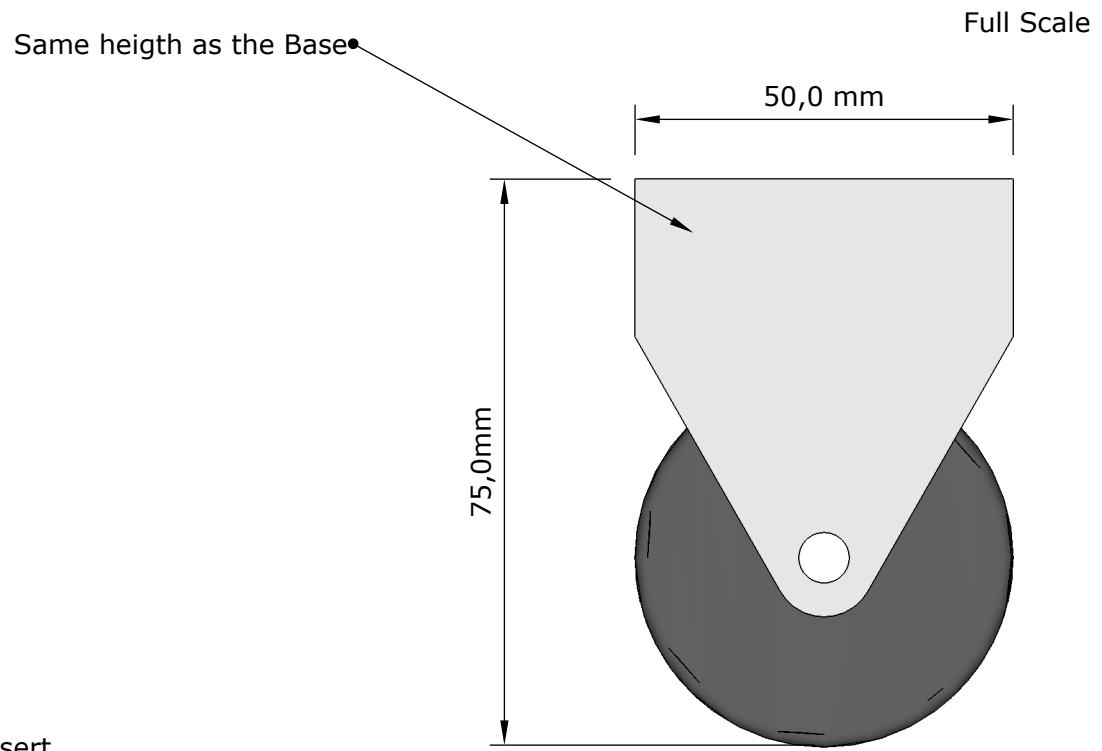
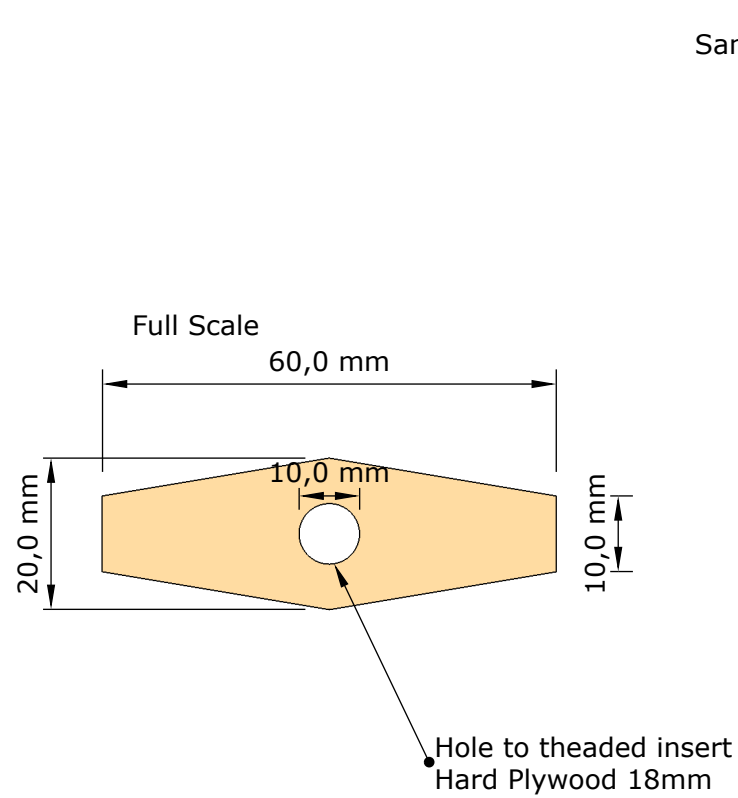
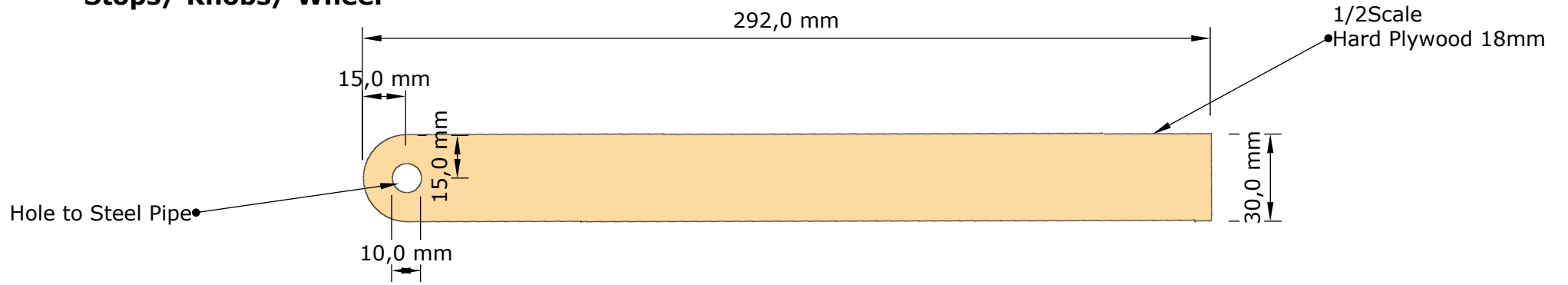
Main Top 1/6 Scale



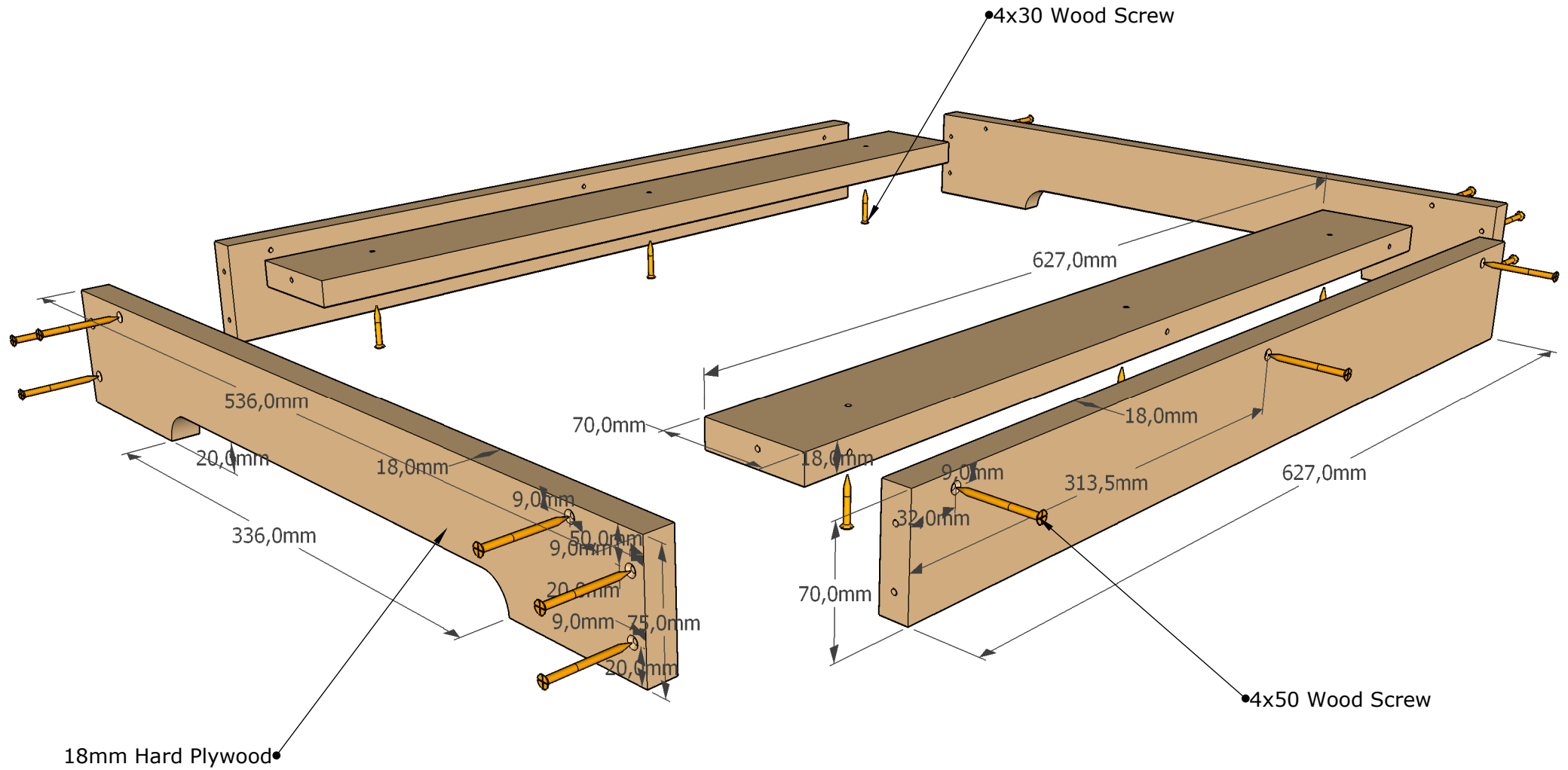
MainFront 1/6 Scale



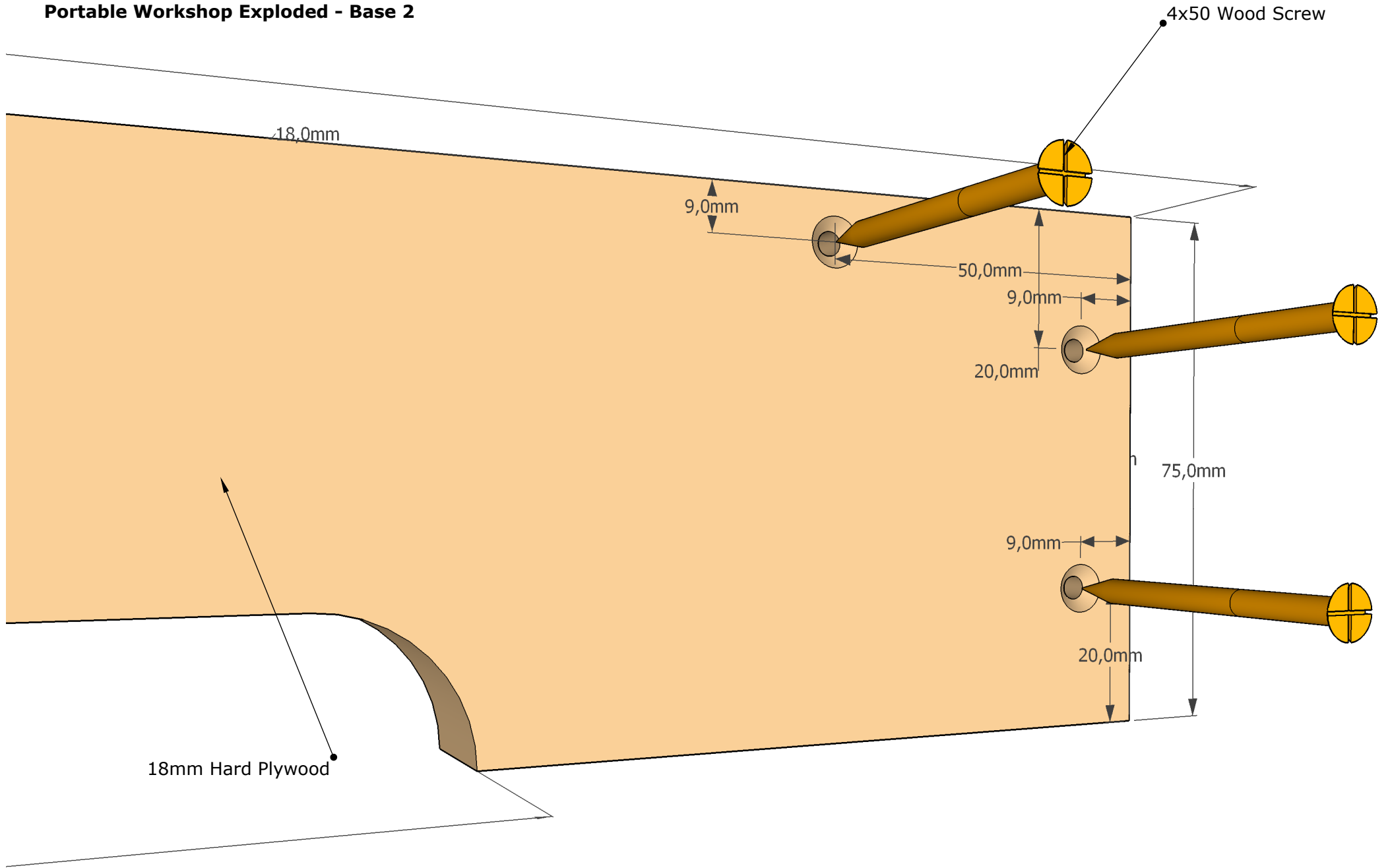
Stops/ Knobs/ Wheel



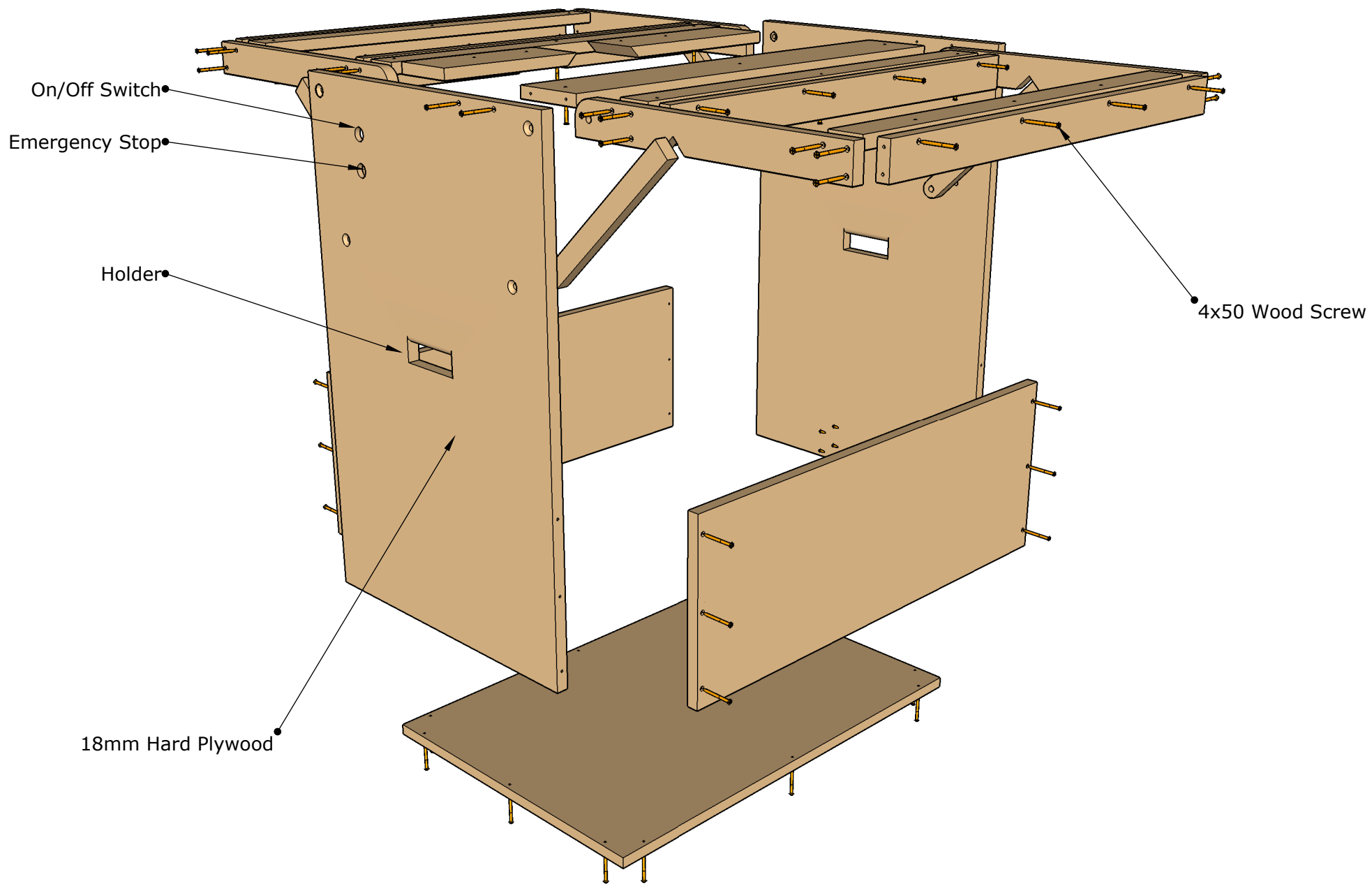
Portable Workshop Exploded - Base



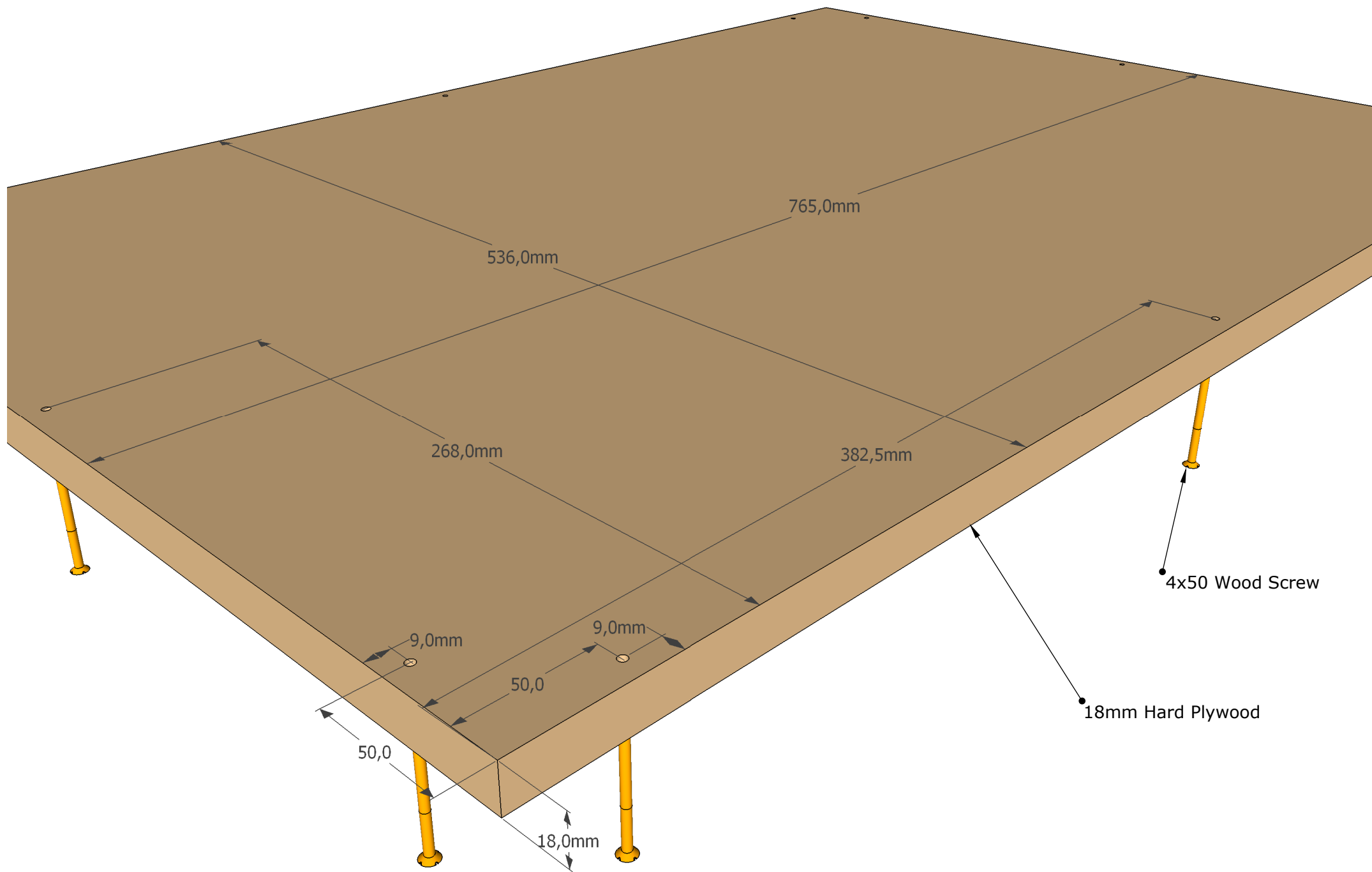
Portable Workshop Exploded - Base 2



Portable Workshop Exploded - Cabinet



Portable Workshop Exploded - Cabinet 2



18,0mm

Portable Workshop Exploded - Cabinet 3

30,0mm

9,0mm

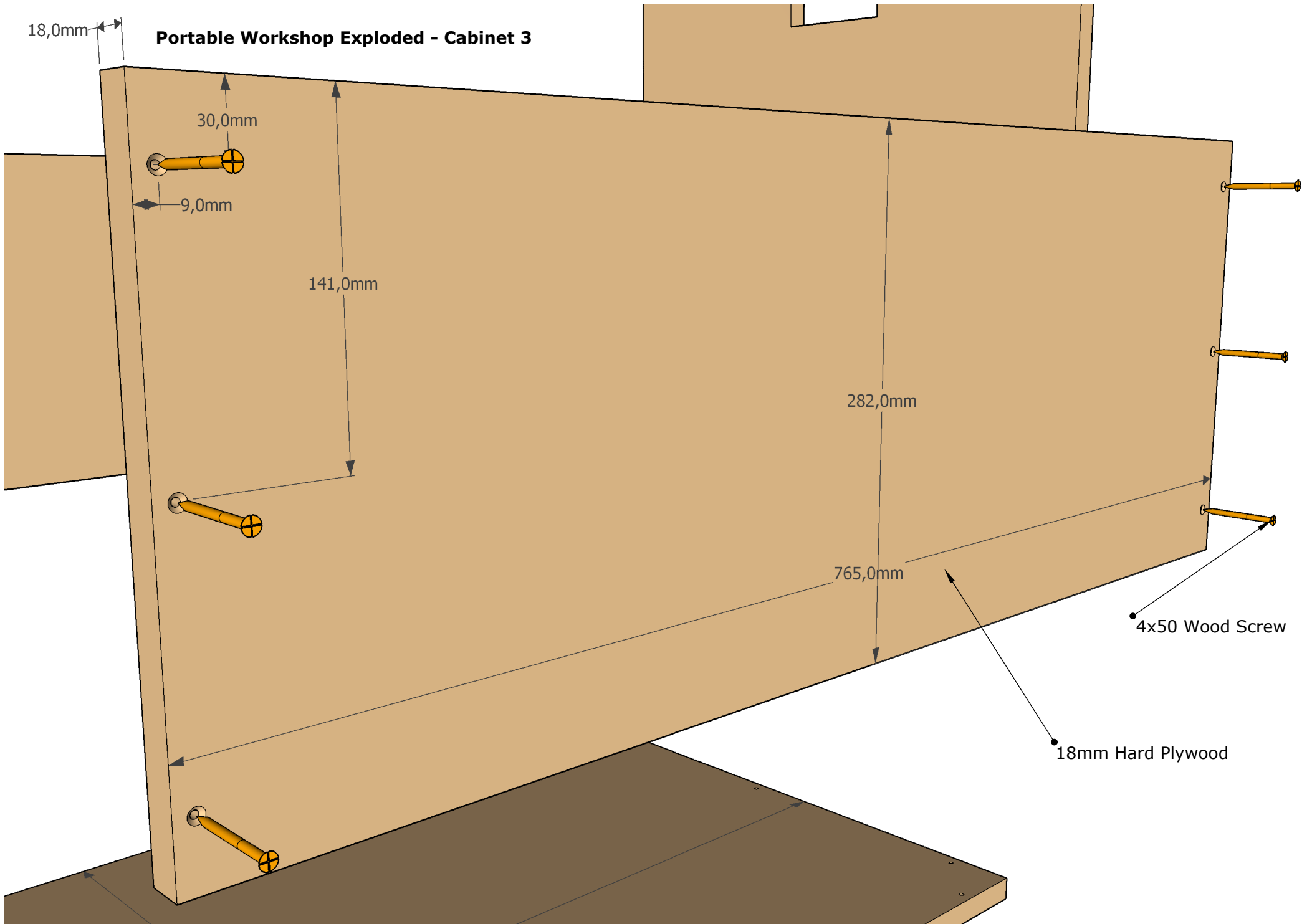
141,0mm

282,0mm

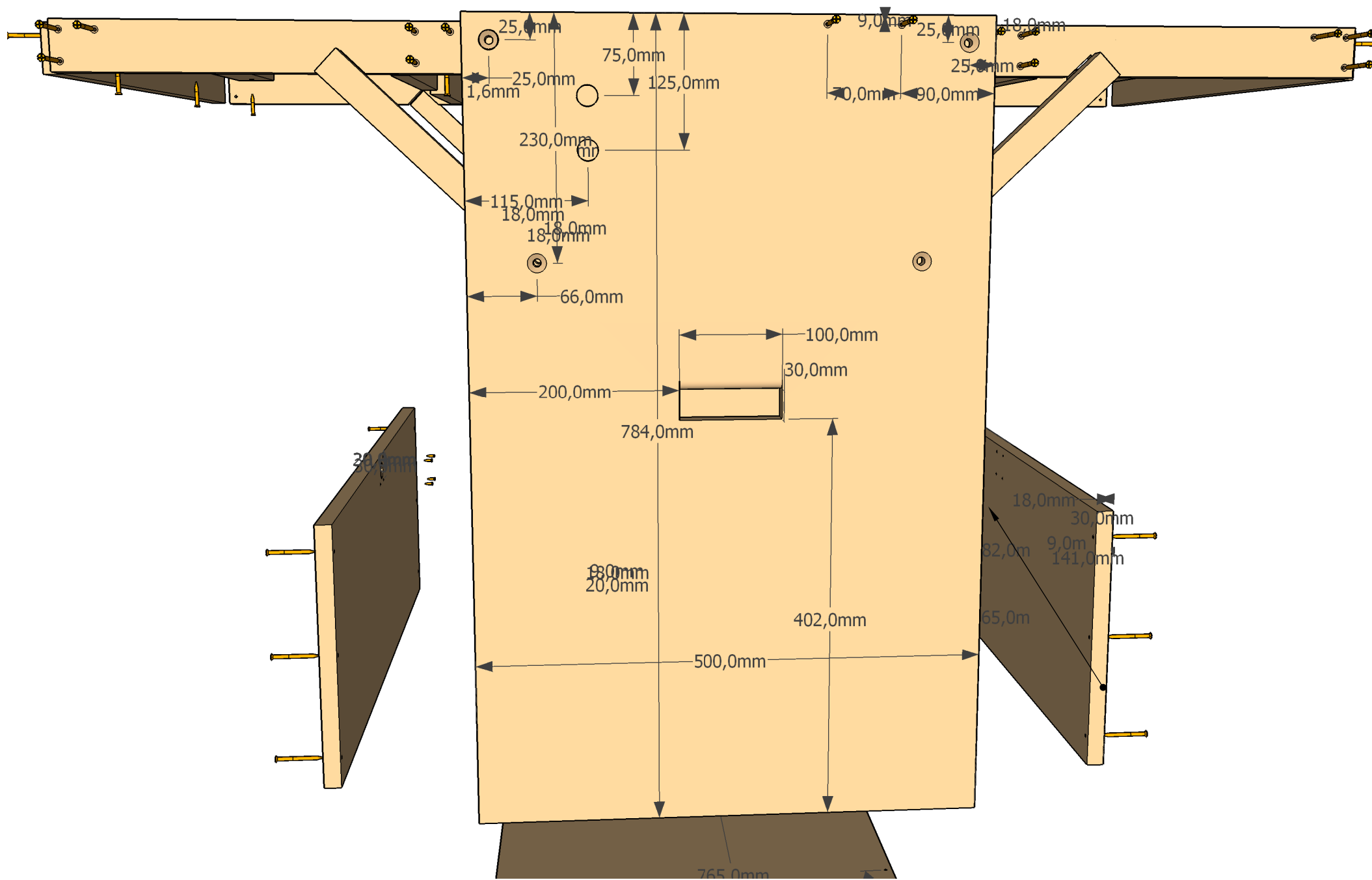
765,0mm

4x50 Wood Screw

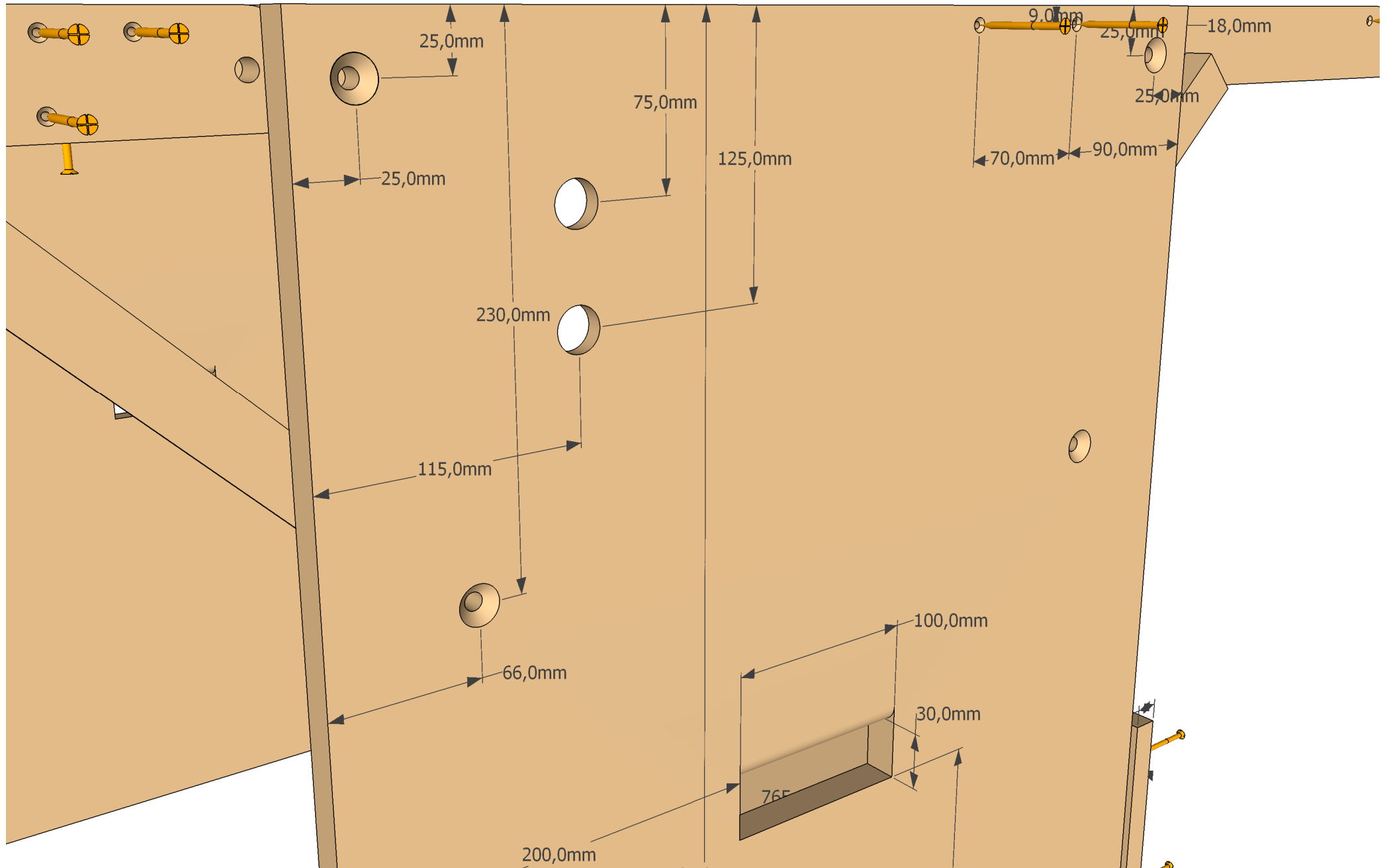
18mm Hard Plywood



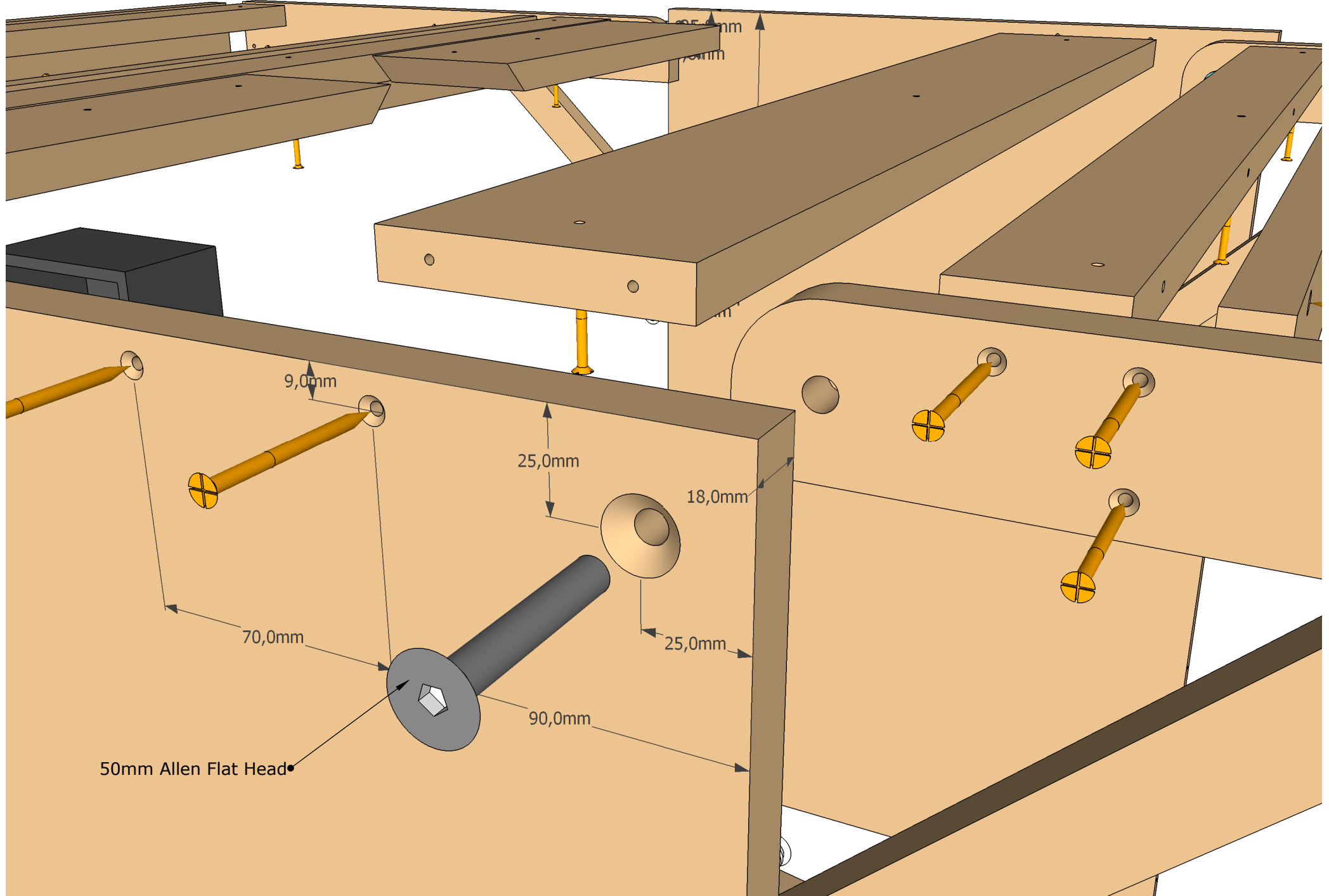
Portable Workshop Exploded - Cabinet 4



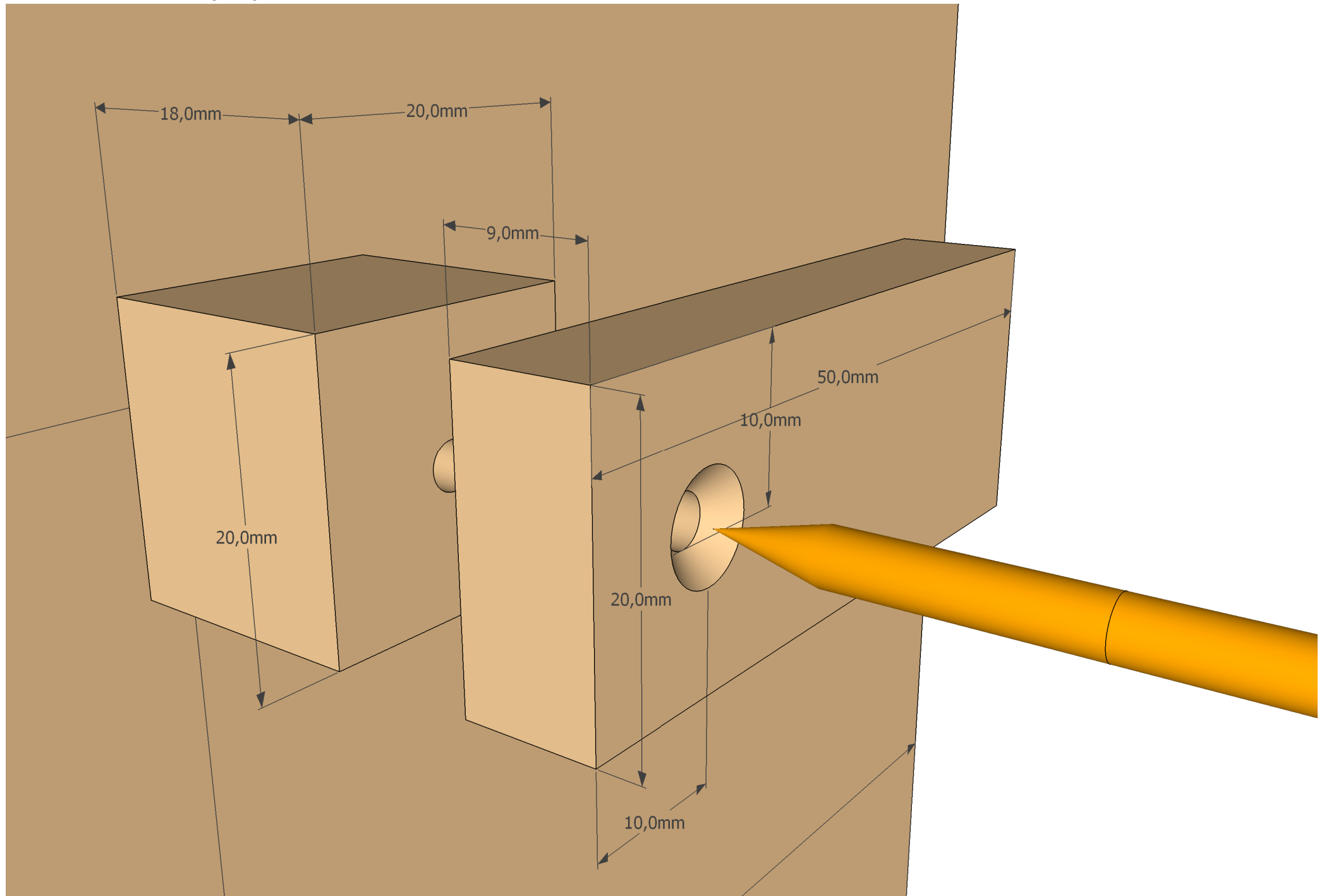
Portable Workshop Exploded - Cabinet 5



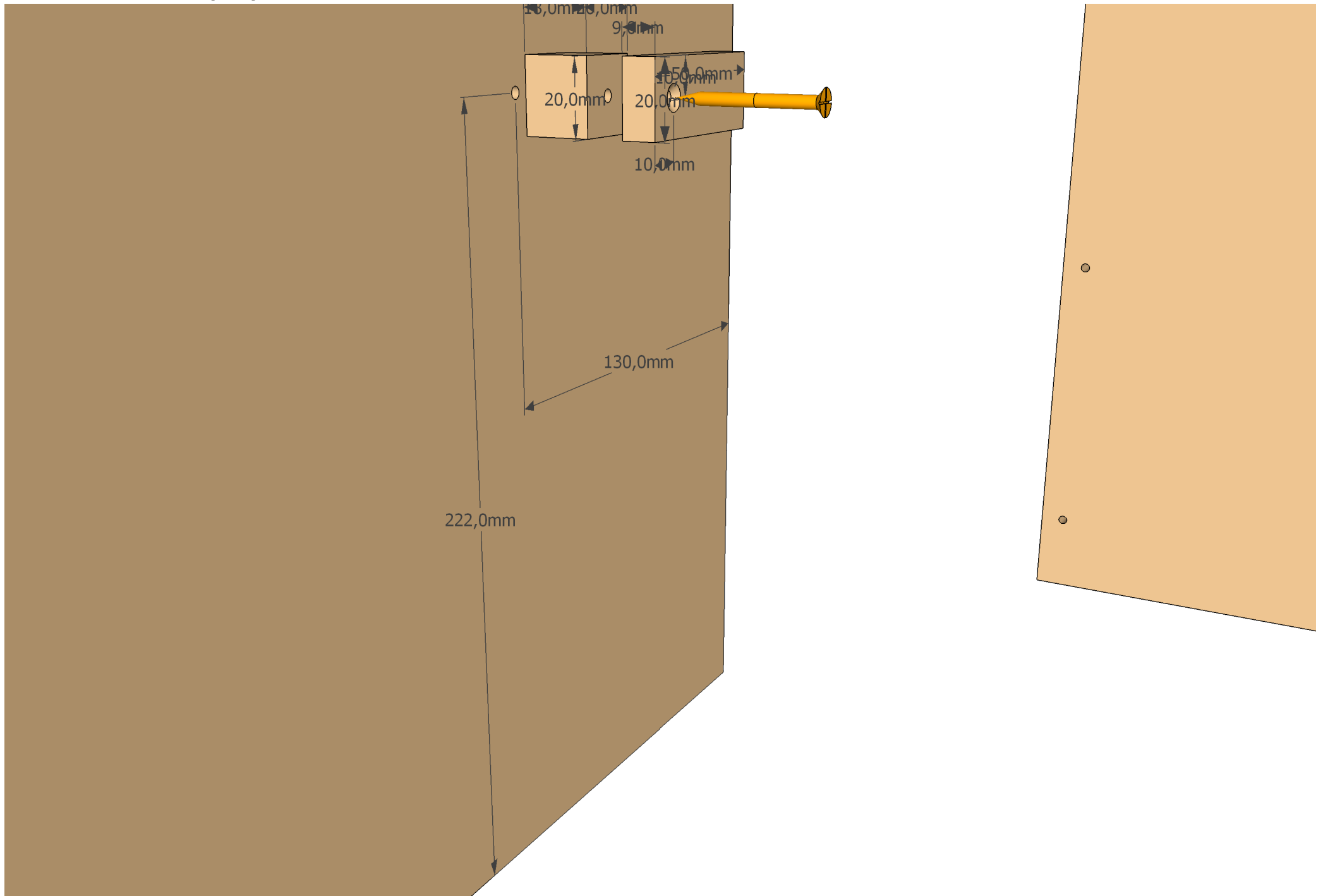
Portable Workshop Exploded - Cabinet 6



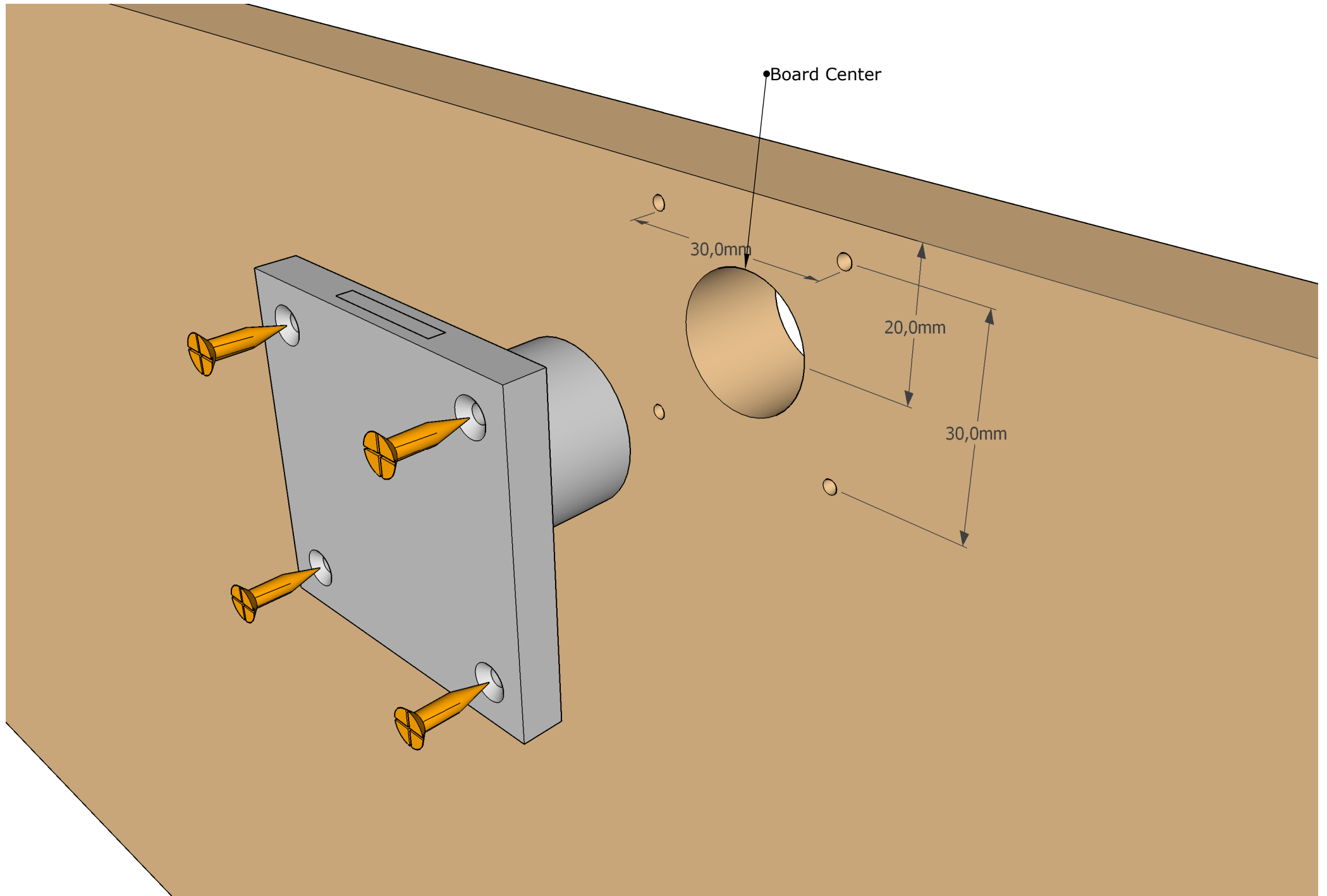
Portable Workshop Exploded - Cabinet 7



Portable Workshop Exploded - Cabinet 8

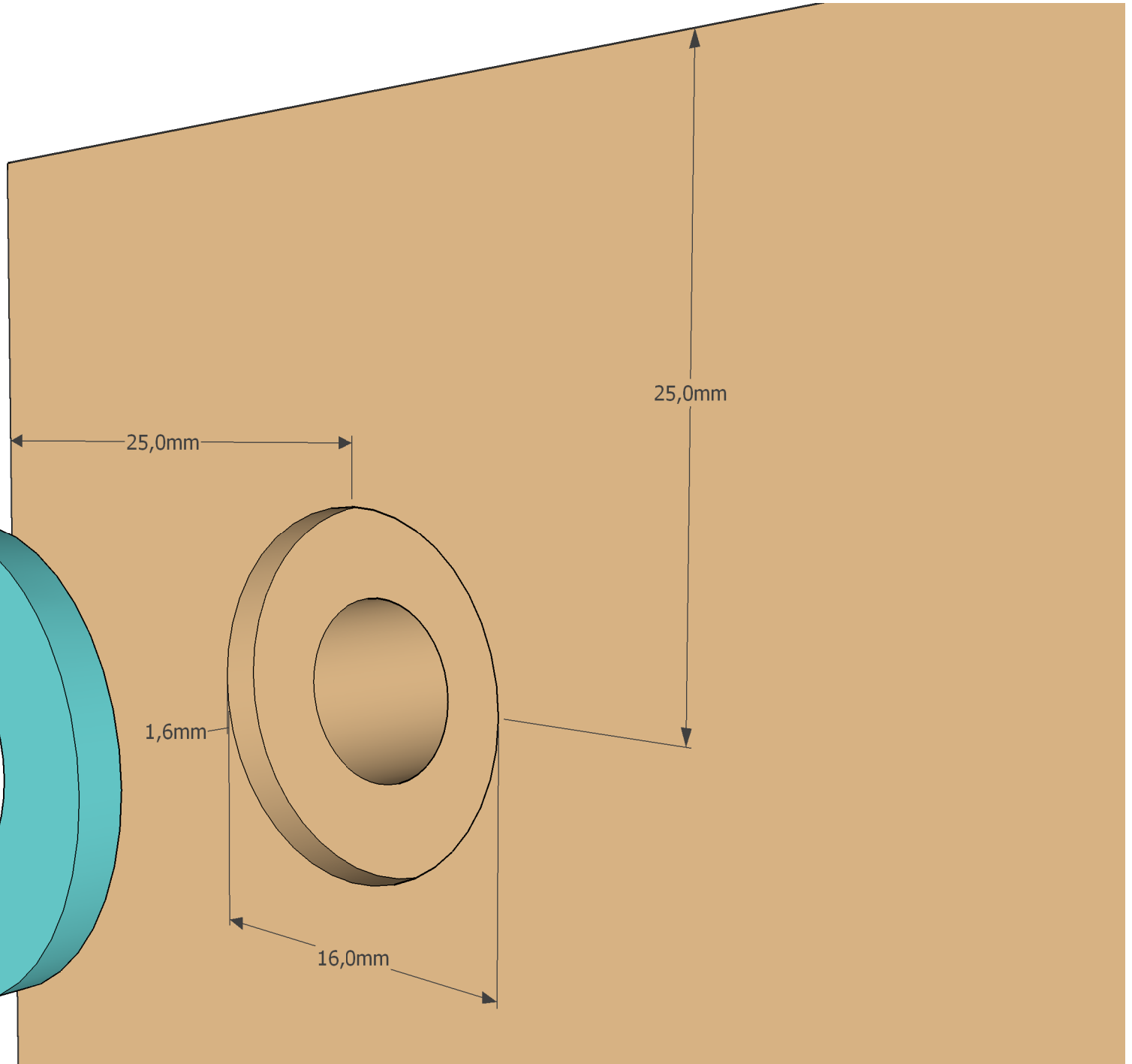
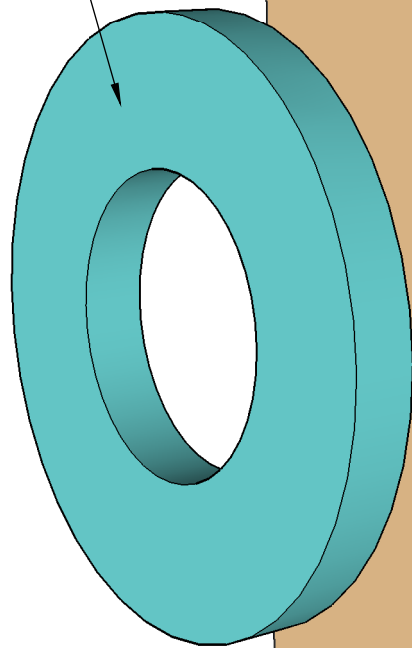


Portable Workshop Exploded - Cabinet 9



Portable Workshop Exploded - Cabinet 10

M8 Washer



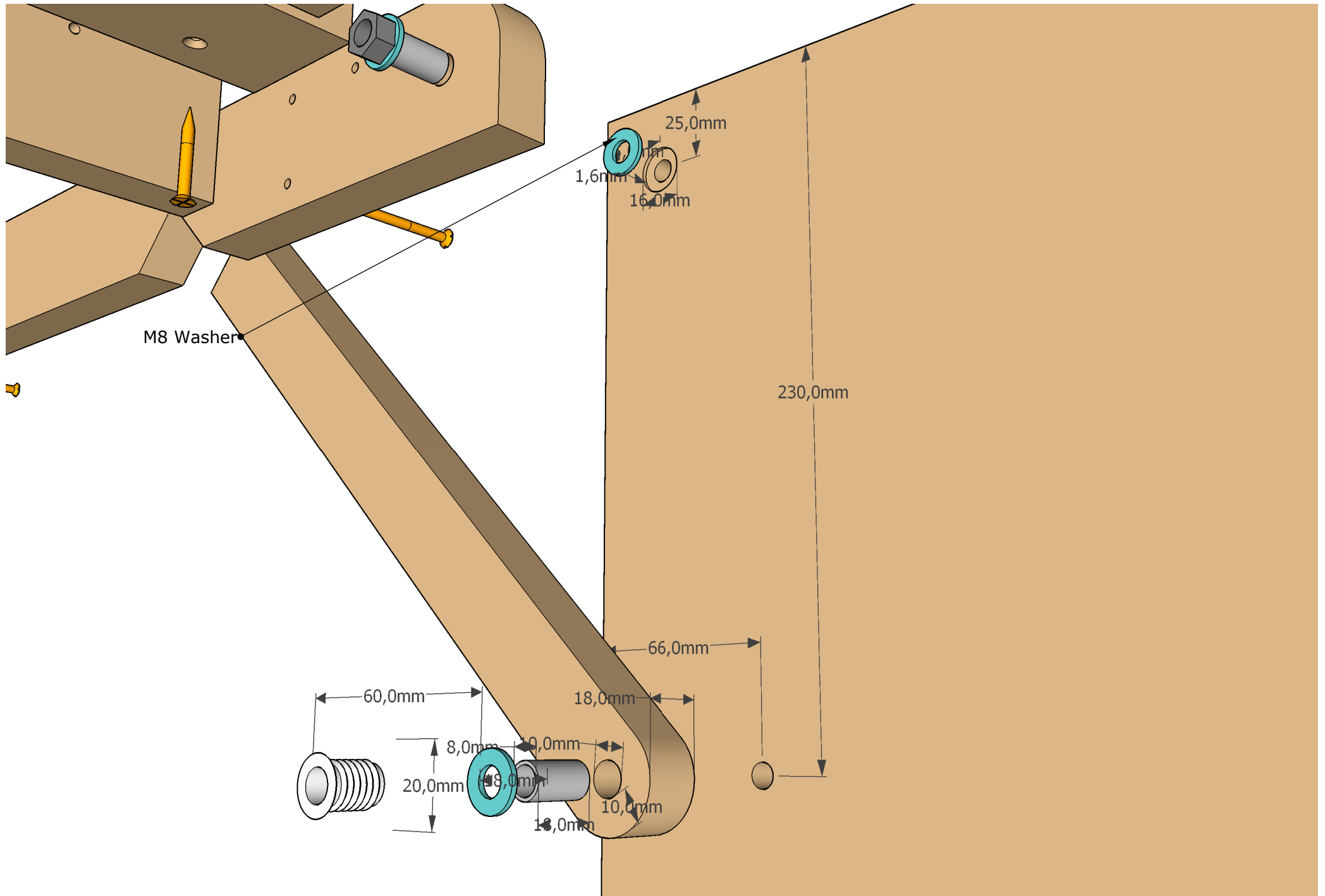
25,0mm

25,0mm

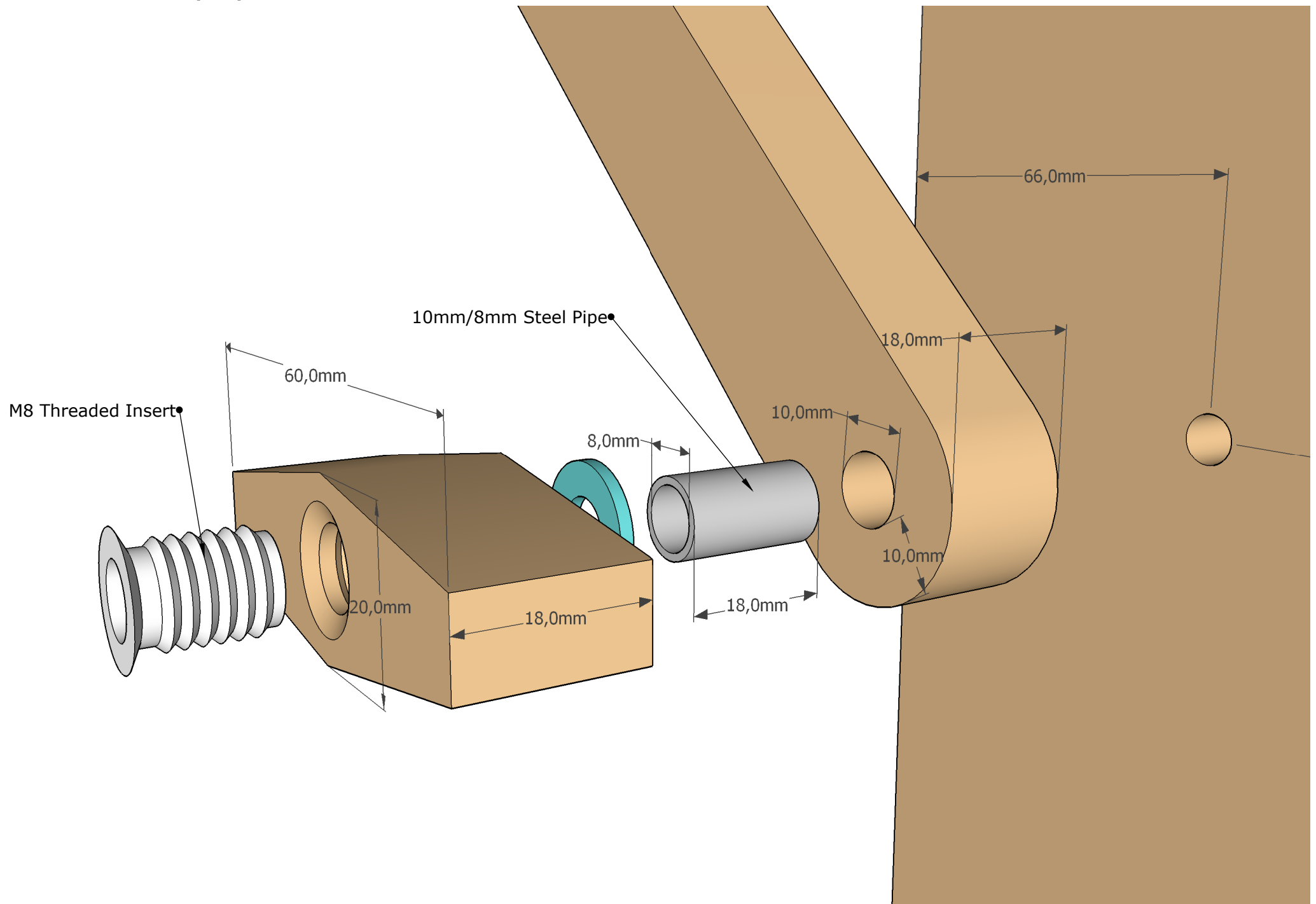
1,6mm

16,0mm

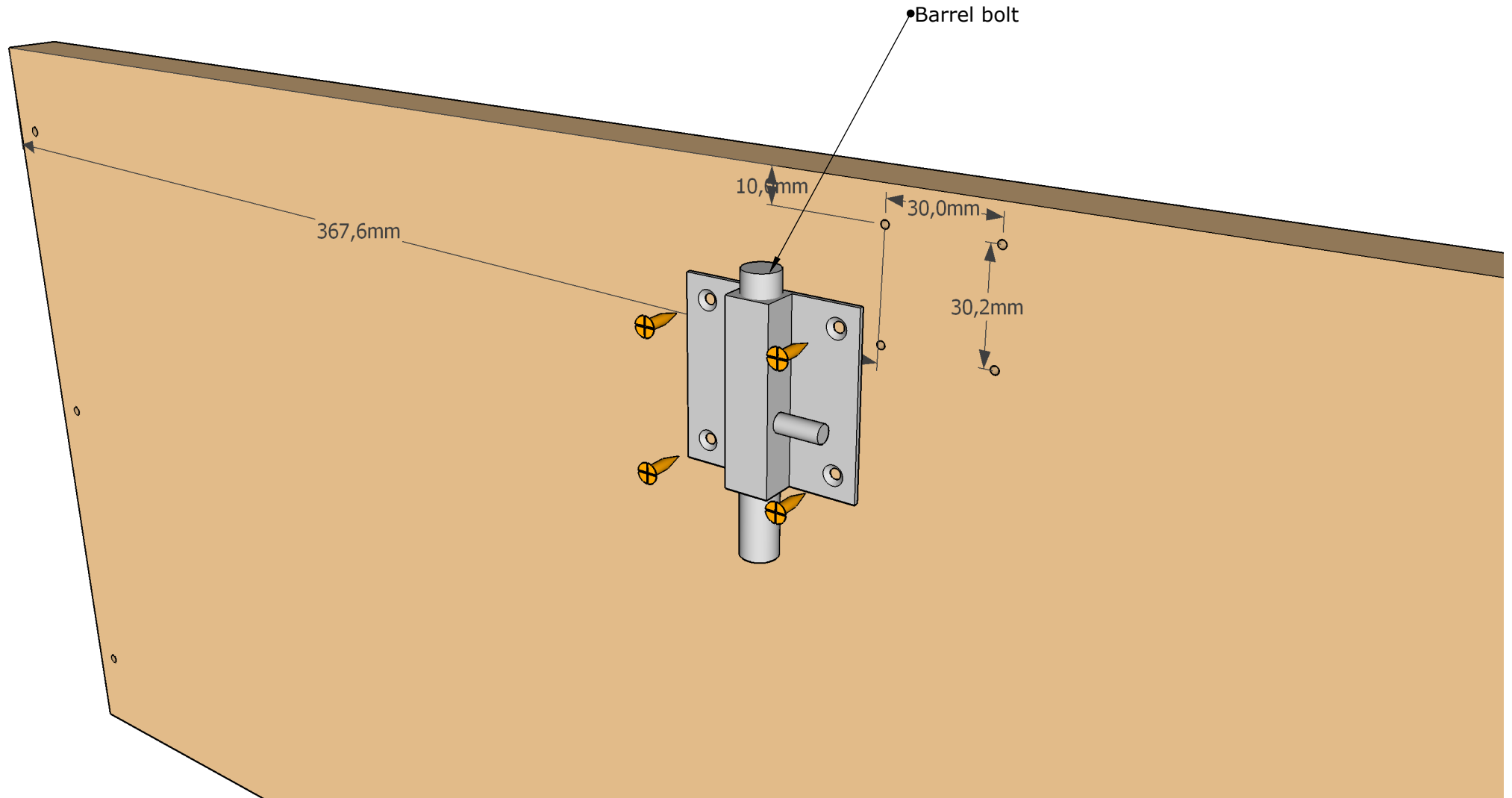
Portable Workshop Exploded - Cabinet 11

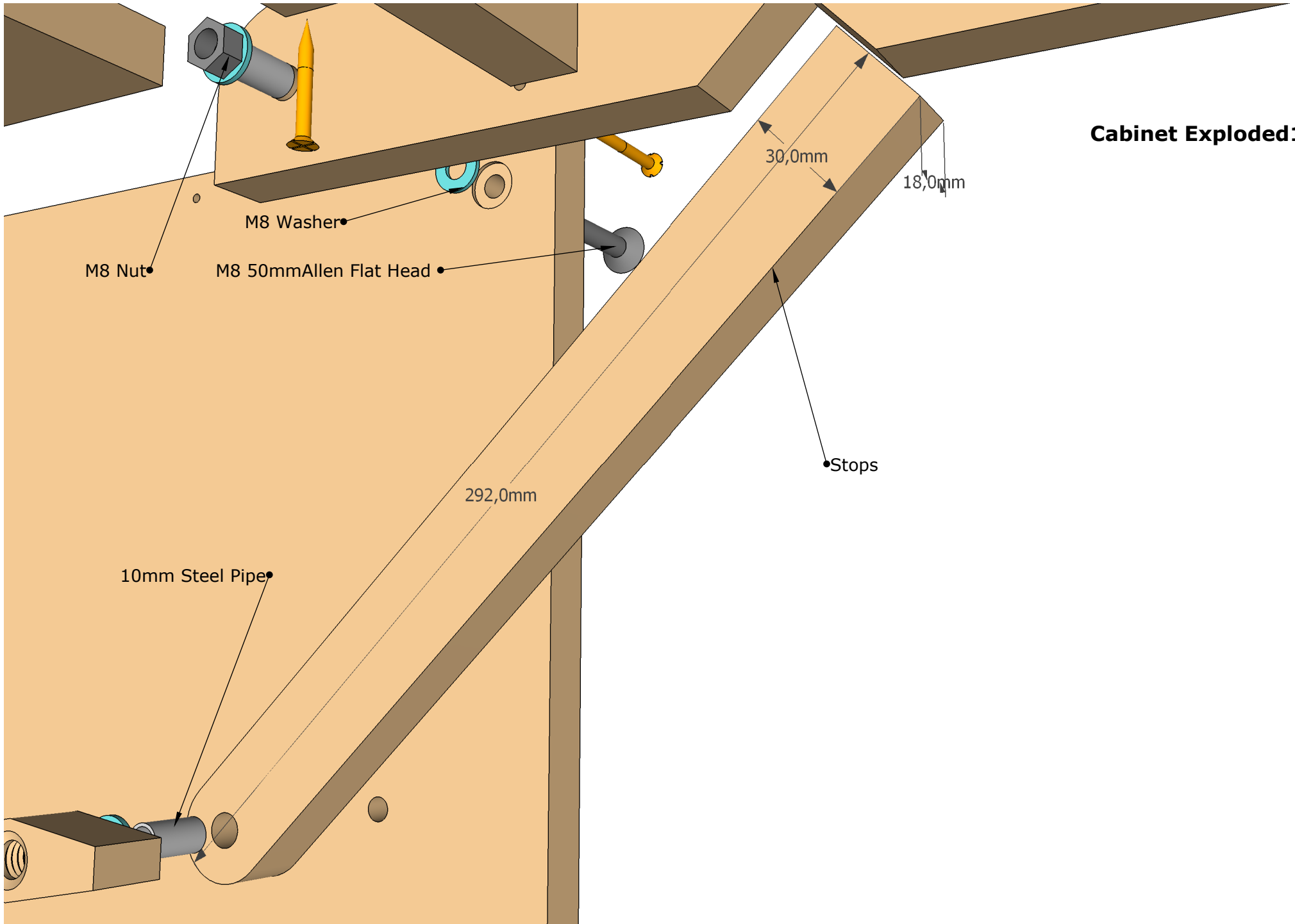


Portable Workshop Exploded - Cabinet 12



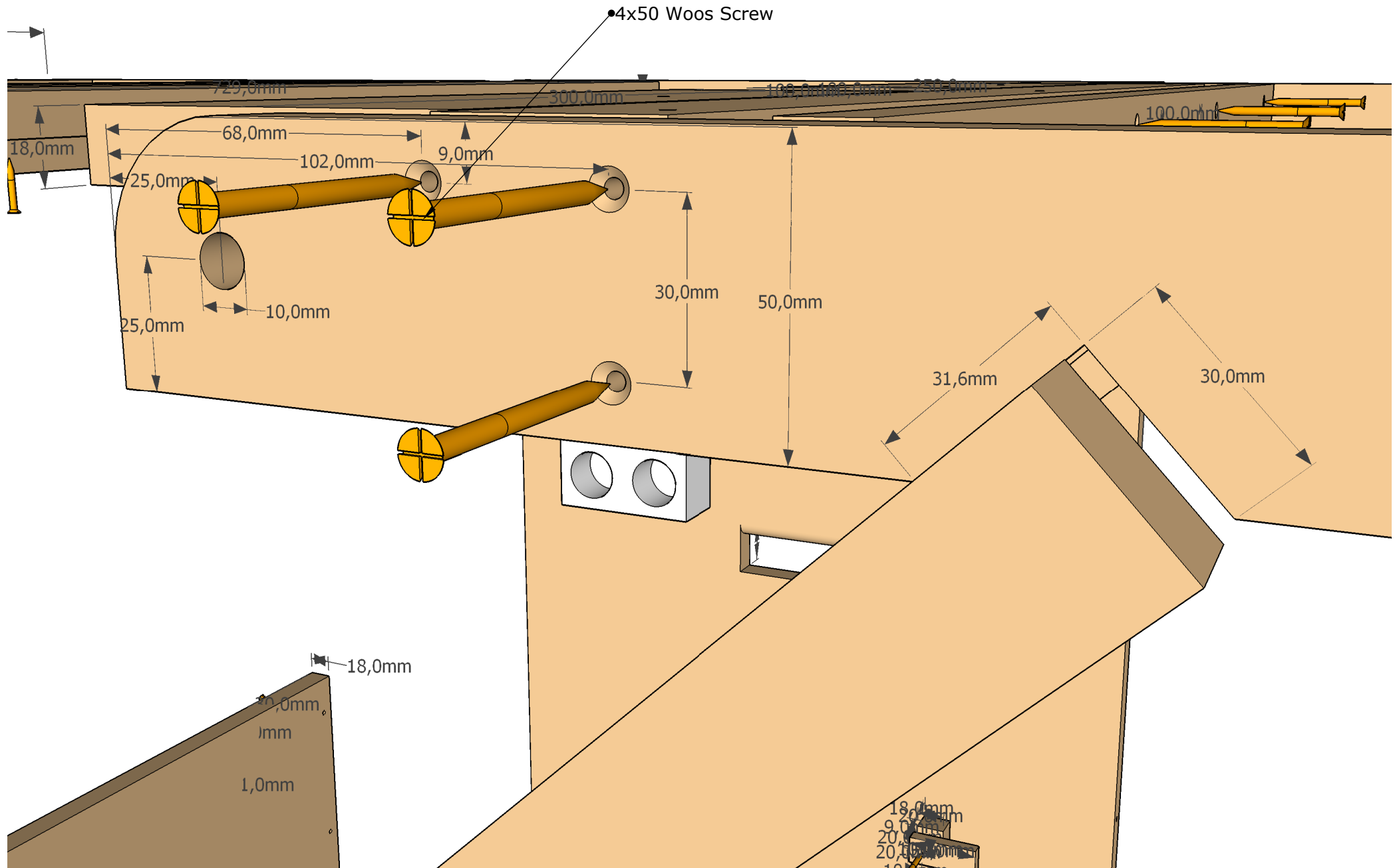
Cabinet Exploded13



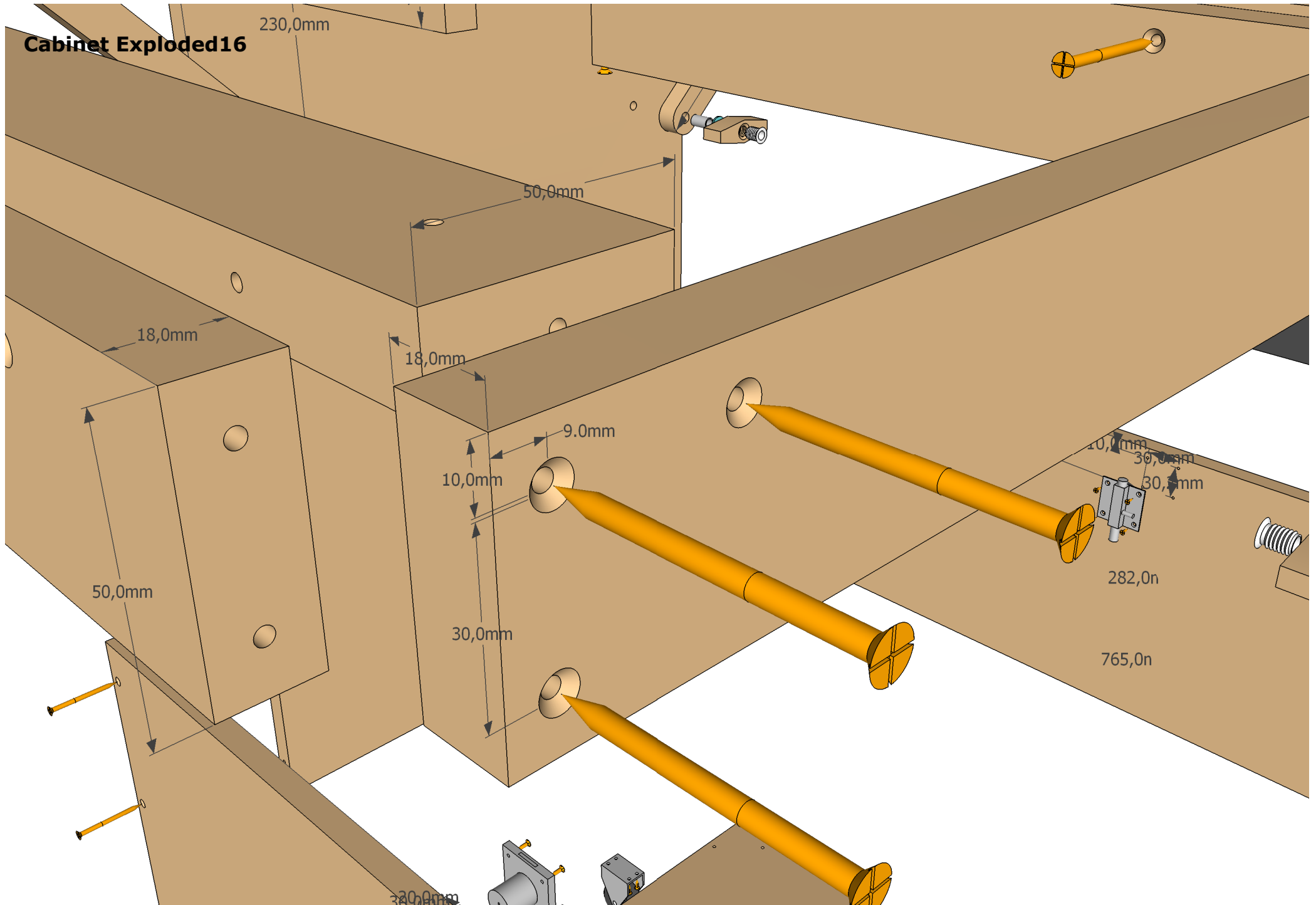


Cabinet Exploded14

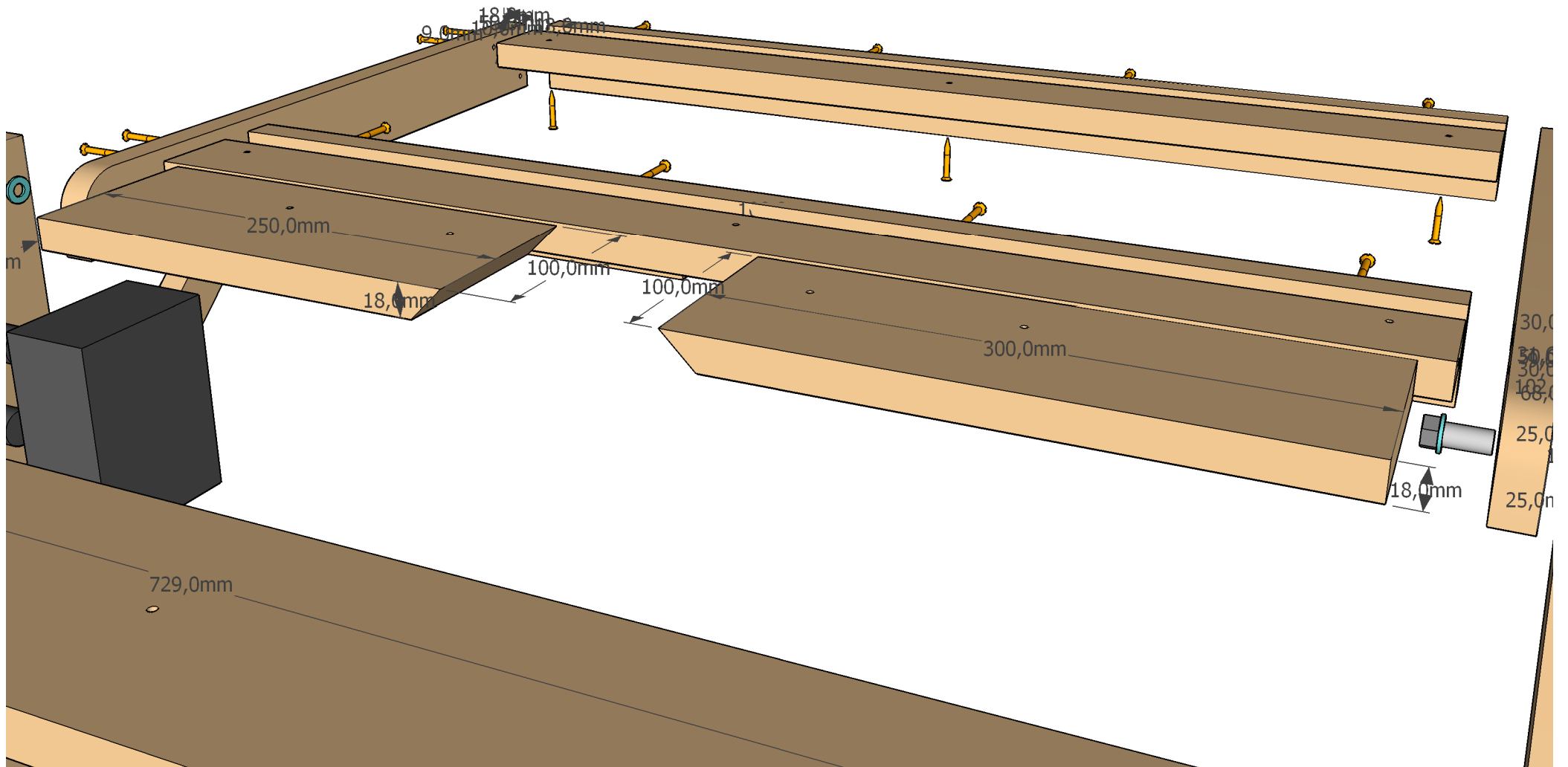
Cabinet Exploded15



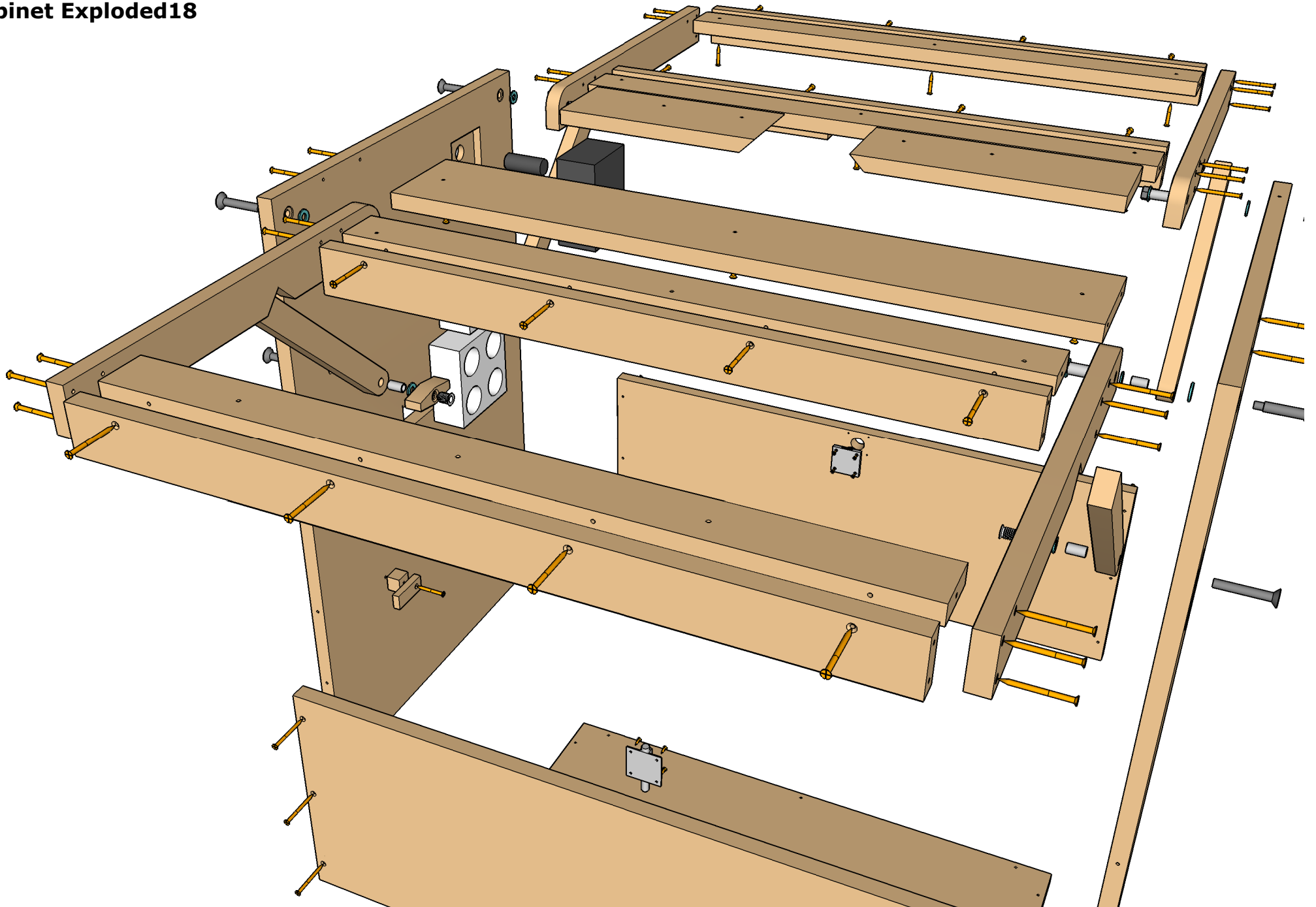
Cabinet Exploded16



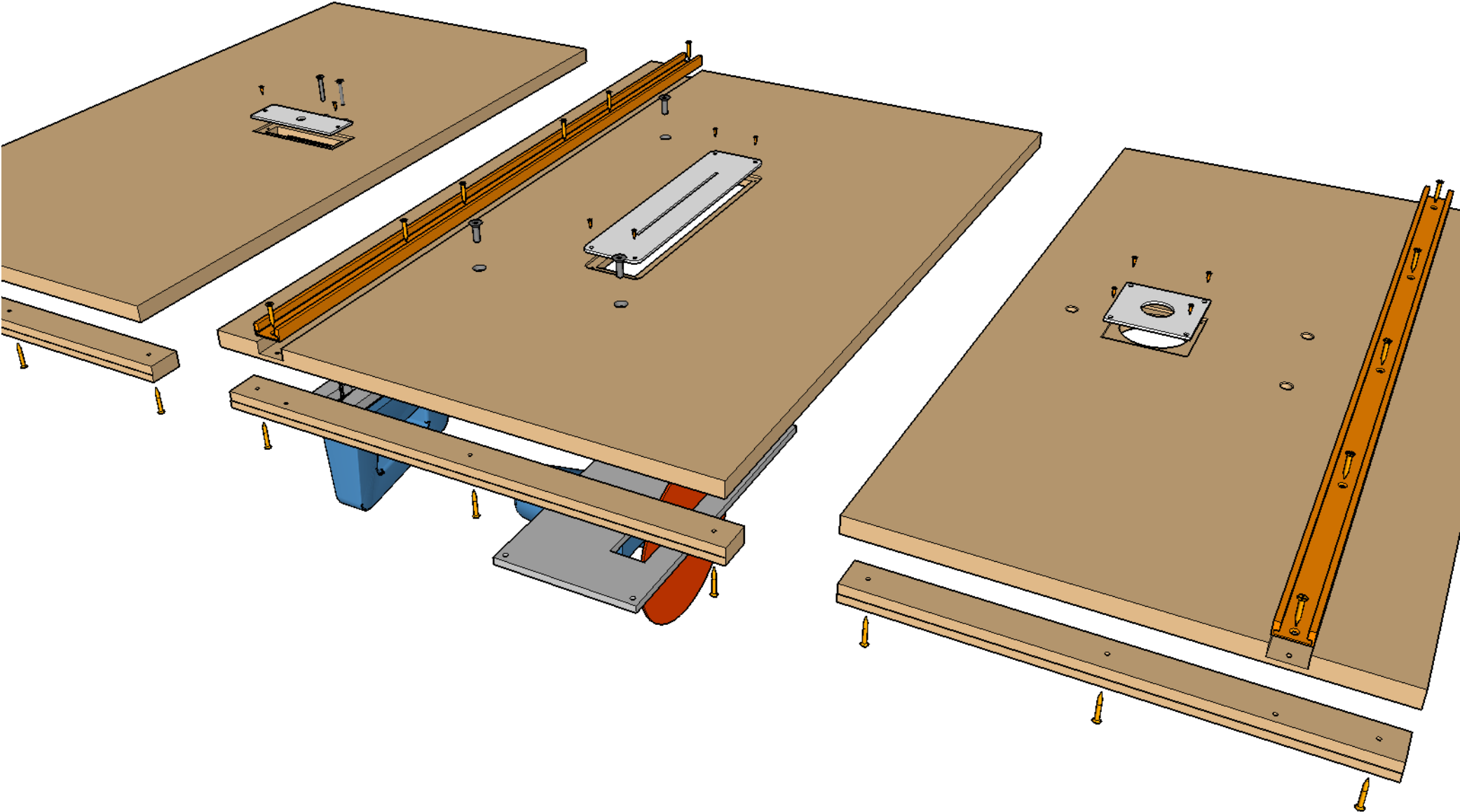
Cabinet Exploded17



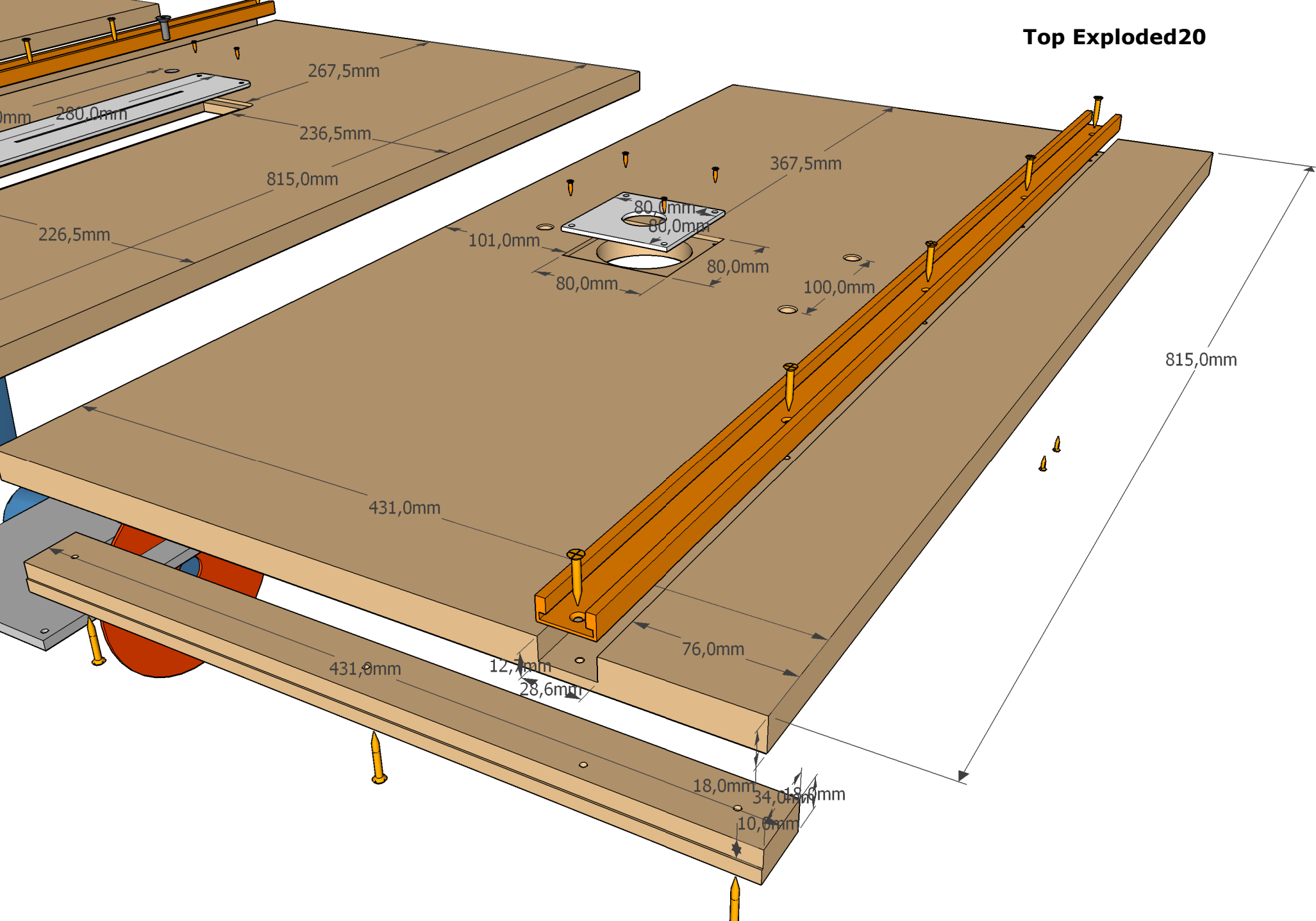
Cabinet Exploded18

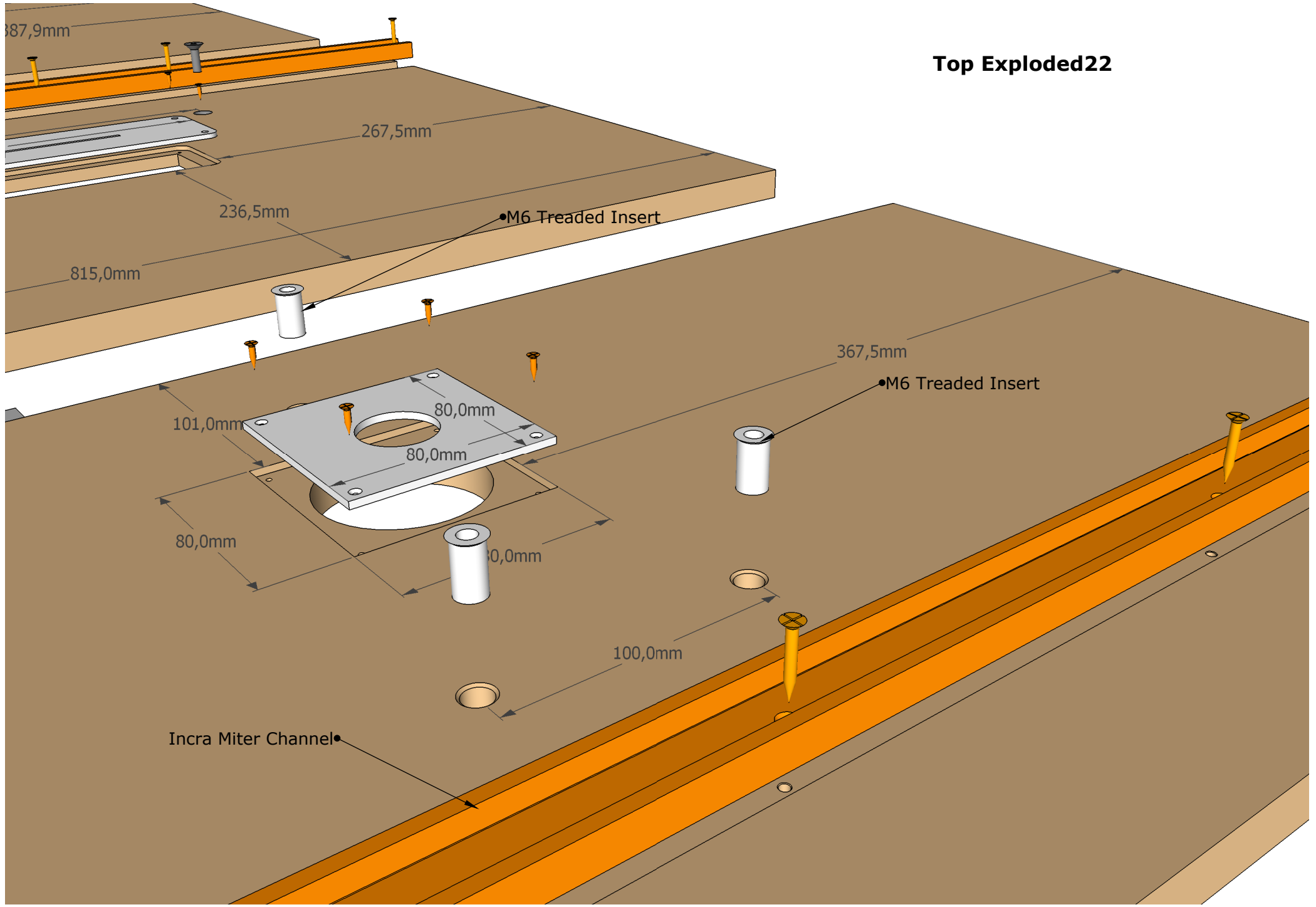


Top Exploded19

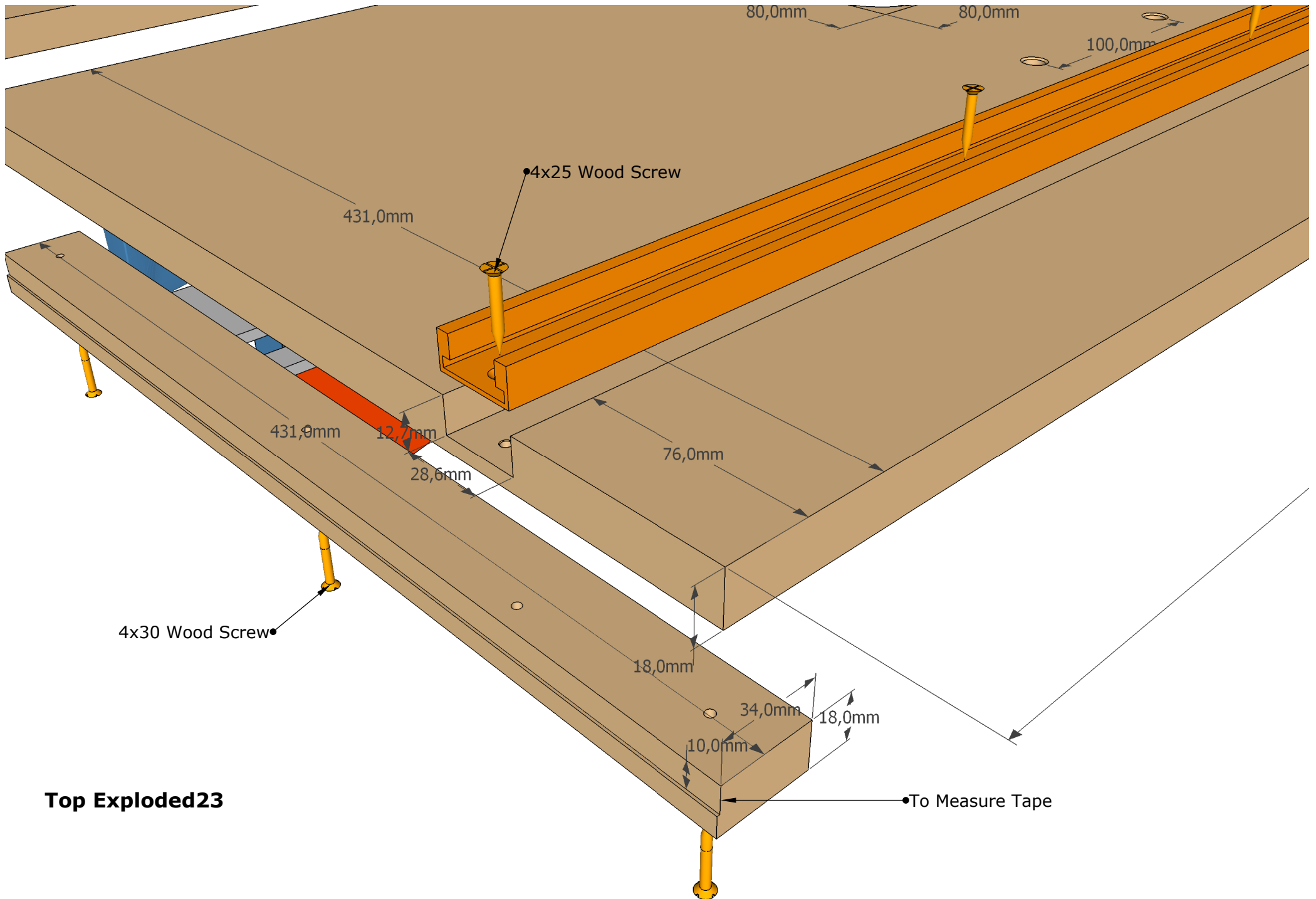


Top Exploded20



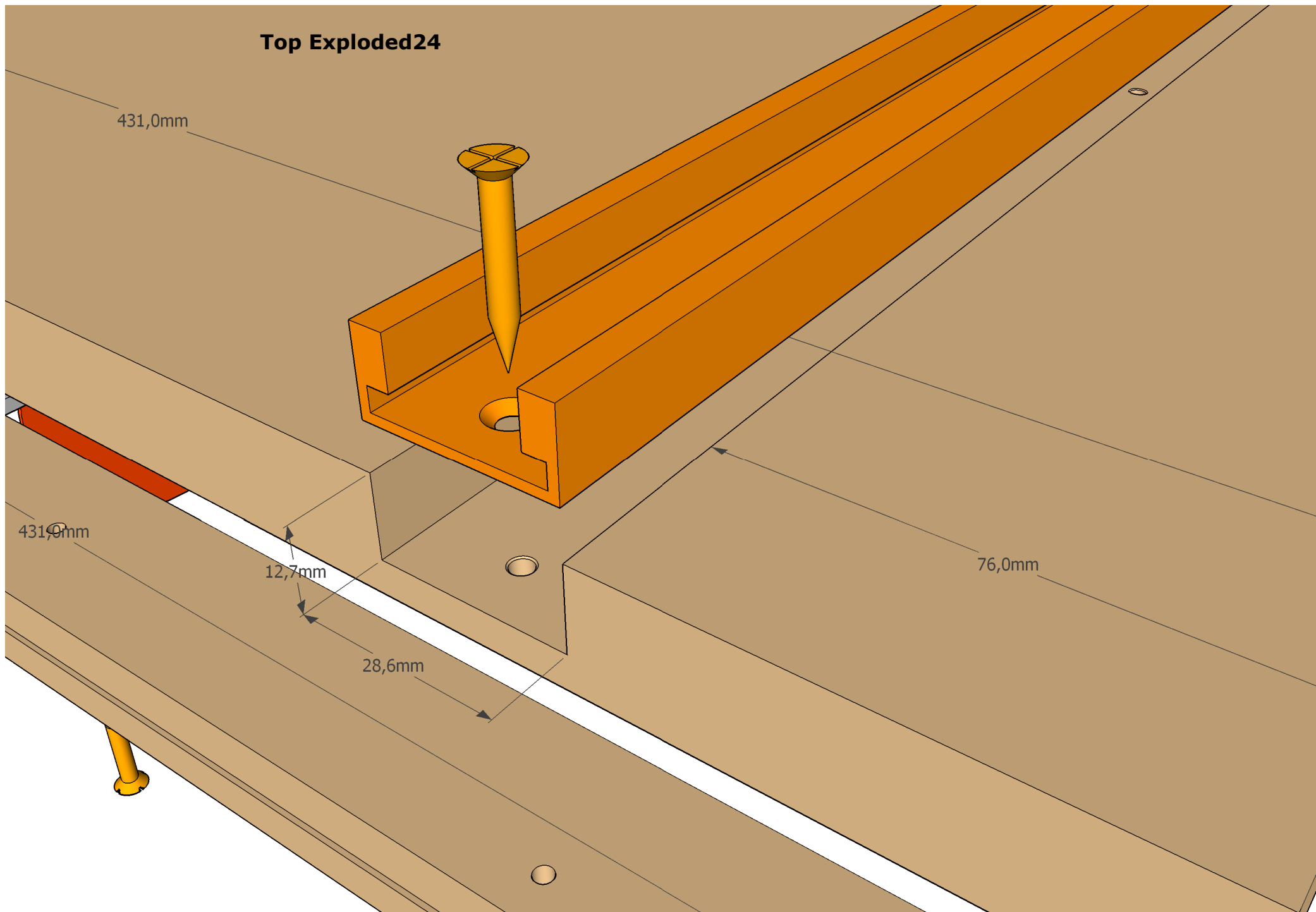


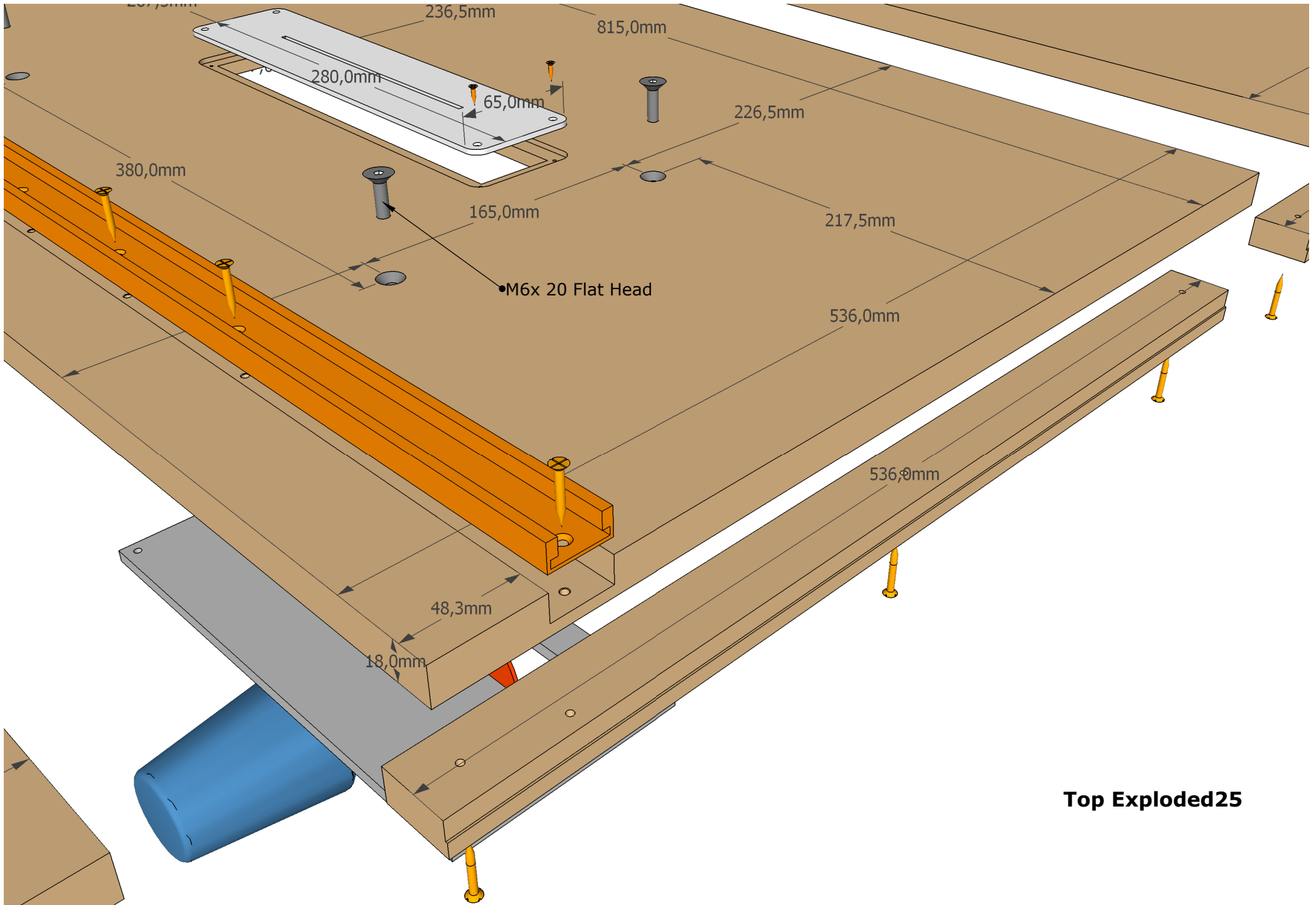
Top Exploded22



Top Exploded23

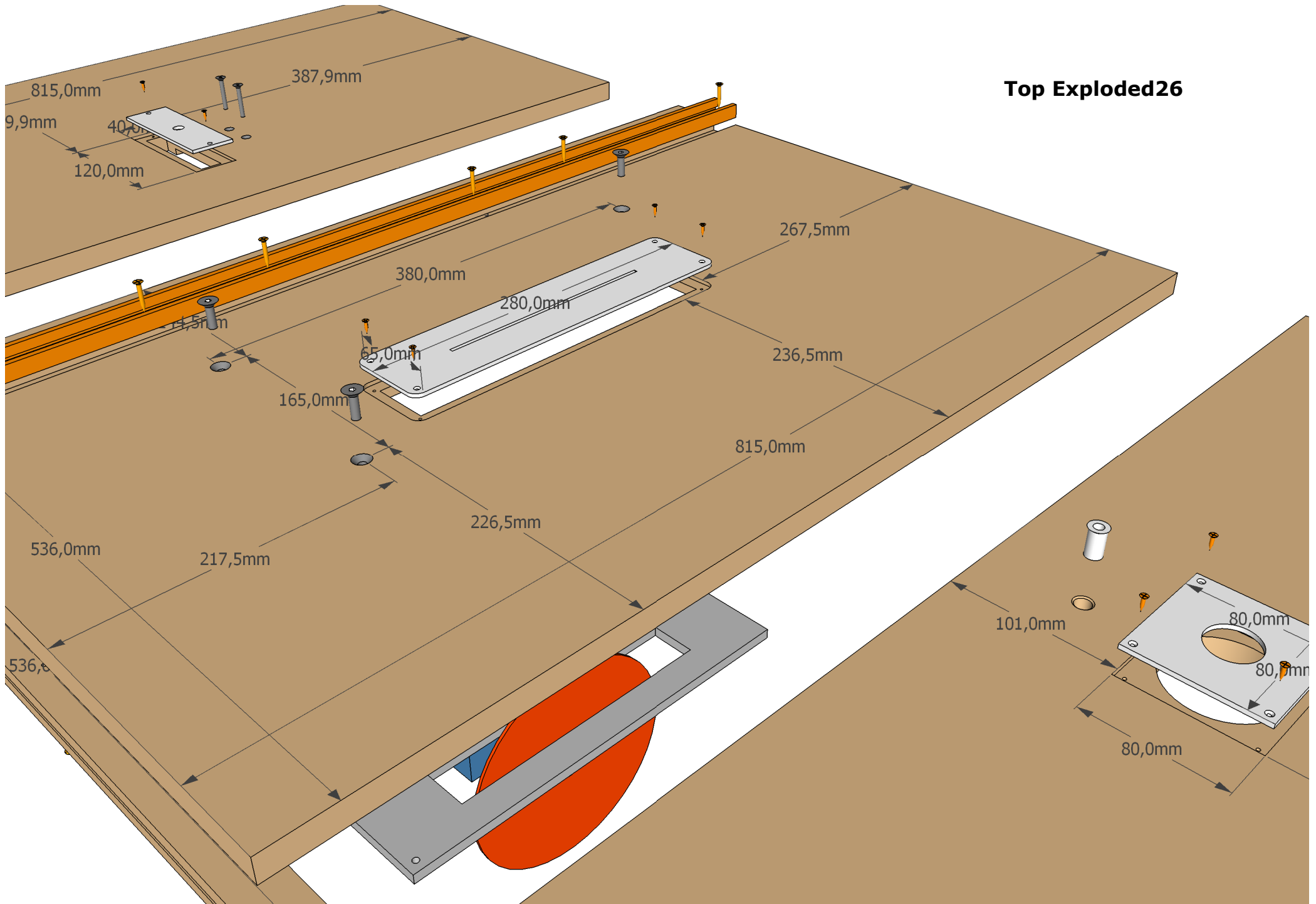
Top Exploded24



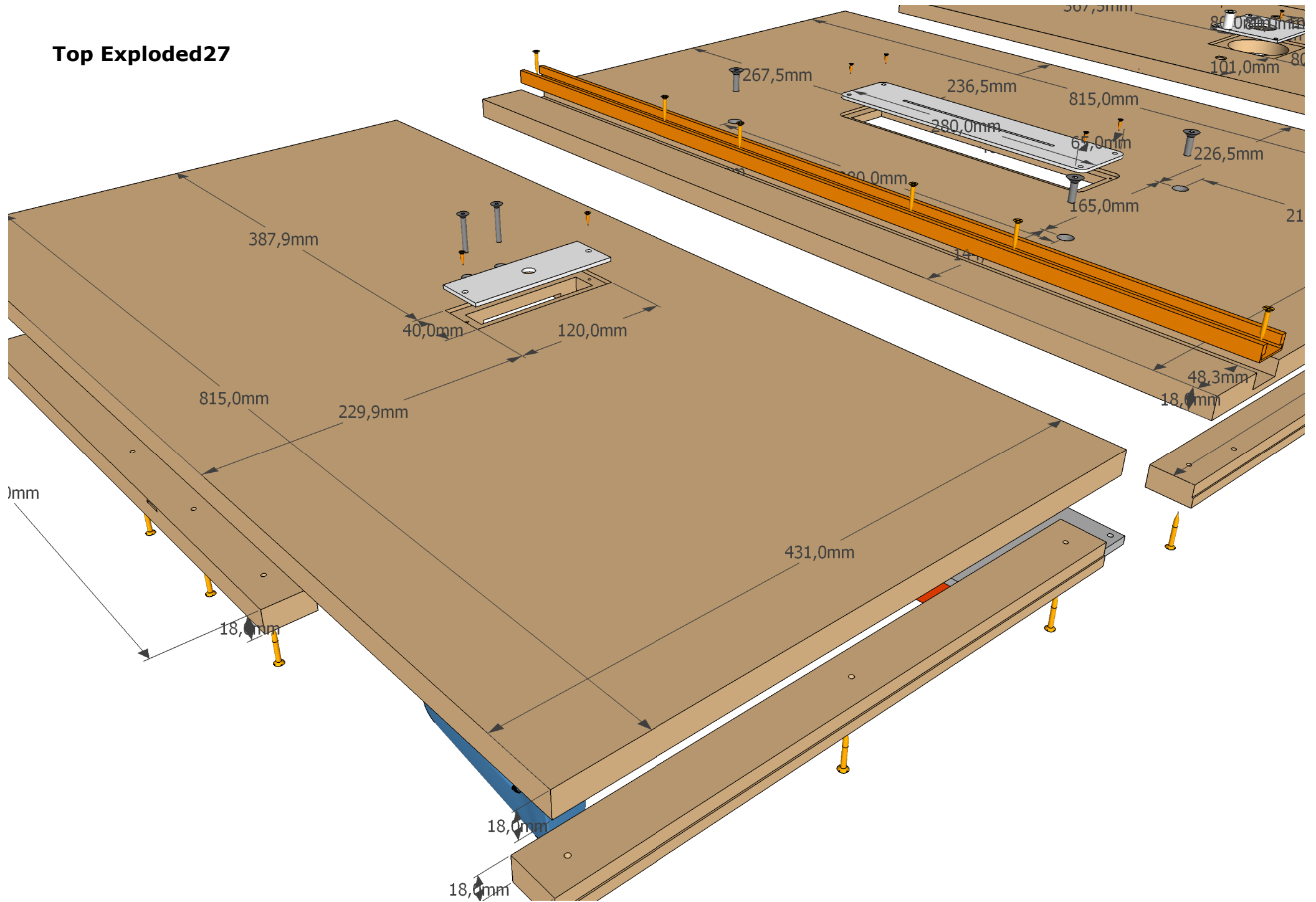


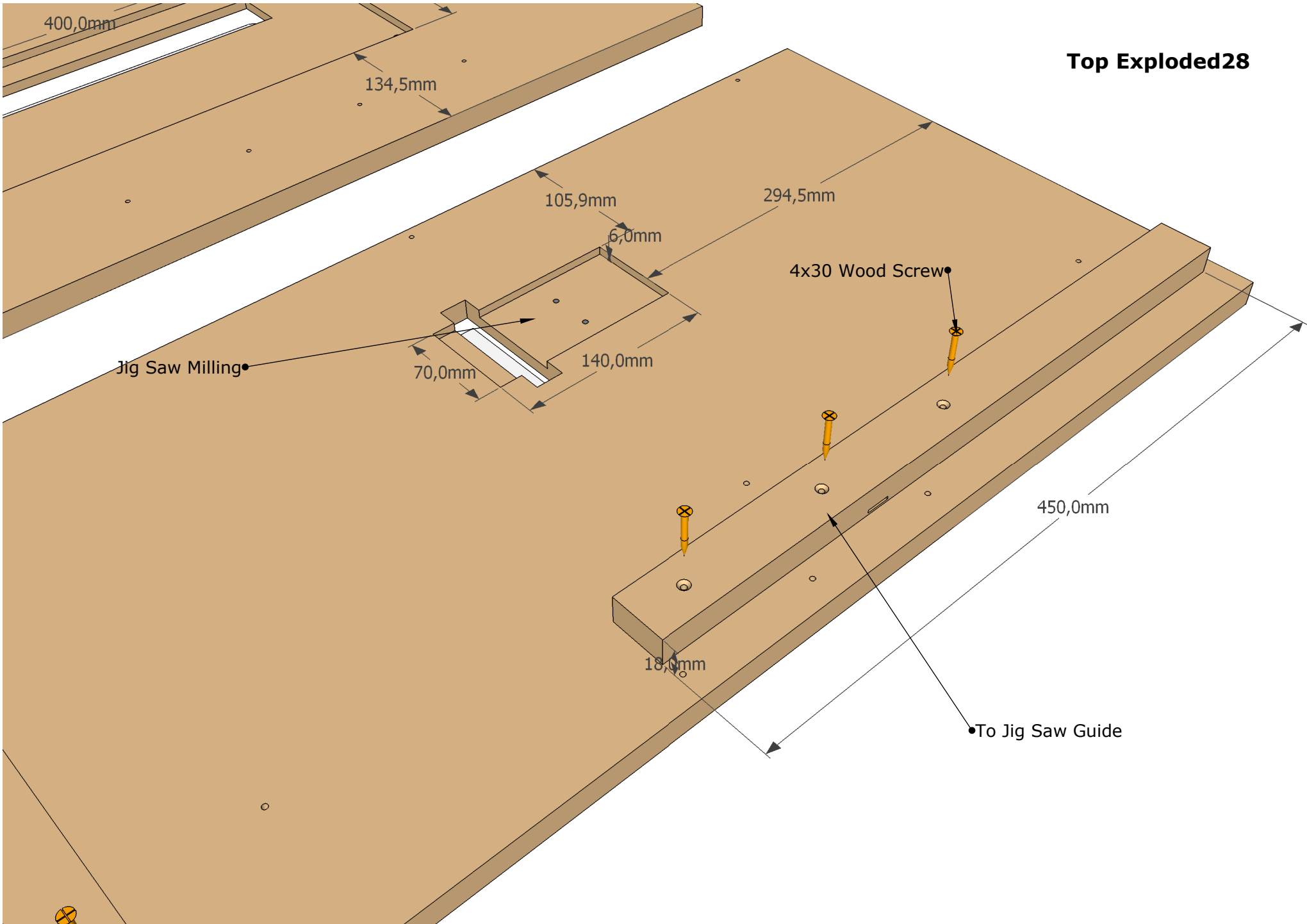
Top Exploded25

Top Exploded26



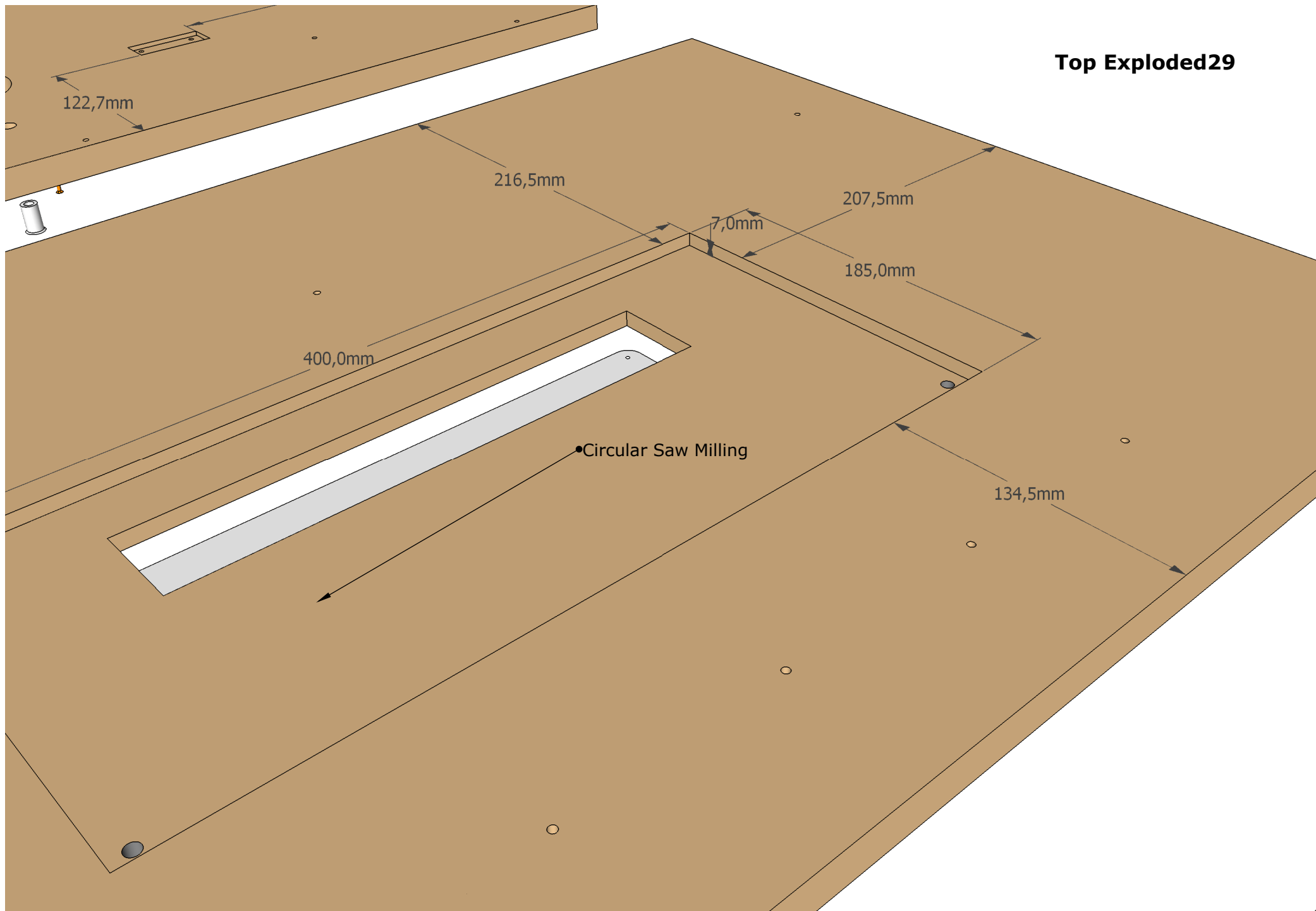
Top Exploded27



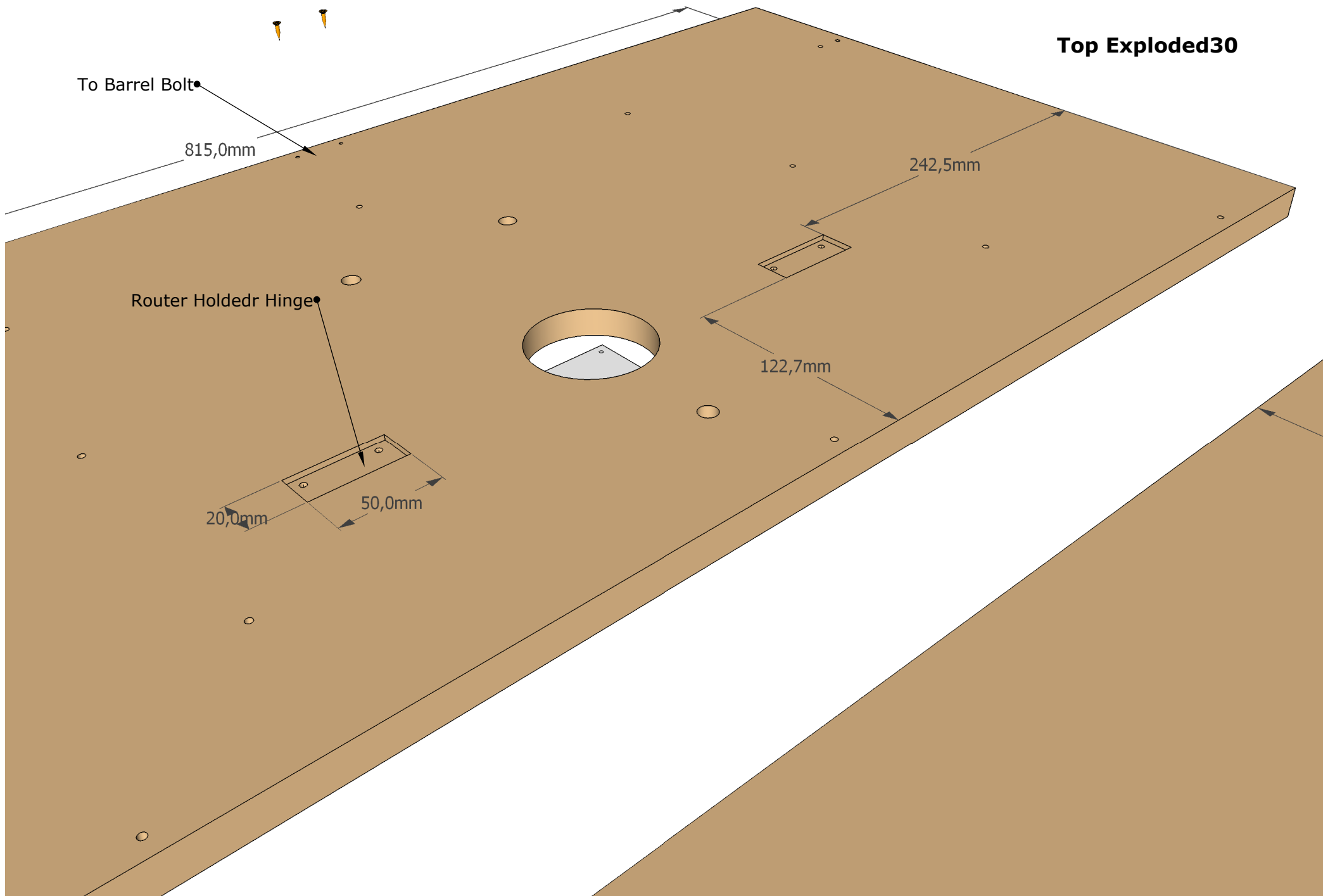


Top Exploded28

Top Exploded29



Top Exploded30



To Barrel Bolt

815,0mm

242,5mm

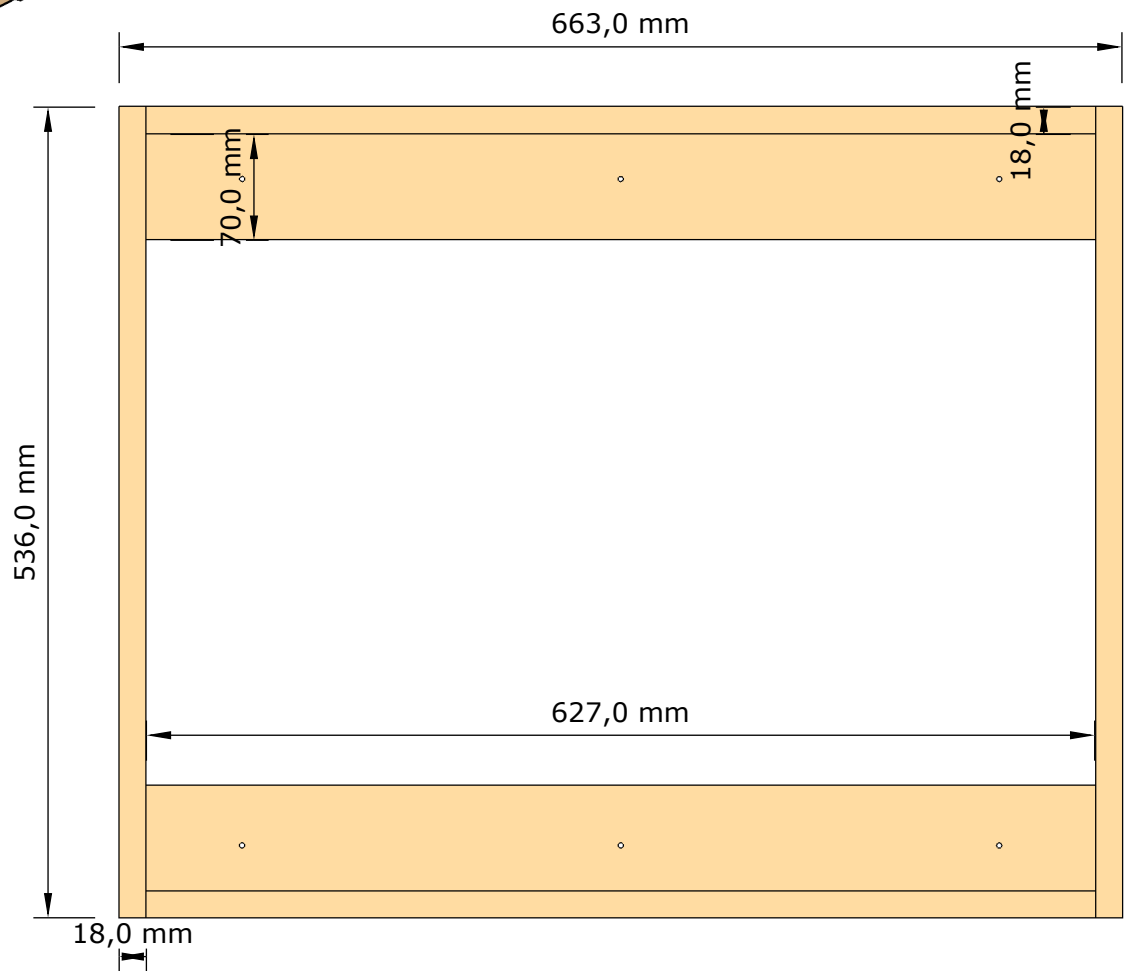
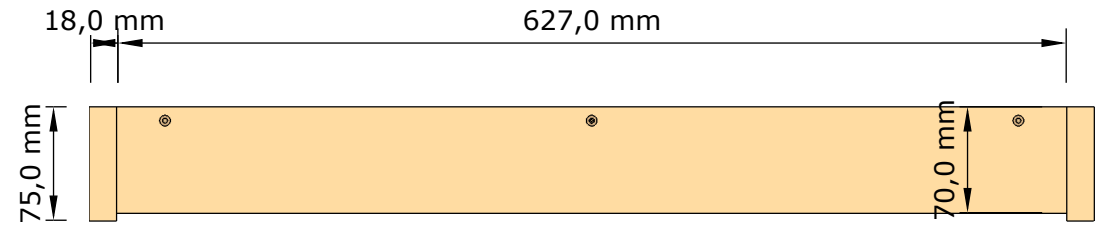
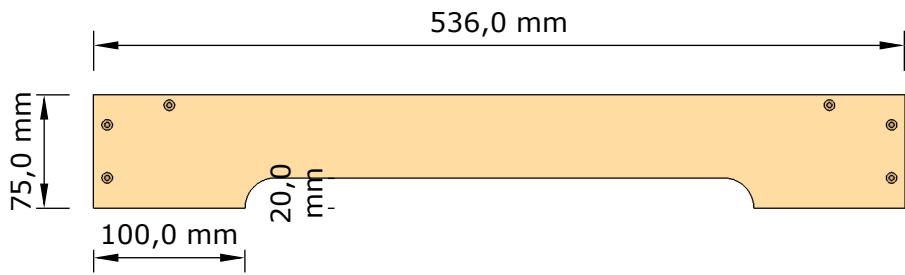
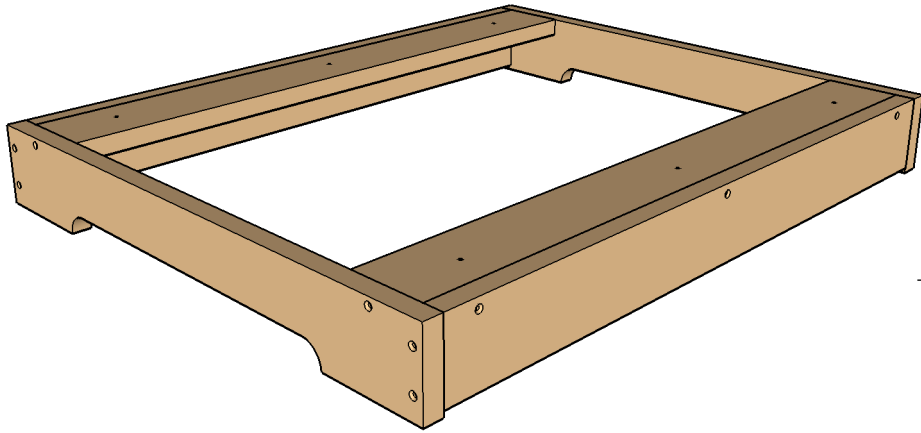
Router Holdedr Hinge

122,7mm

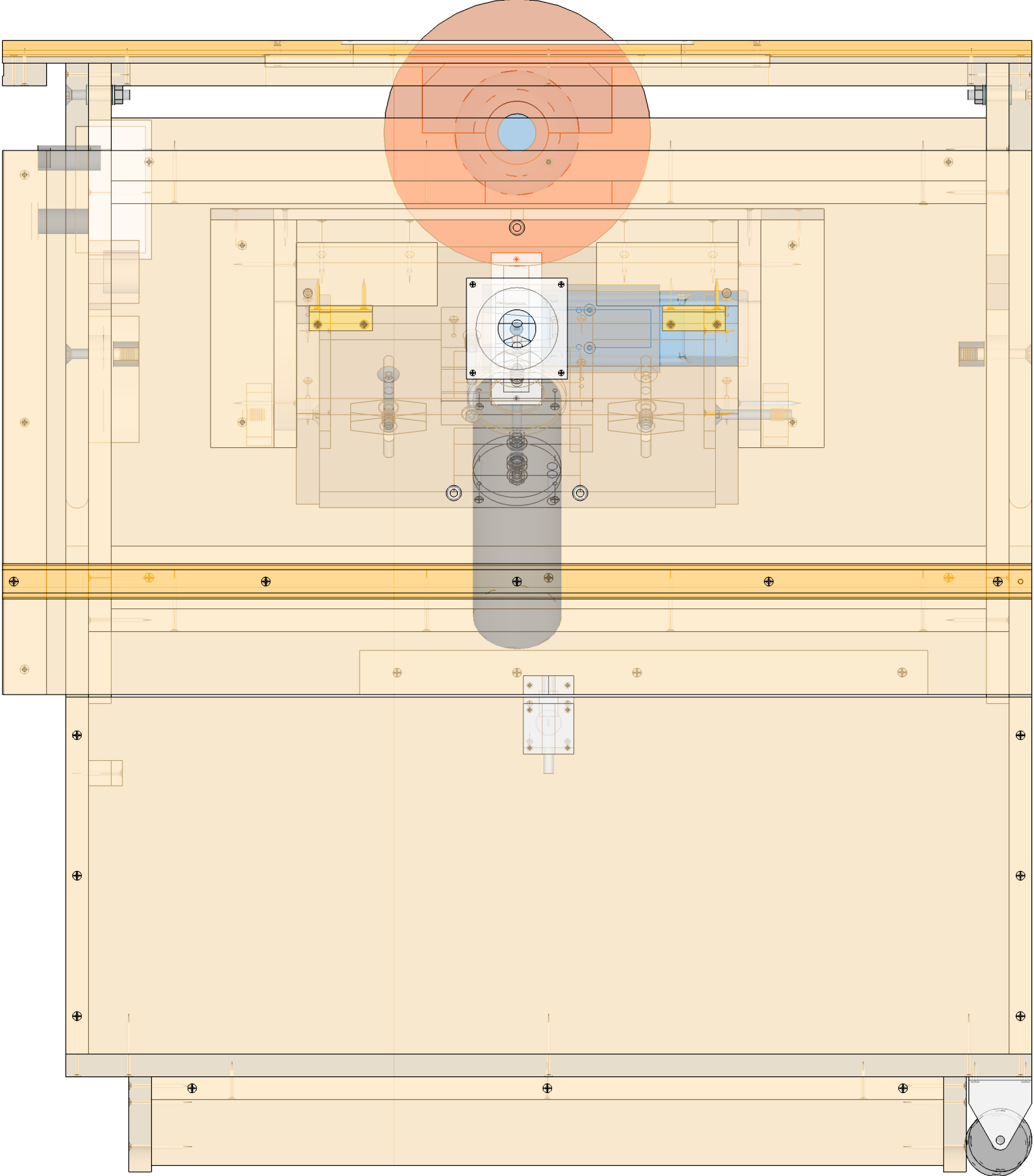
20,0mm

50,0mm

Base Views 1/5 Scale

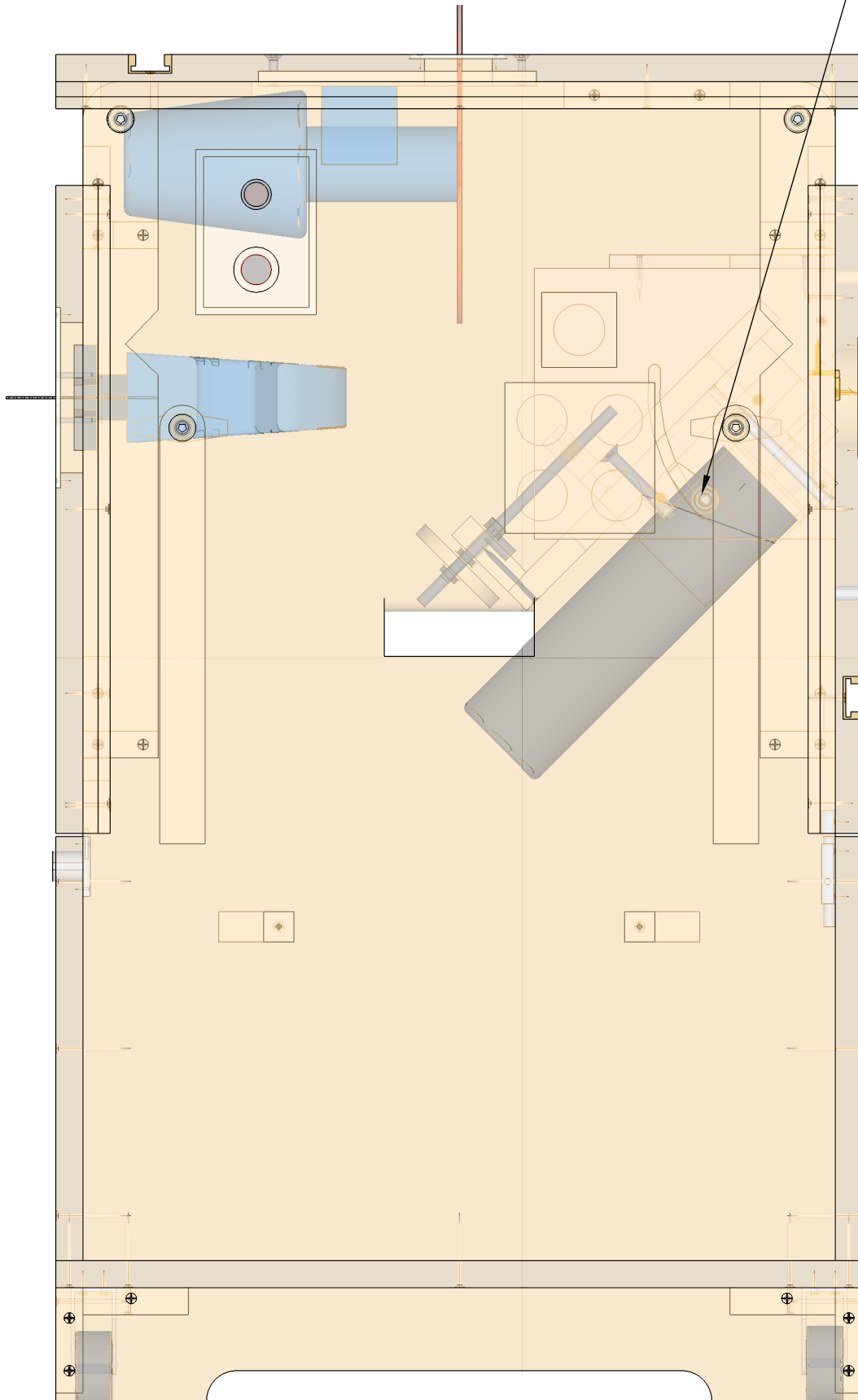


Closed X Ray Right

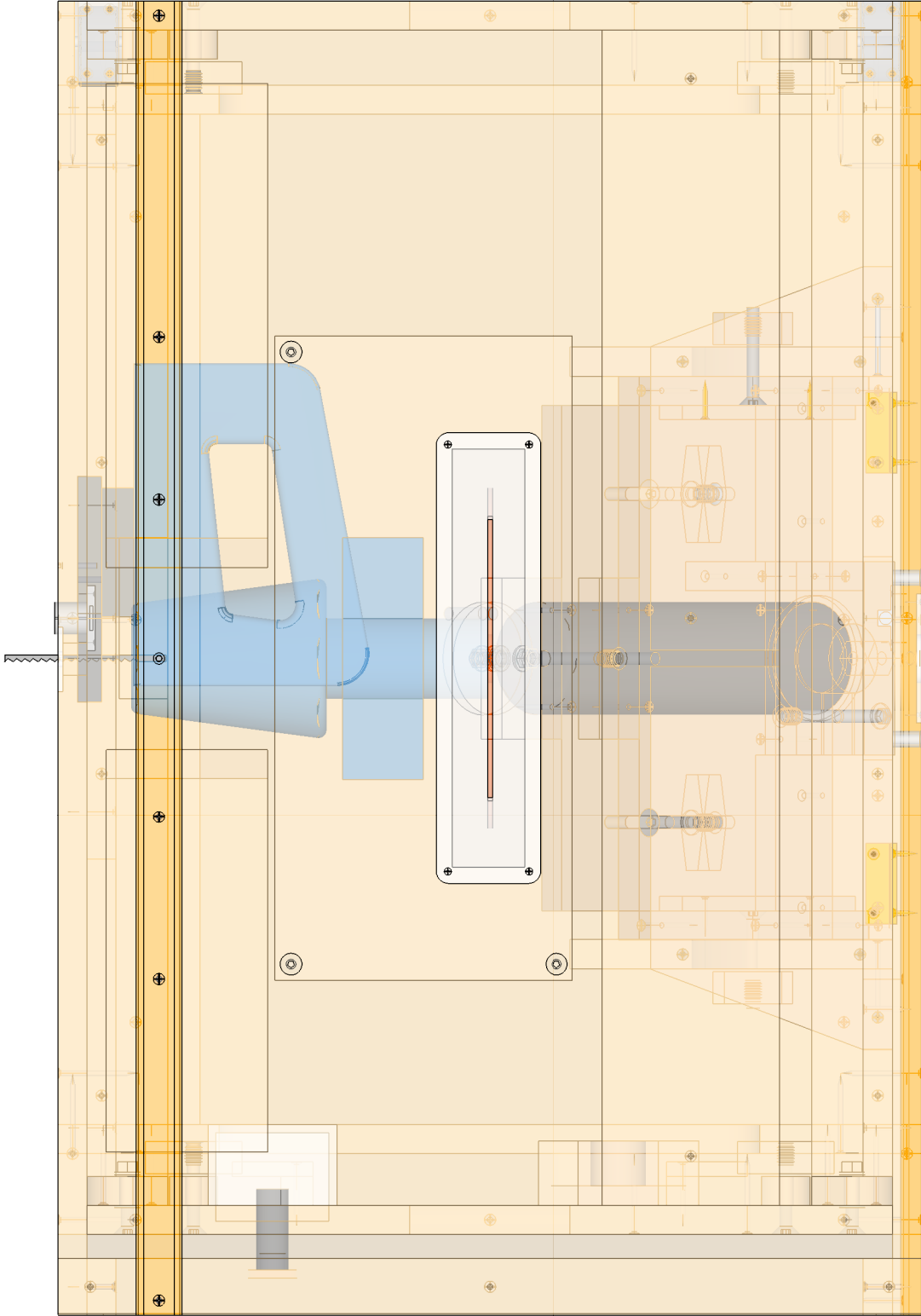


Closed X Ray

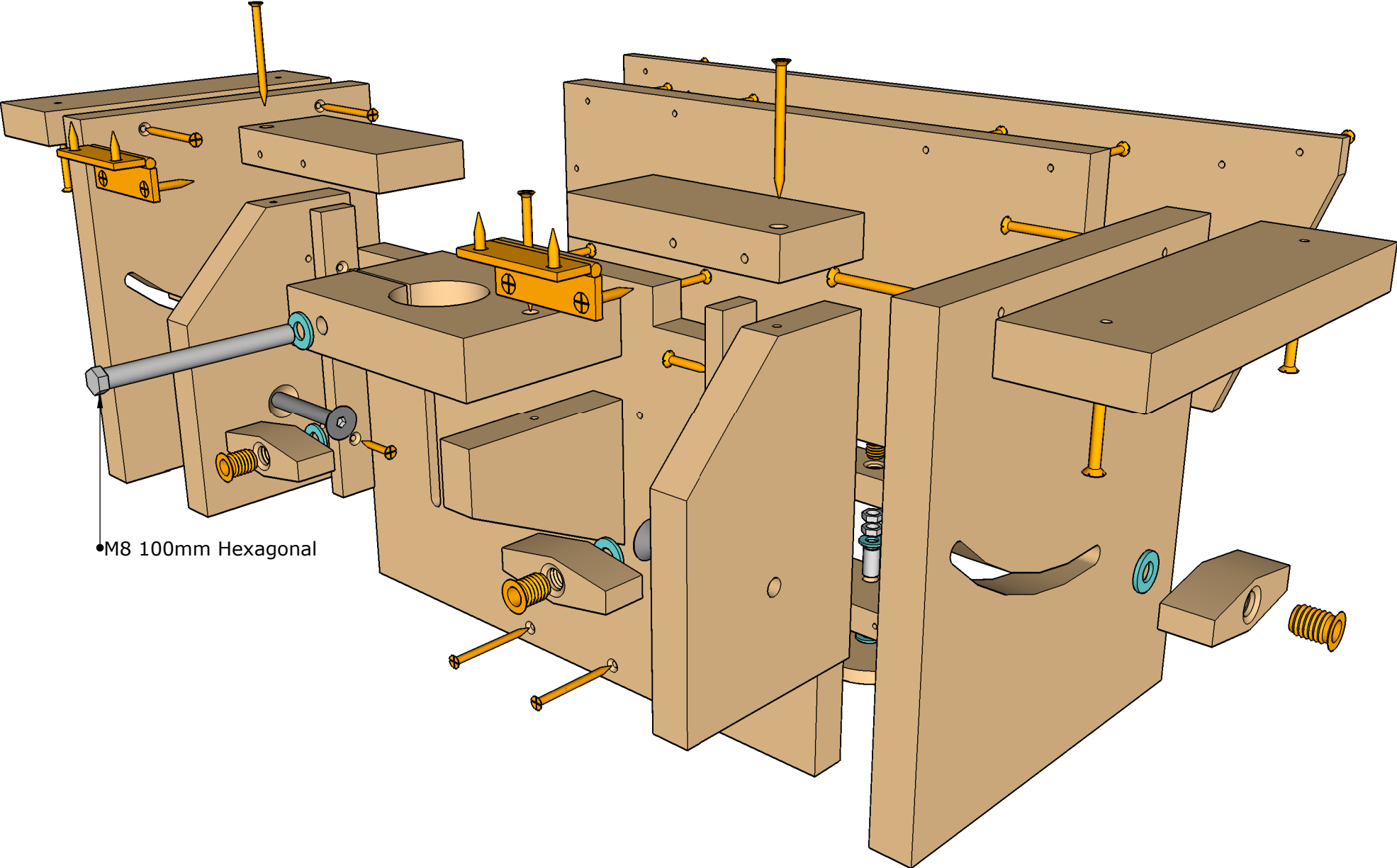
Router must be 45° to close the cover



Closed Top

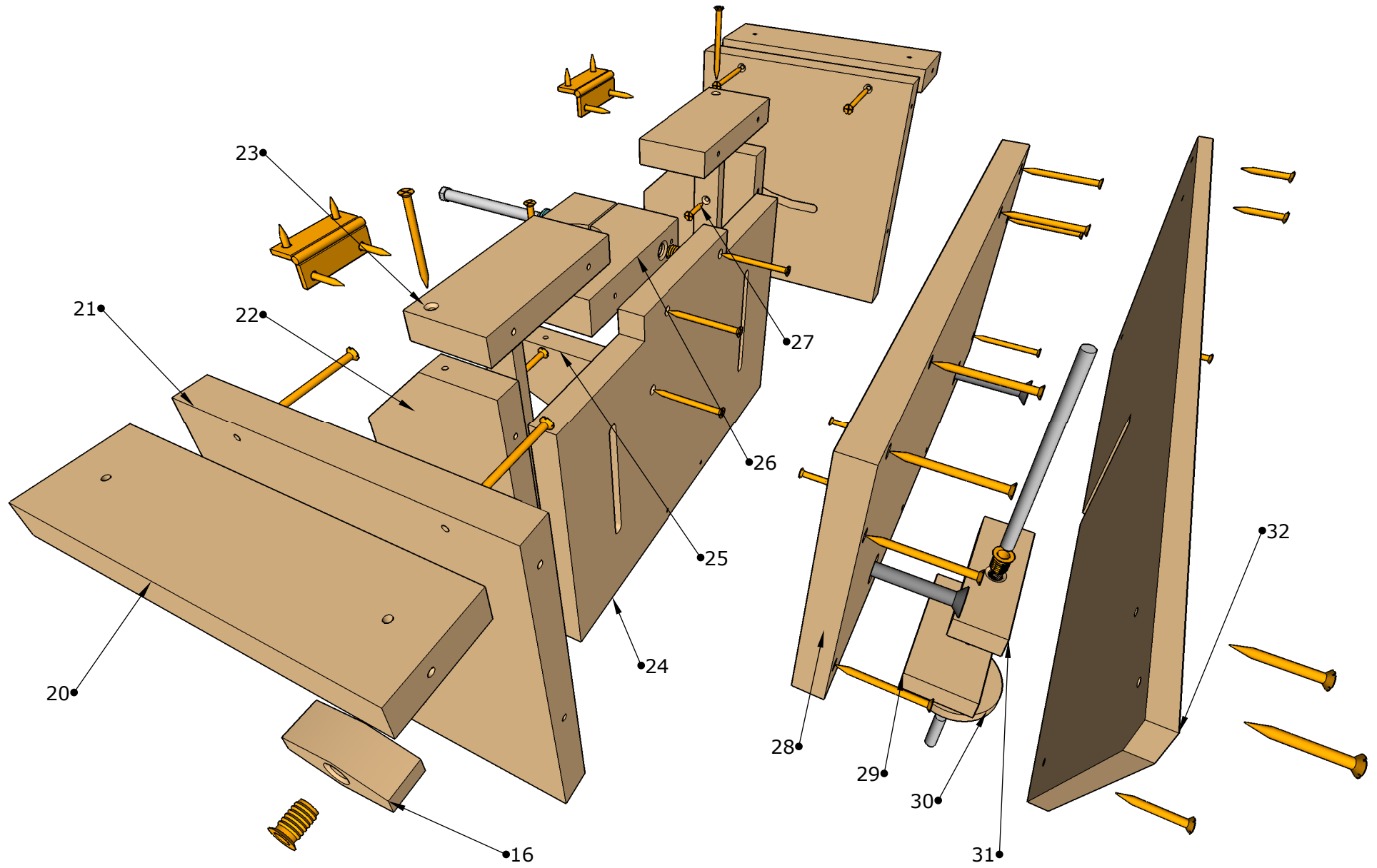


Router Holder - ISO

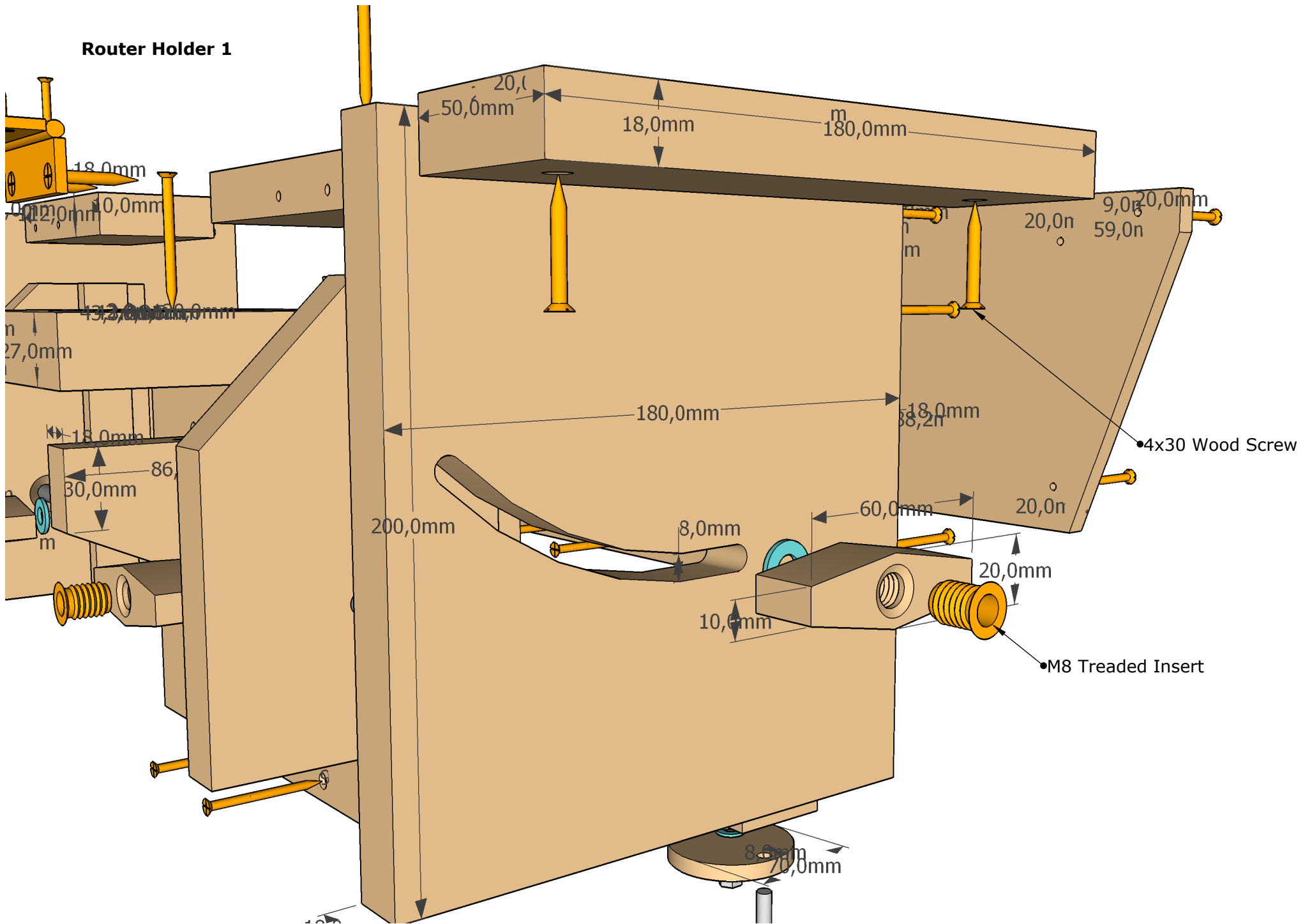


•M8 100mm Hexagonal

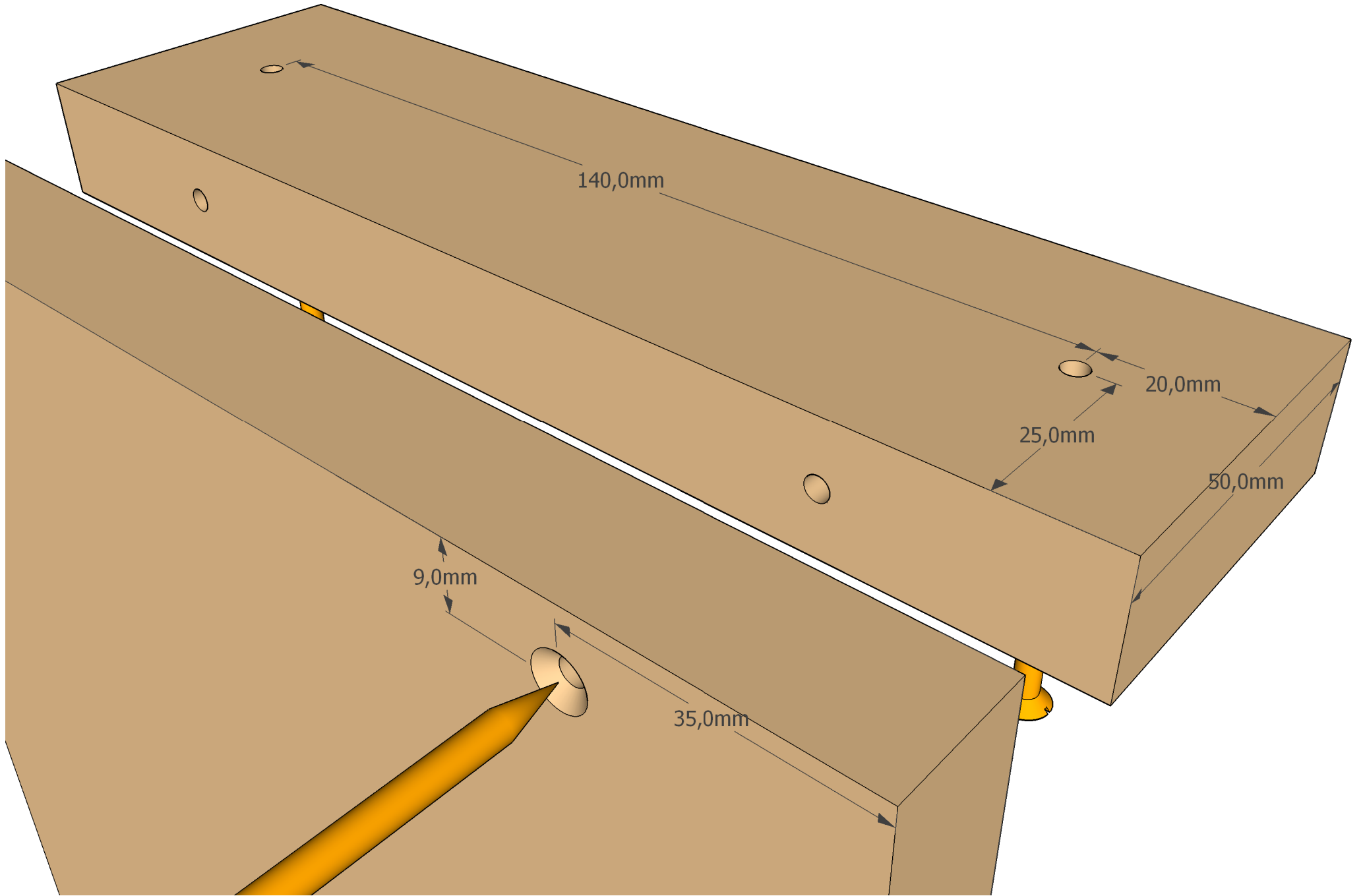
Router Holder Numbers



Router Holder 1

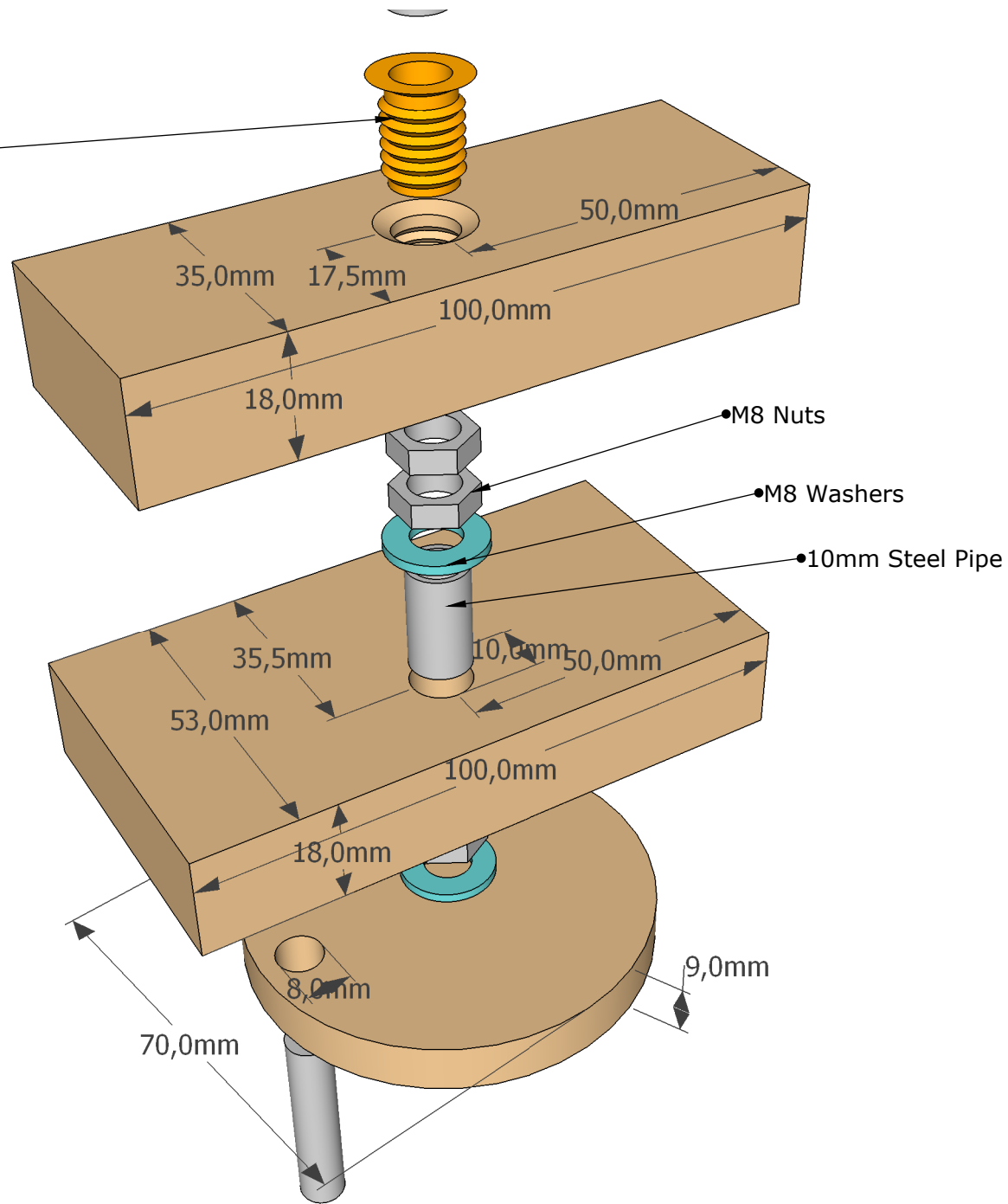


Router Holder 2

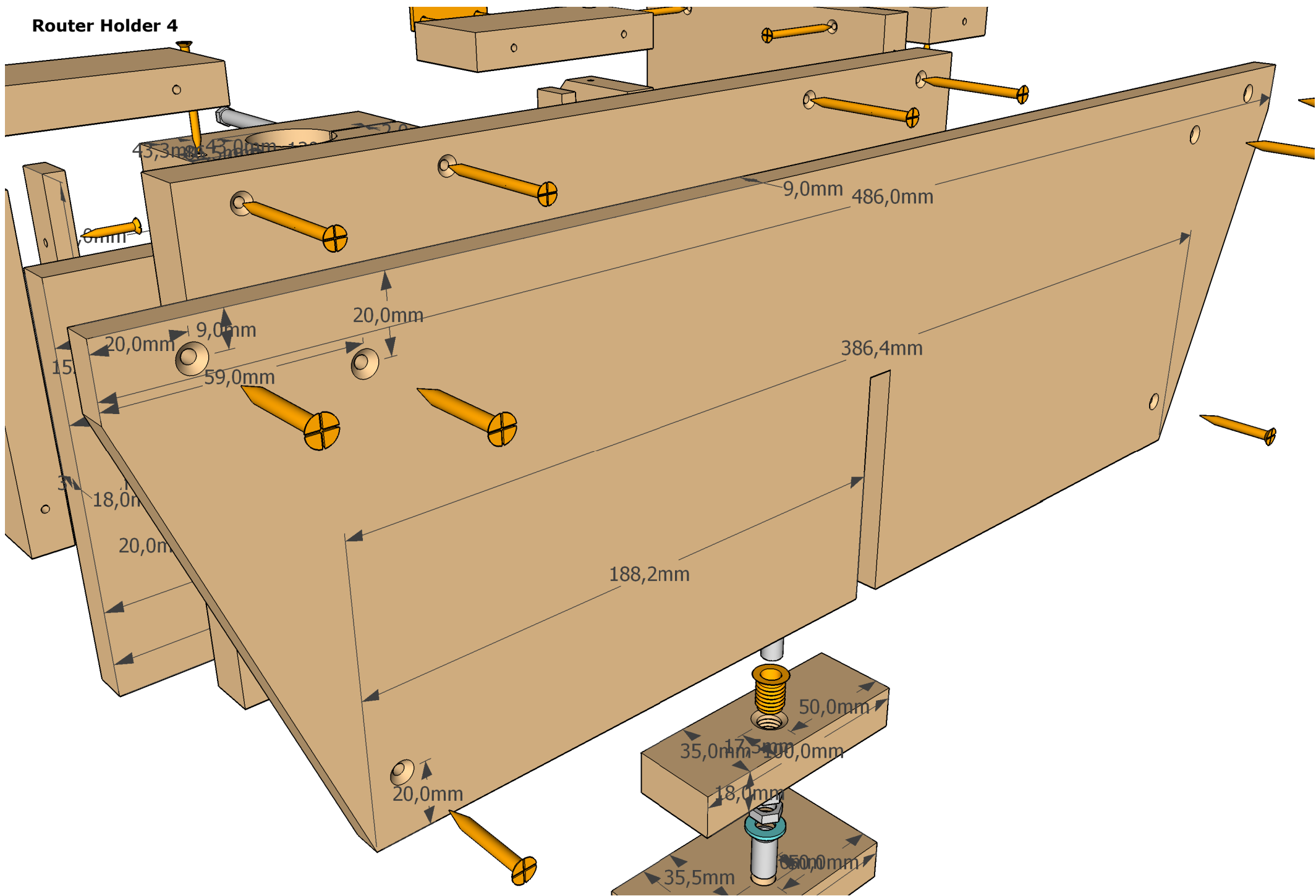


Router Holder 3

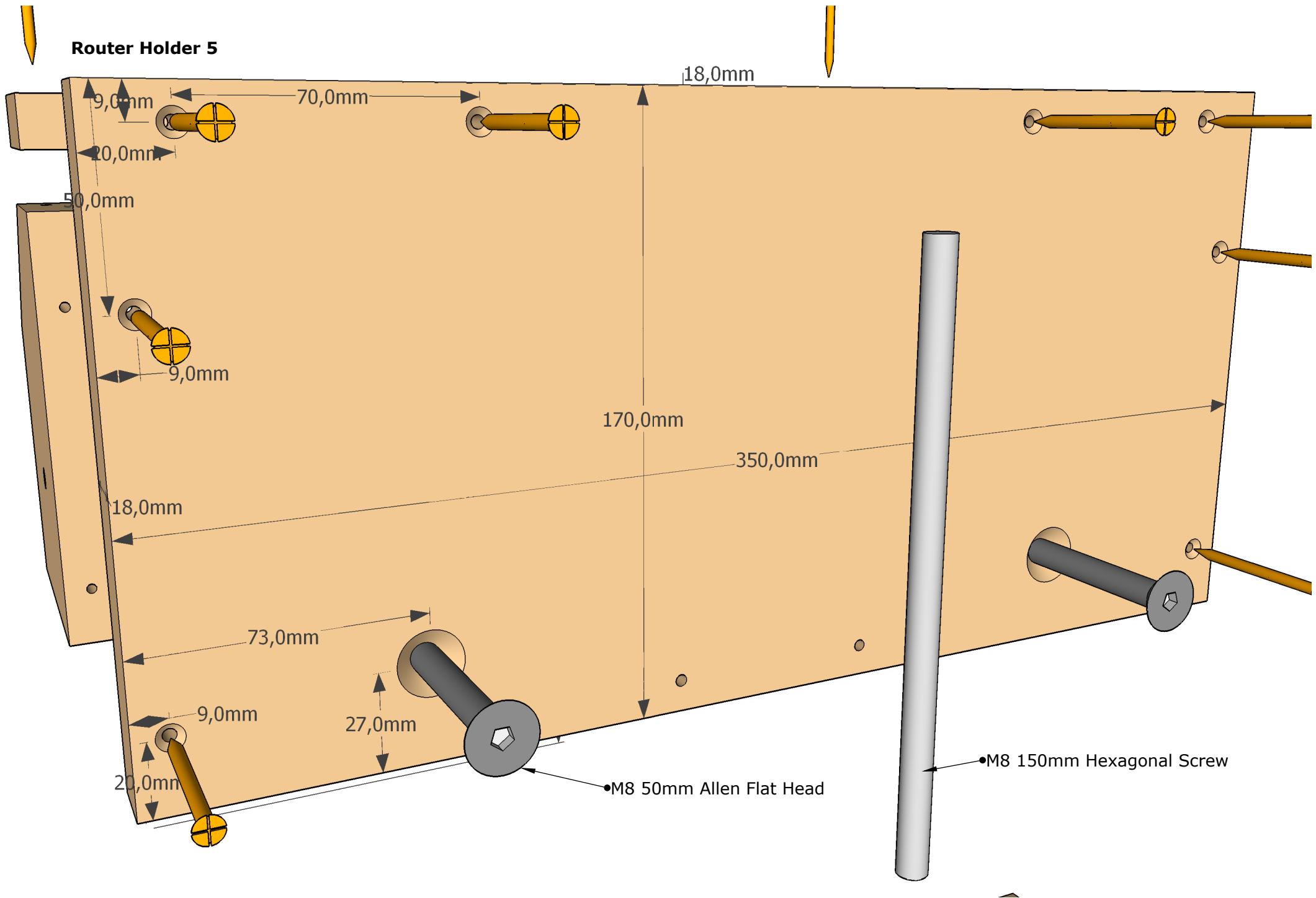
M8 Treaded Insert



Router Holder 4

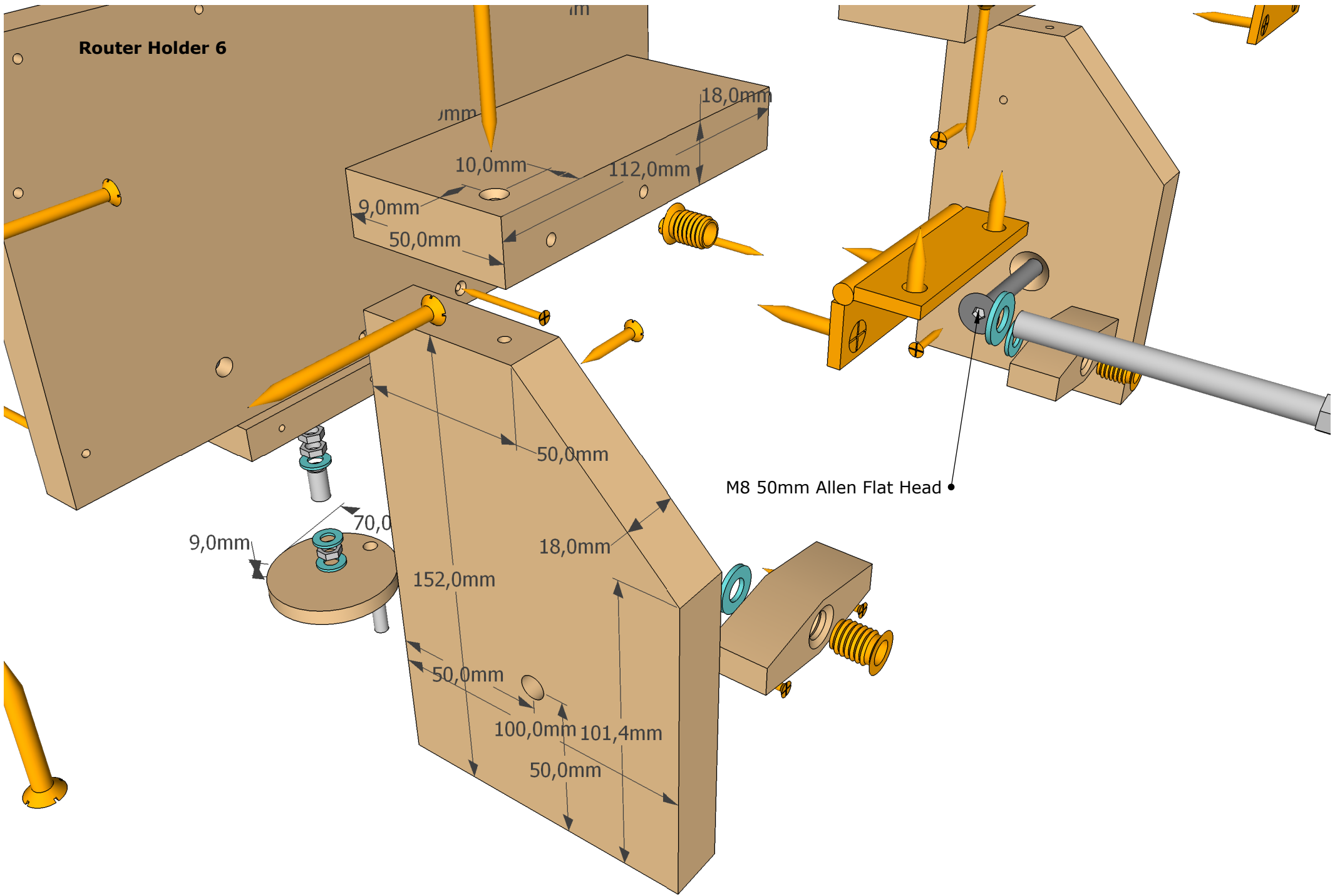


Router Holder 5

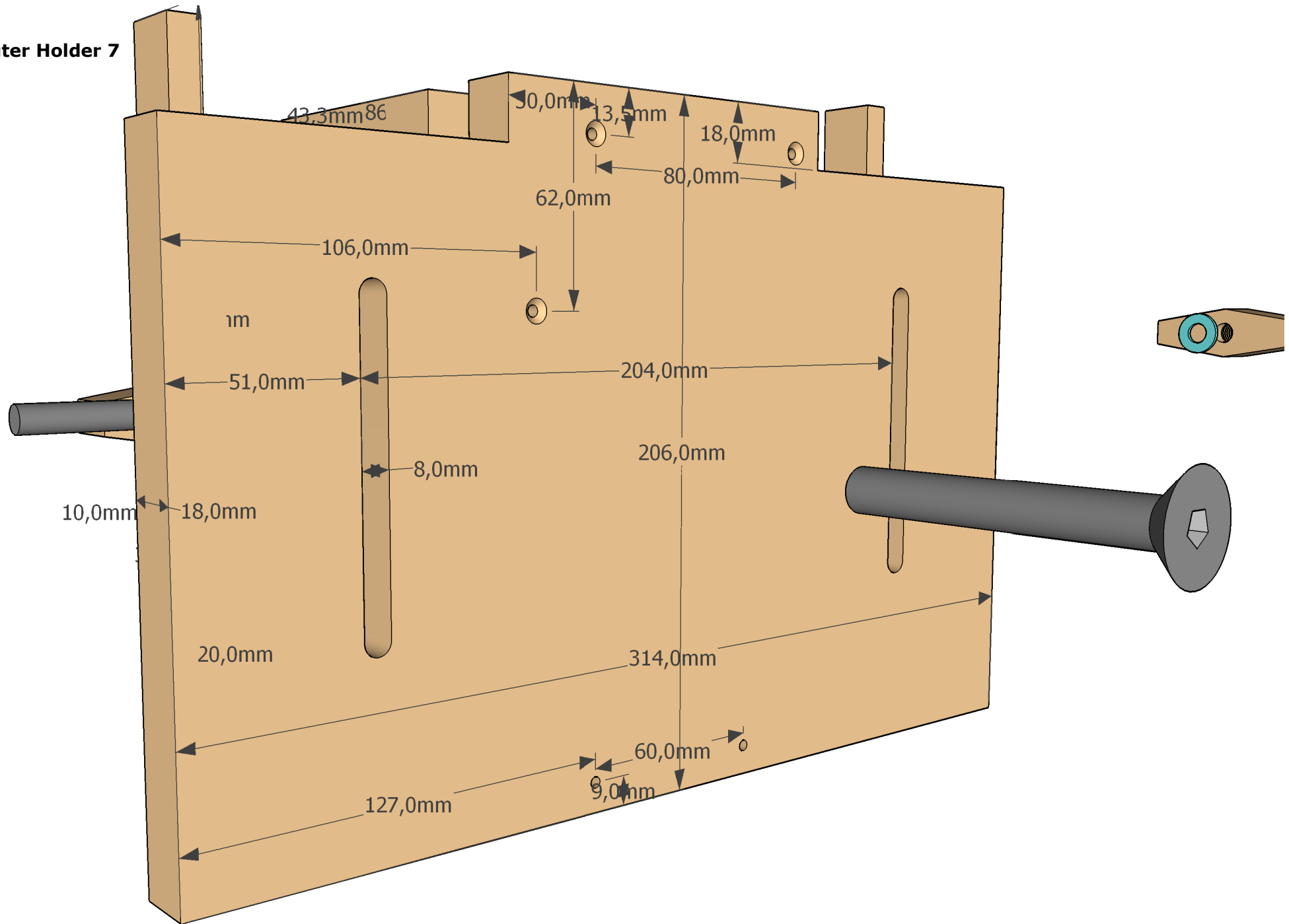


•M8 50mm Allen Flat Head

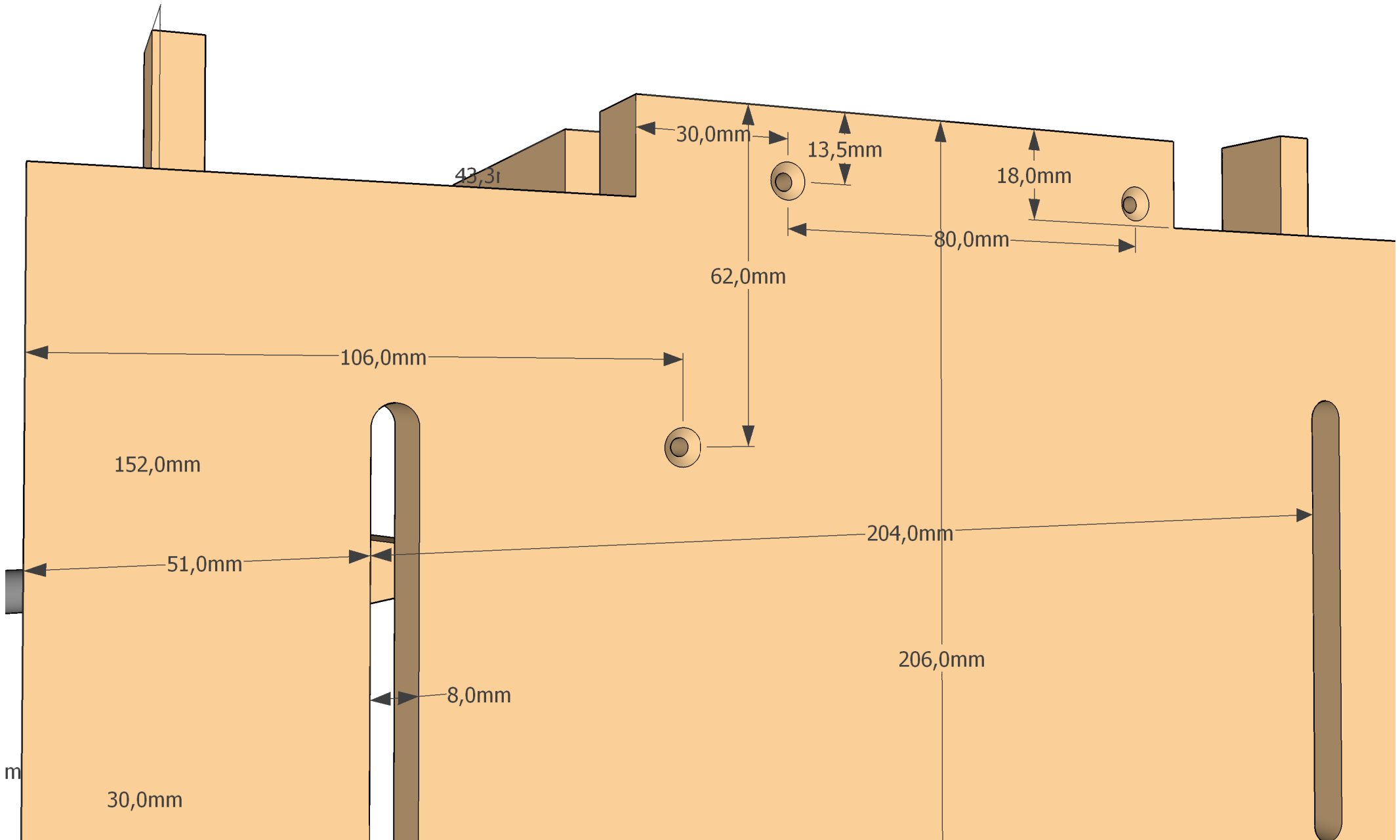
•M8 150mm Hexagonal Screw



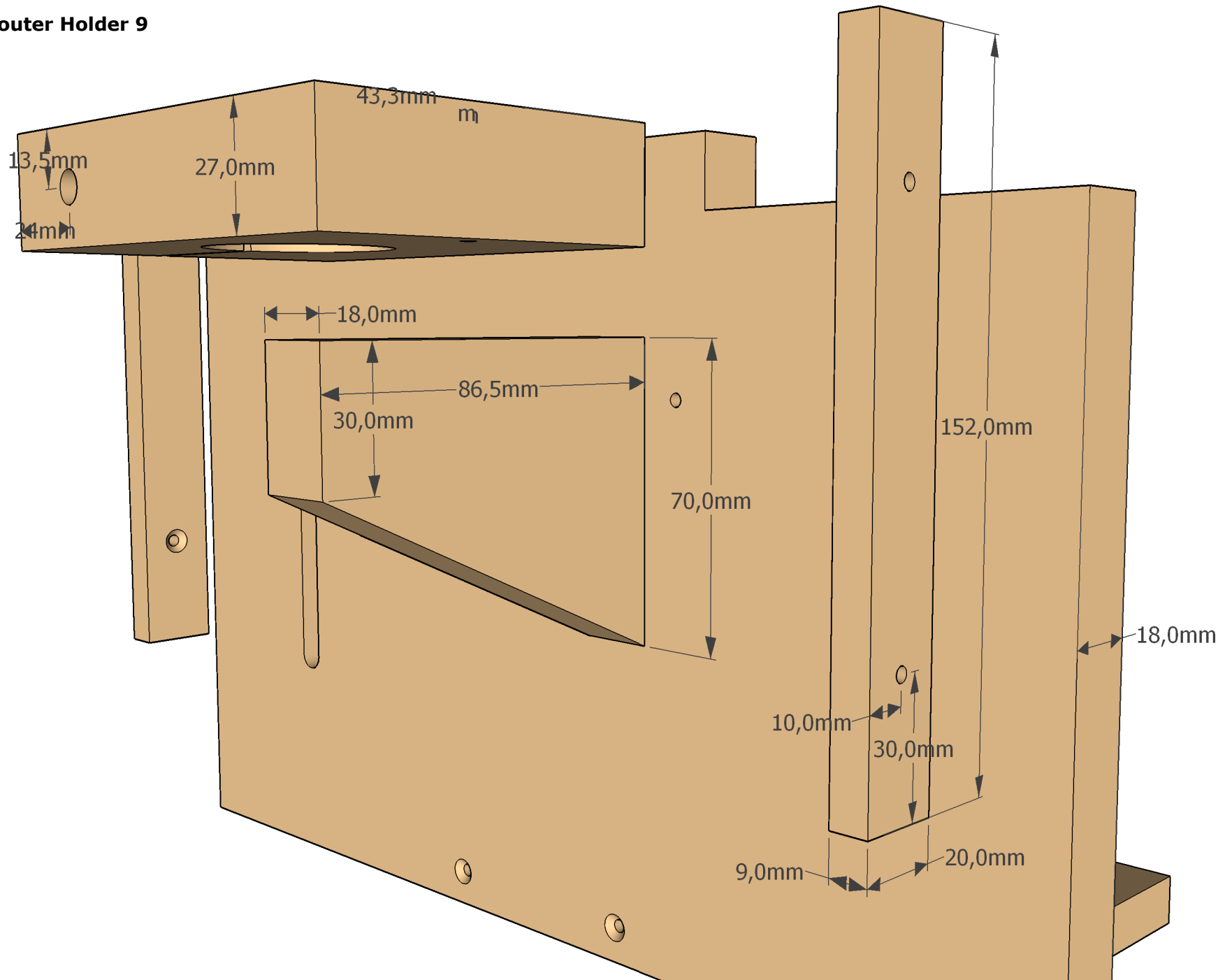
Router Holder 7



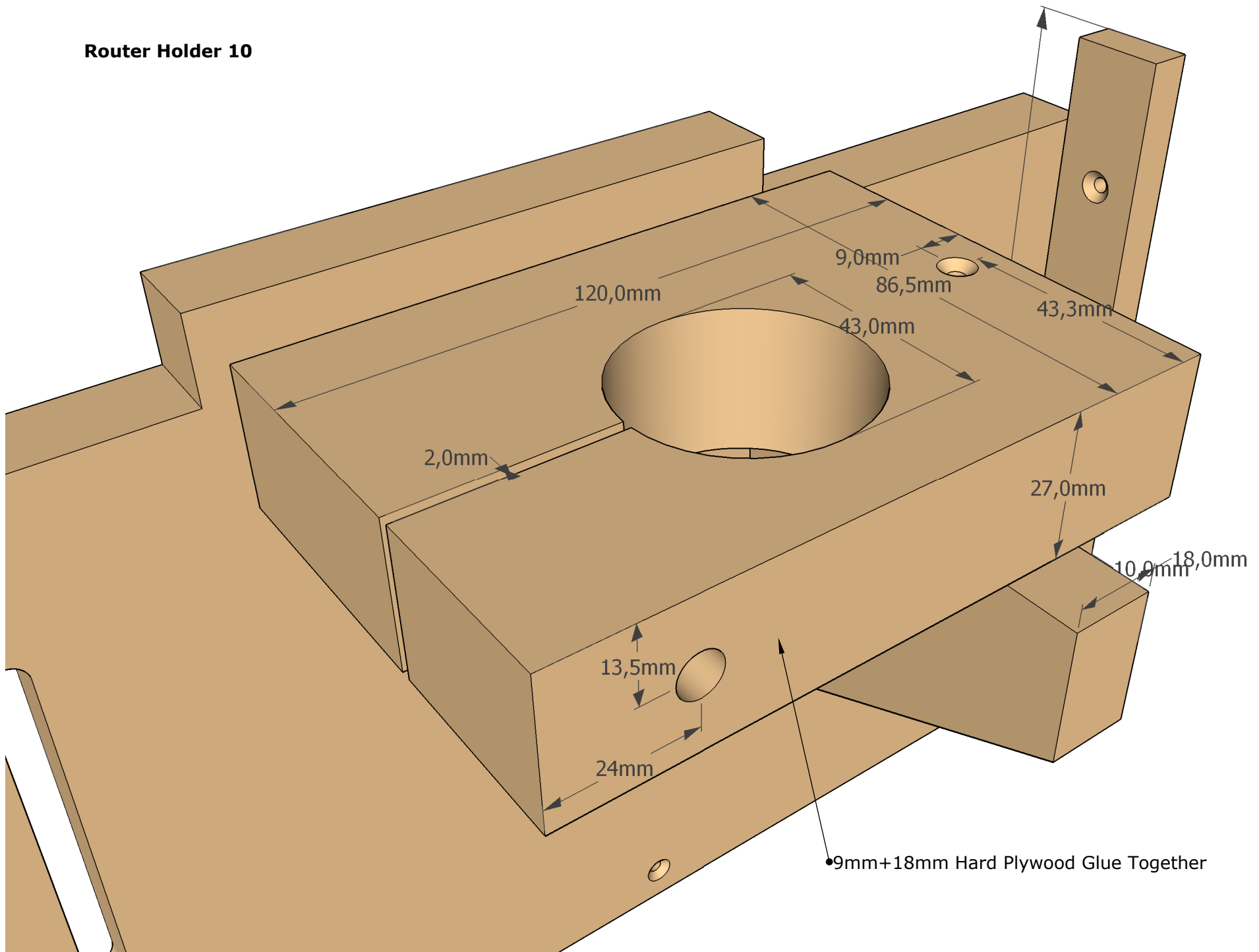
Router Holder 8



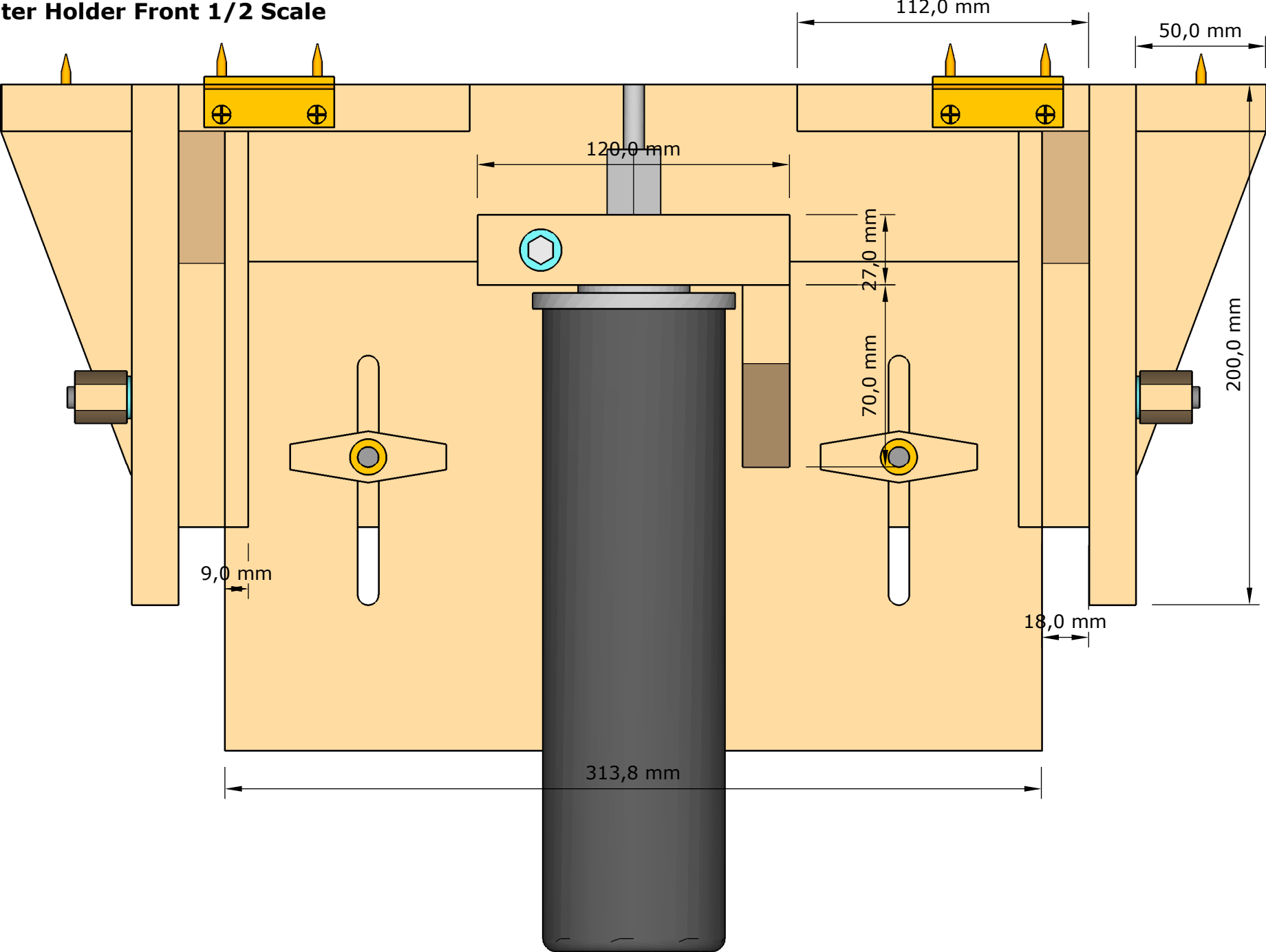
Router Holder 9



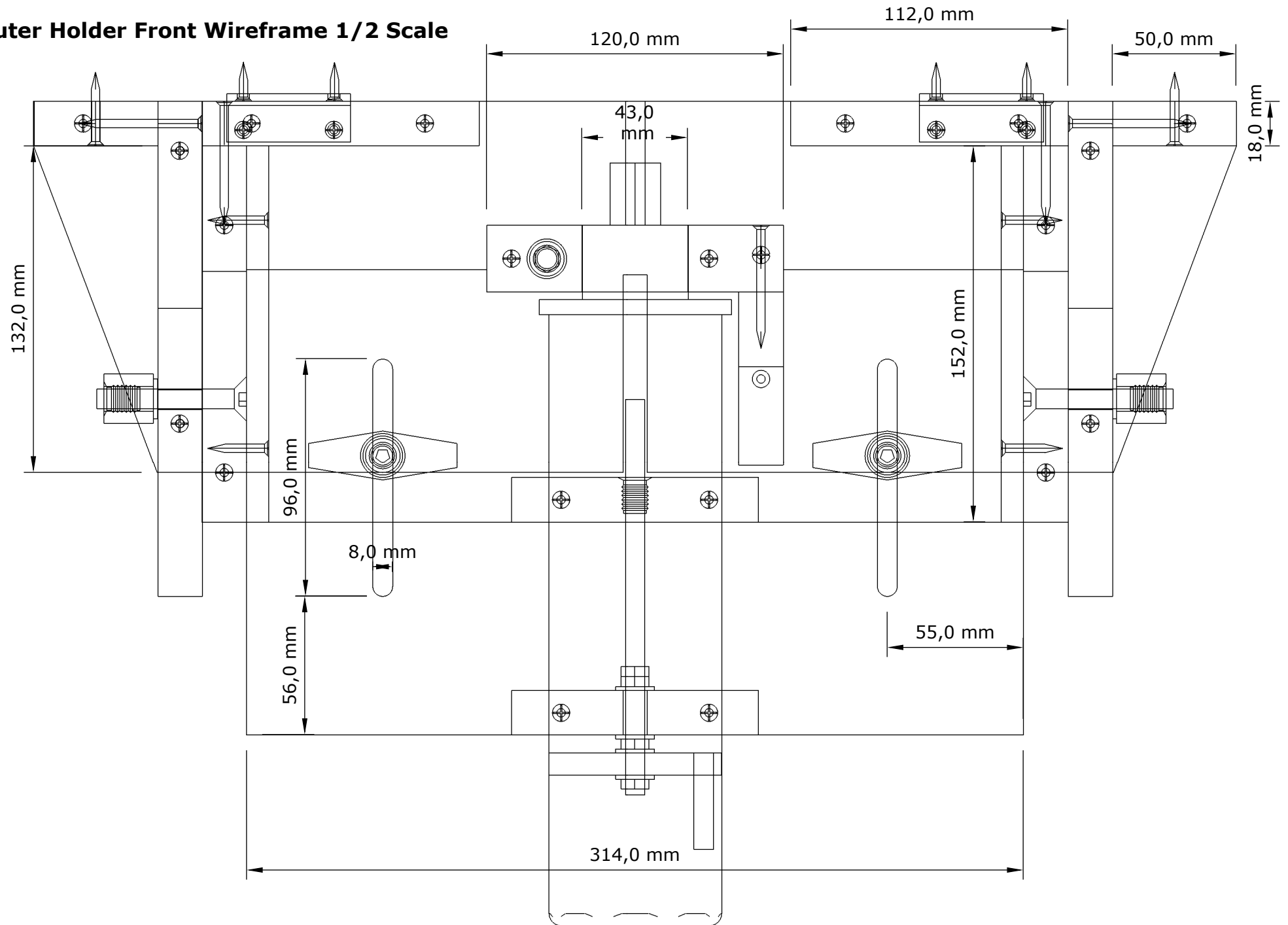
Router Holder 10



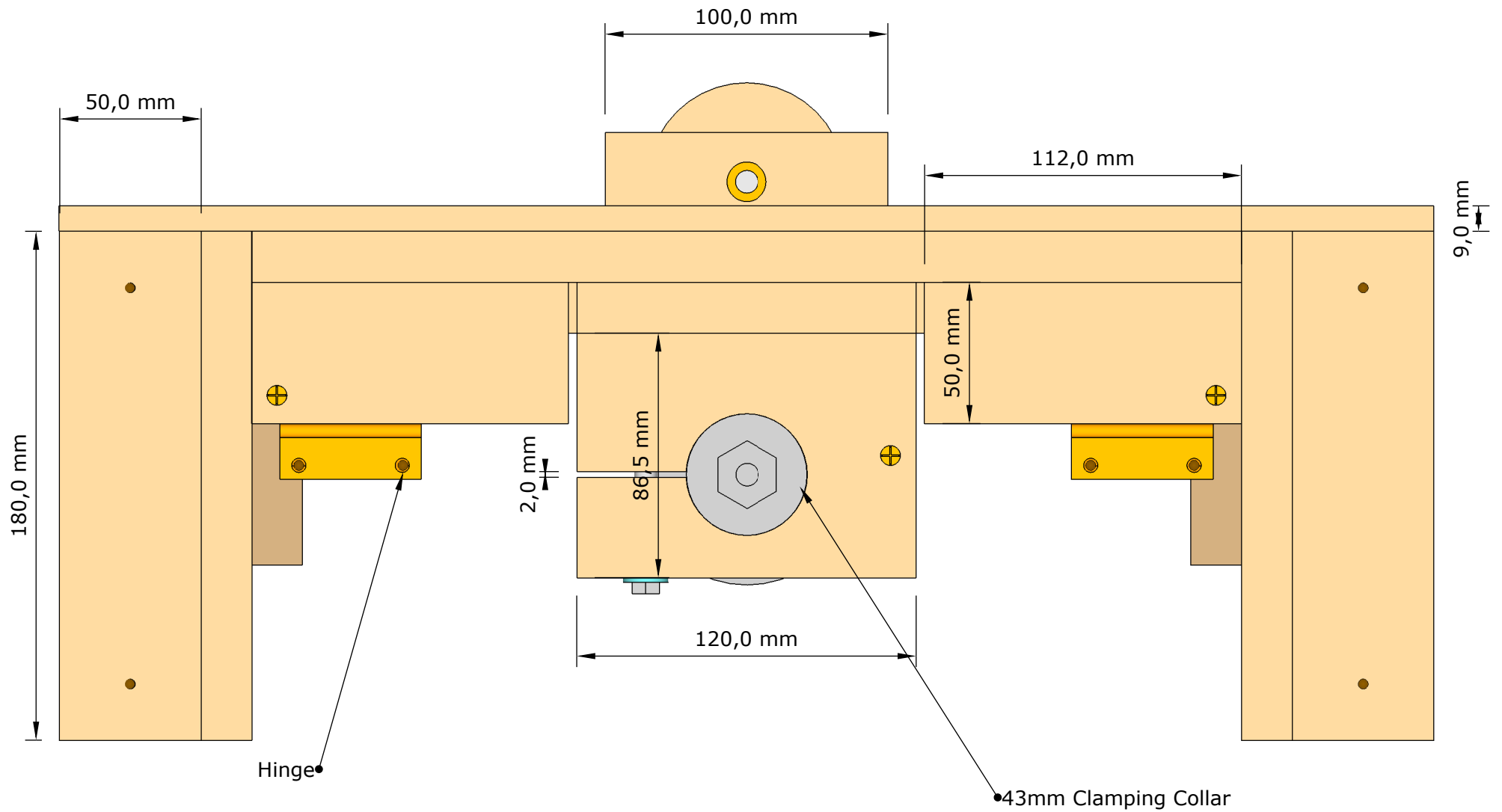
Router Holder Front 1/2 Scale



Router Holder Front Wireframe 1/2 Scale



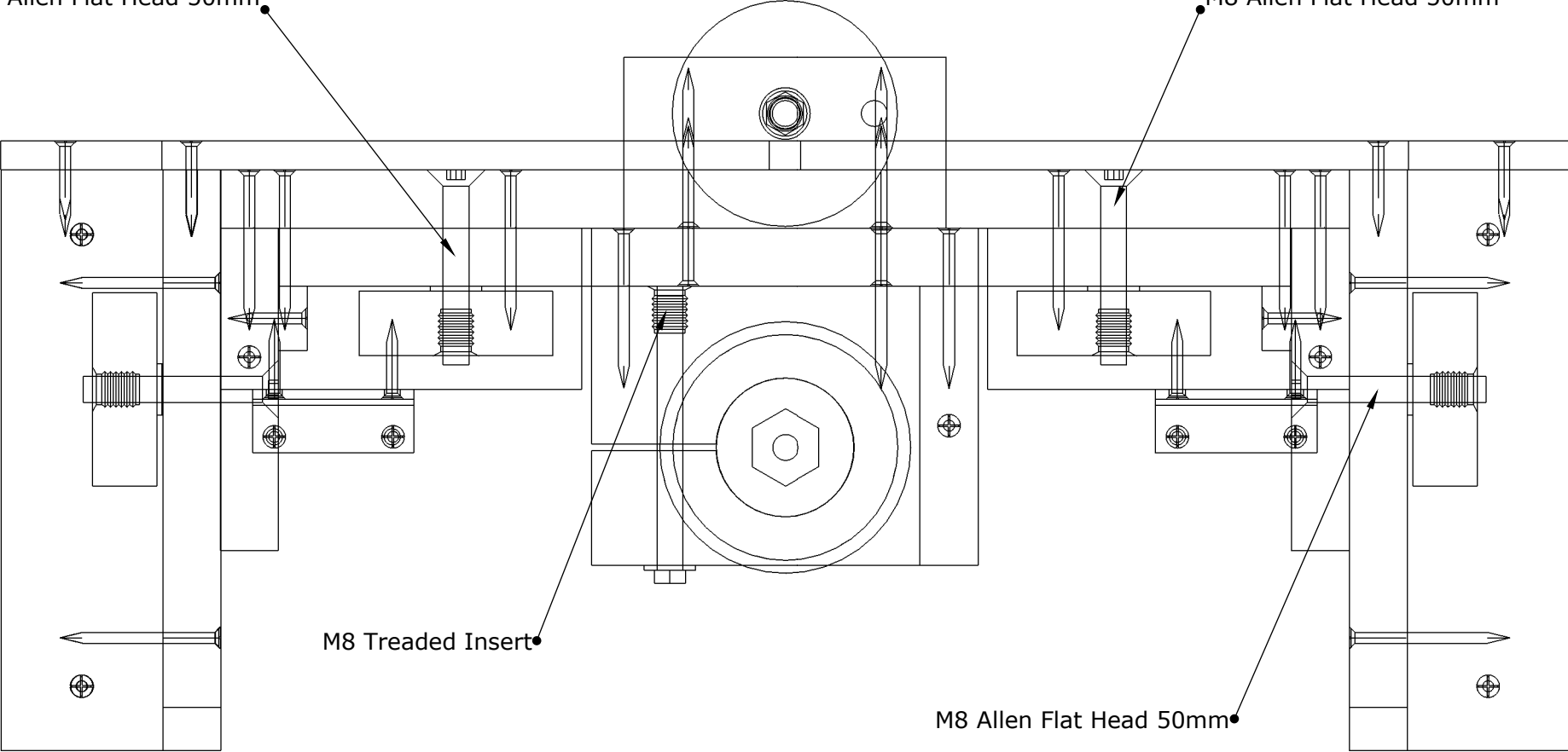
Router Holder Top 1/2 Scale



Router Holder Top Wireframe 1/2 Scale

M8 Allen Flat Head 50mm

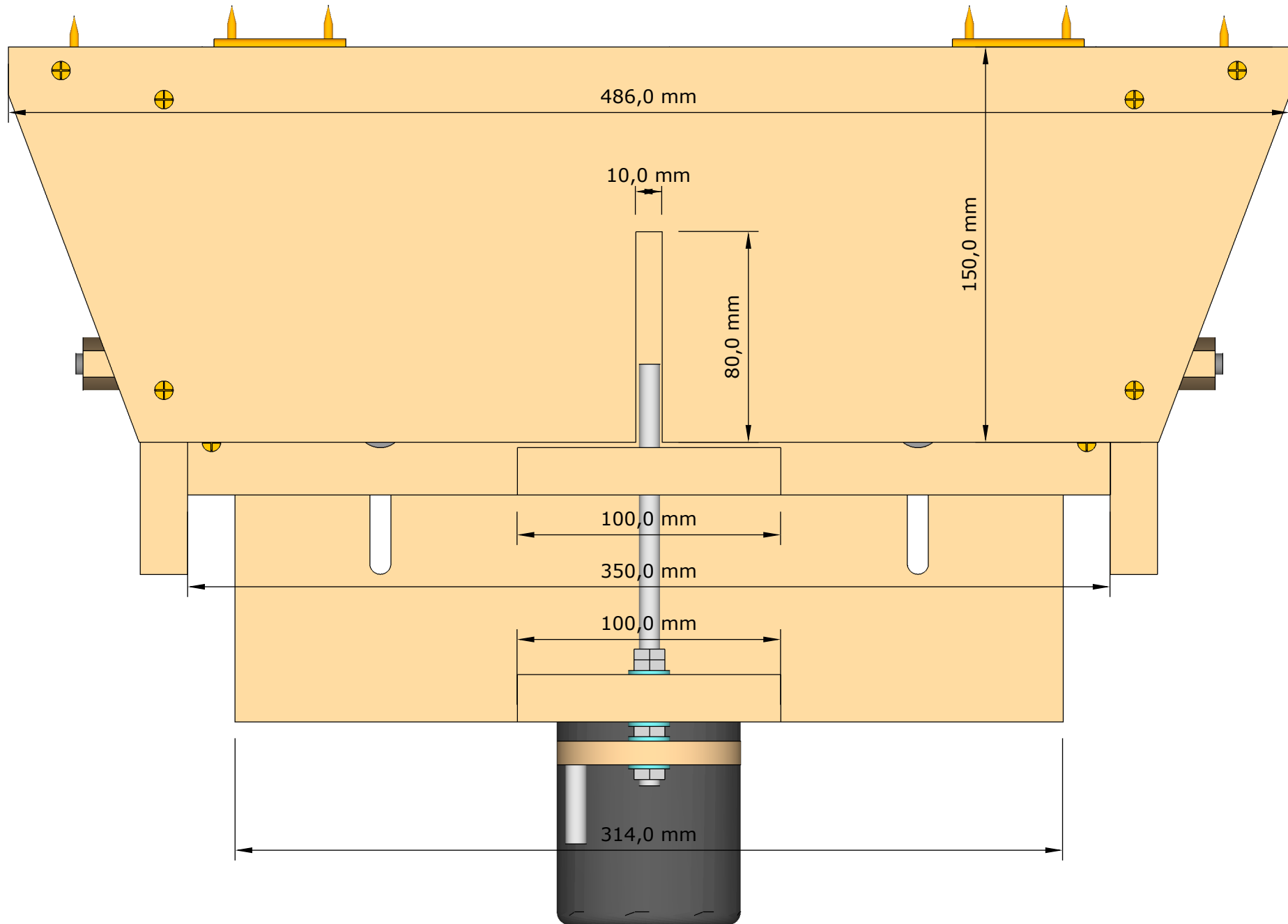
M8 Allen Flat Head 50mm



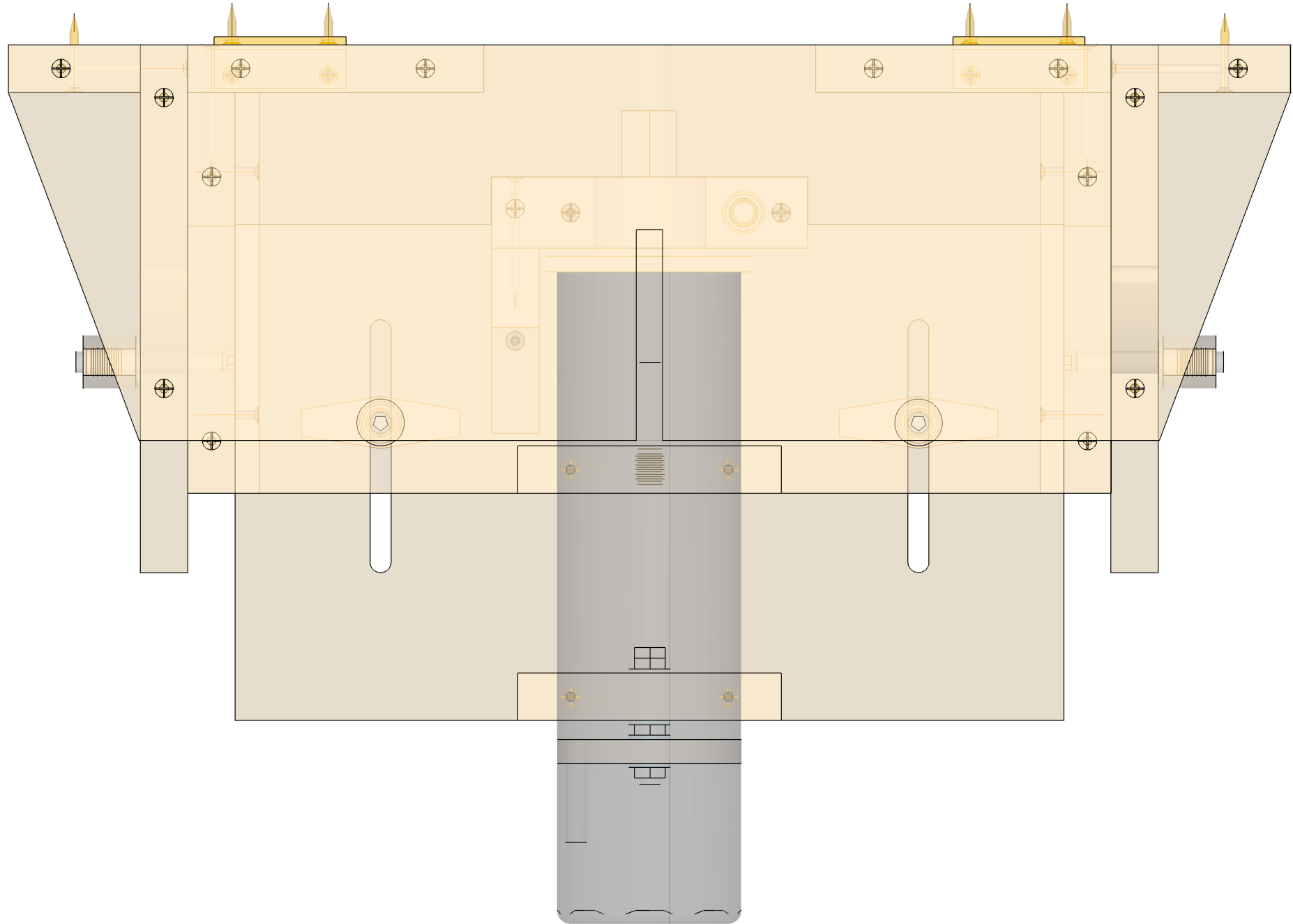
M8 Treaded Insert

M8 Allen Flat Head 50mm

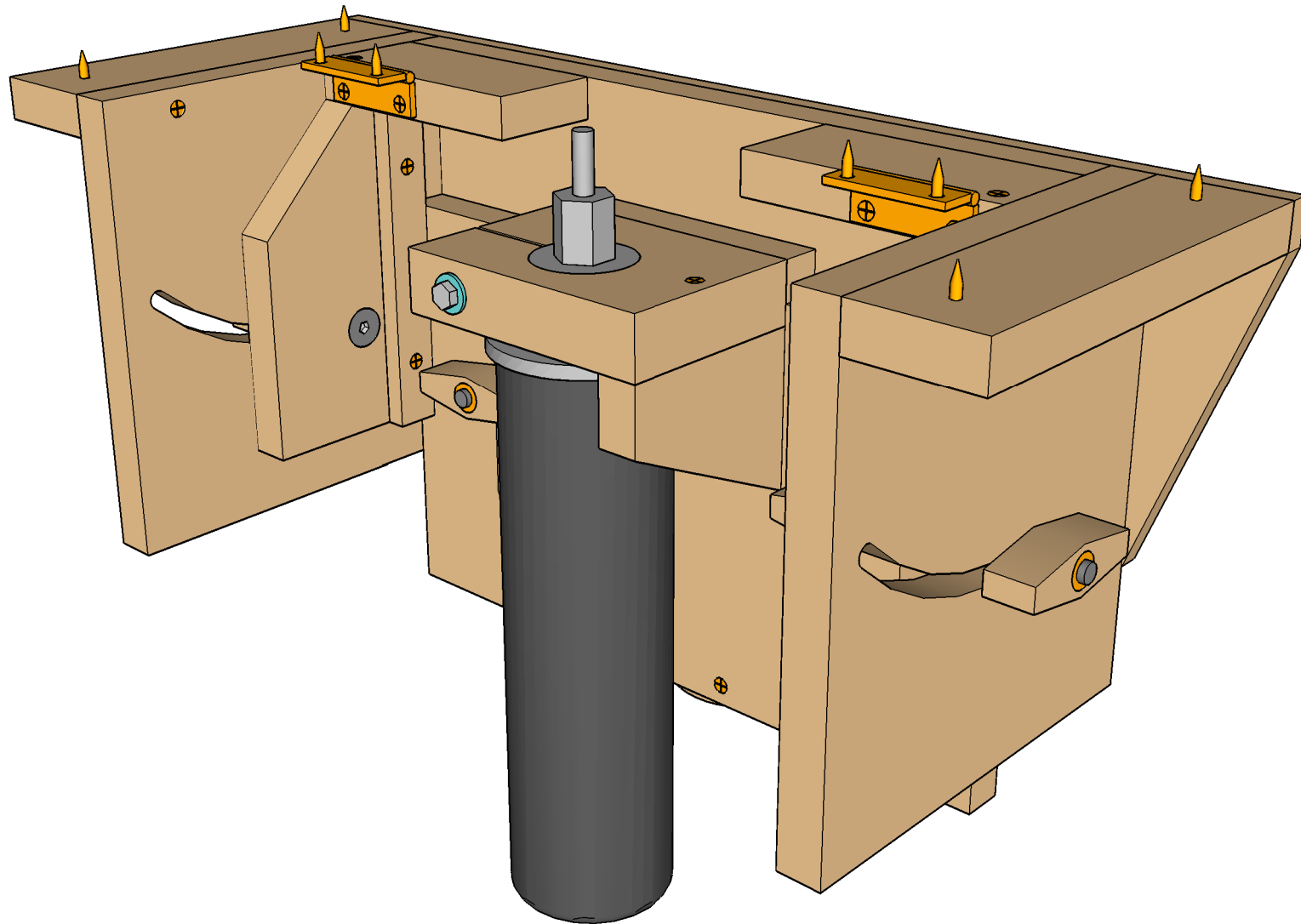
Router Holder Back 1/2 Scale



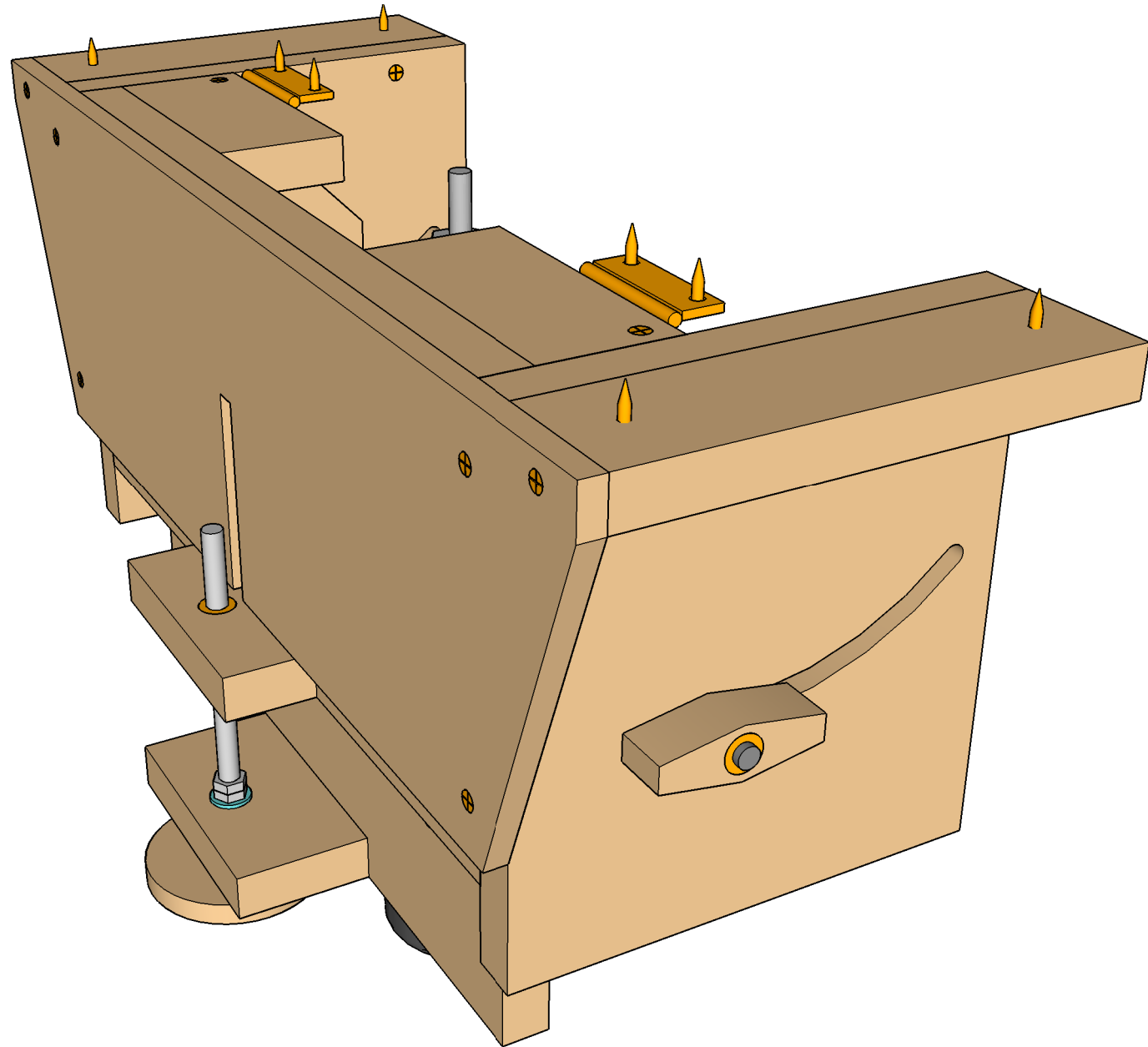
Router Holder Back X Ray 1/2 Scale



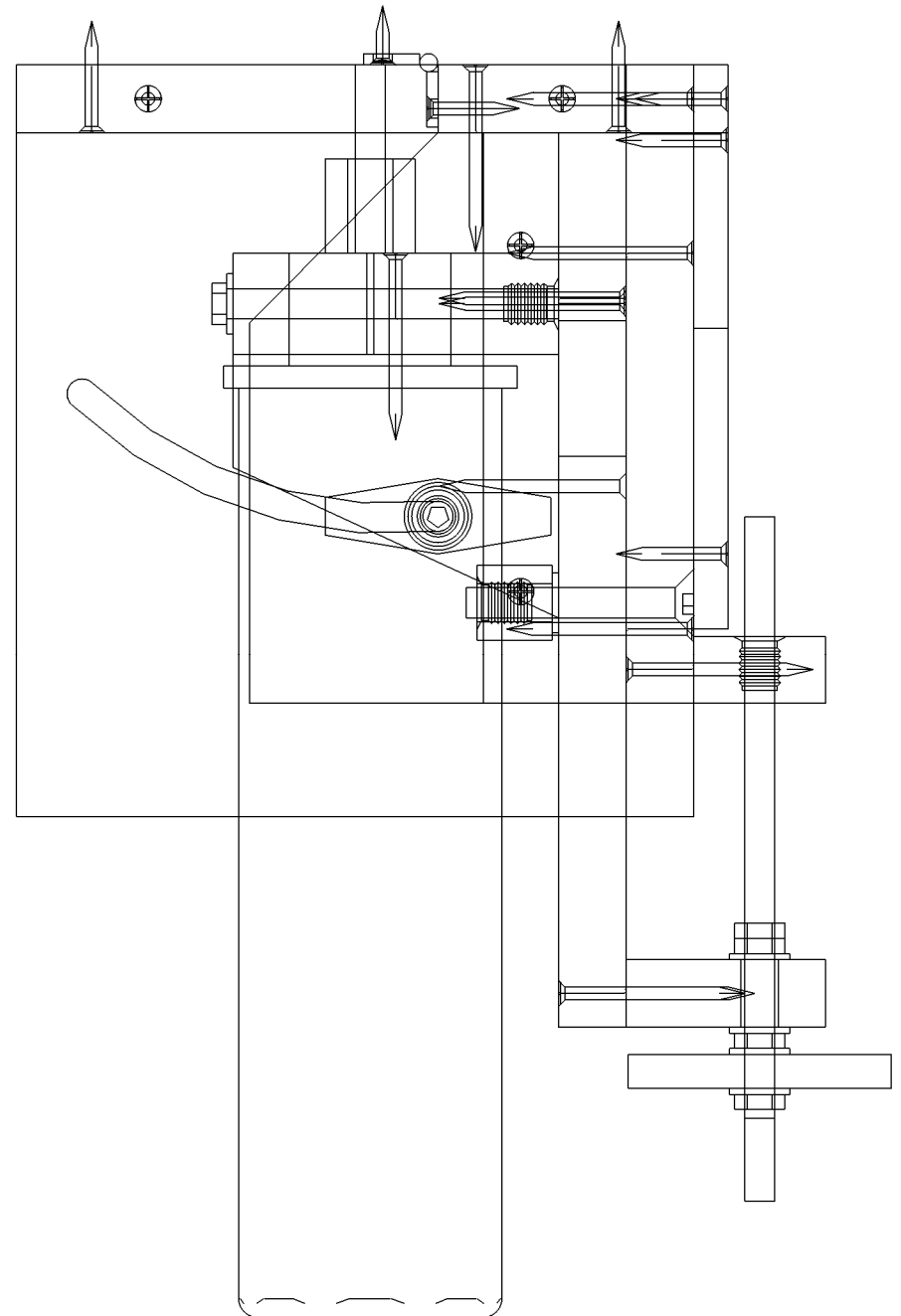
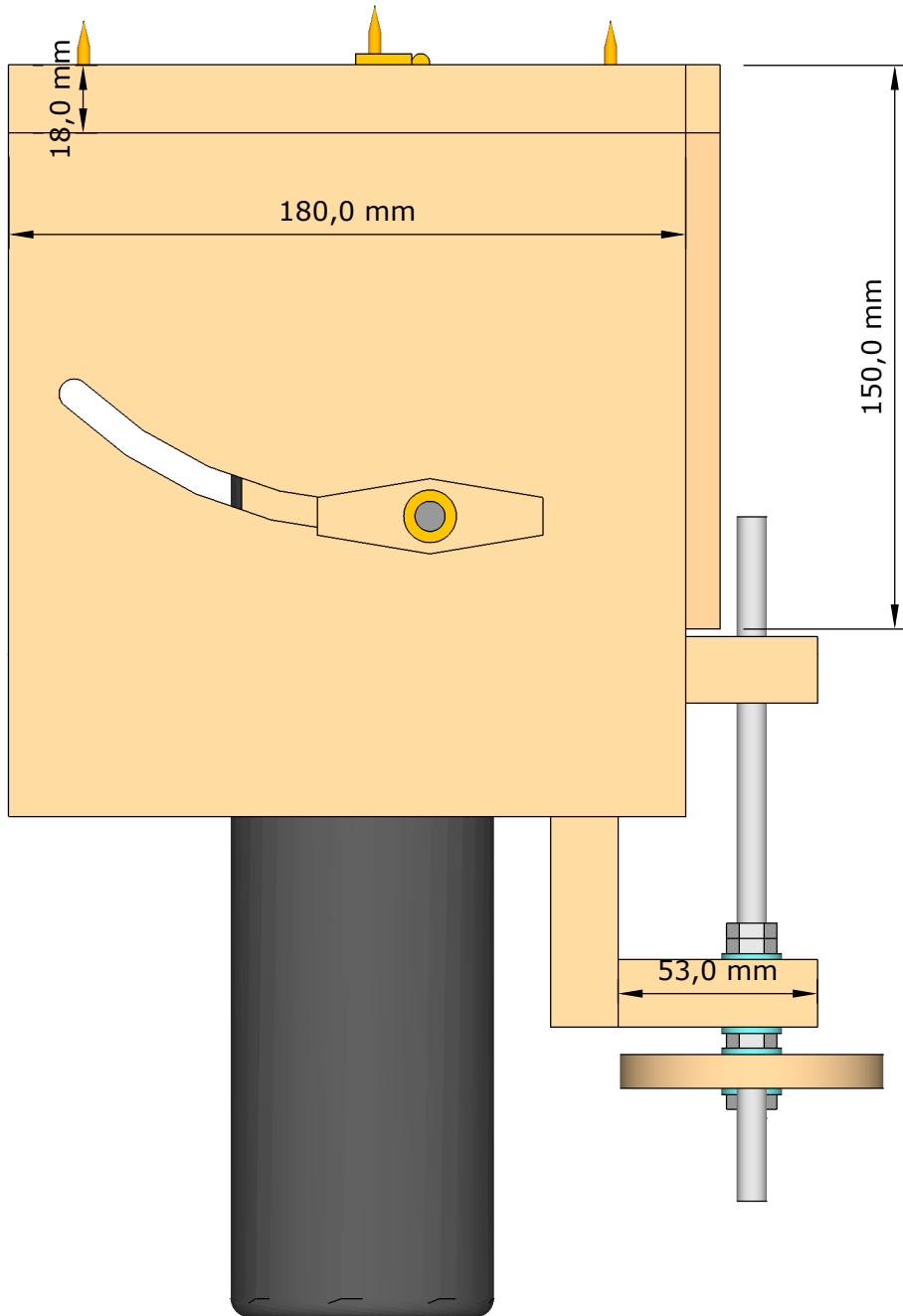
Router Holder Complet Iso



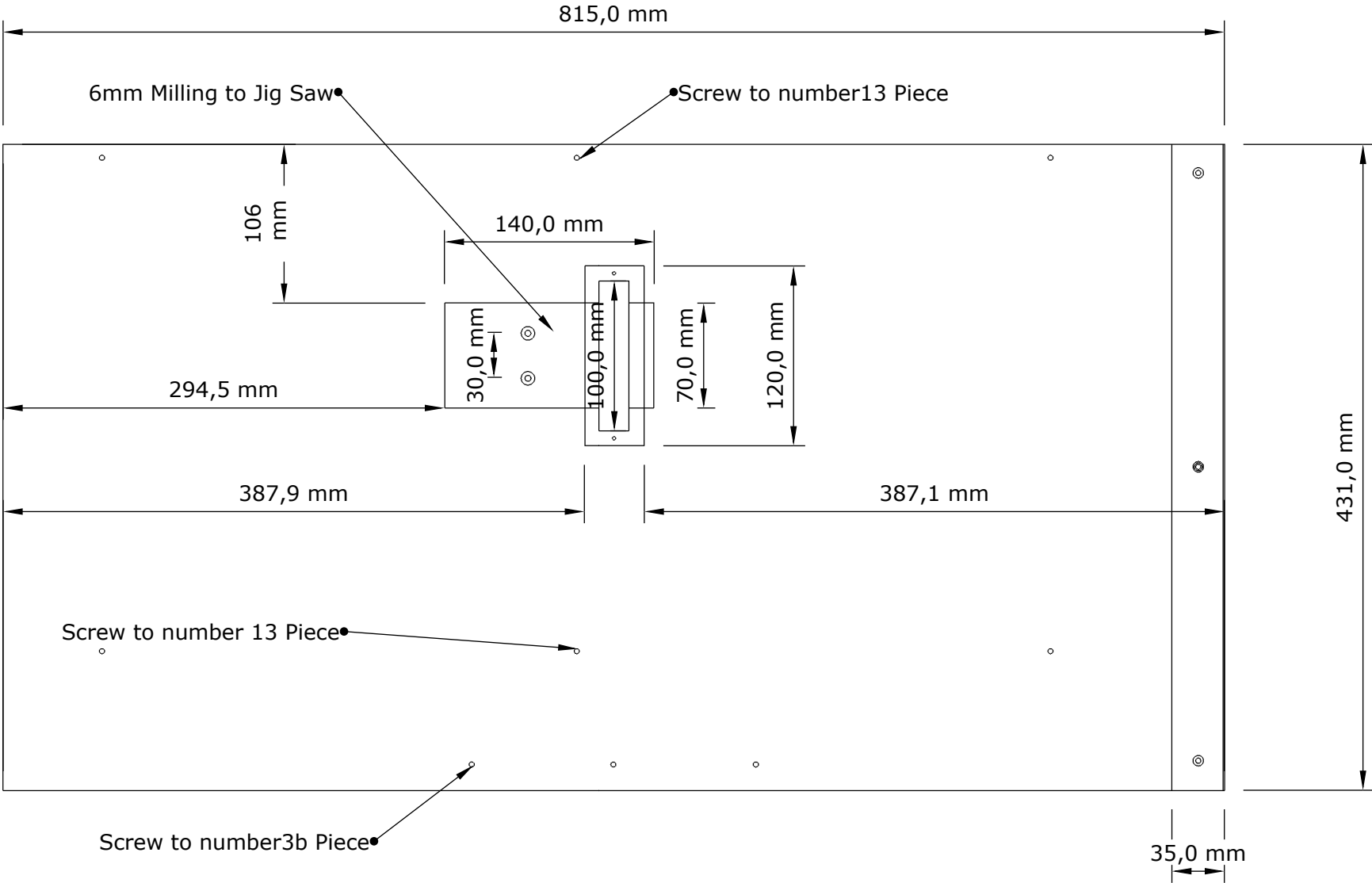
Router Holder Complet Iso2



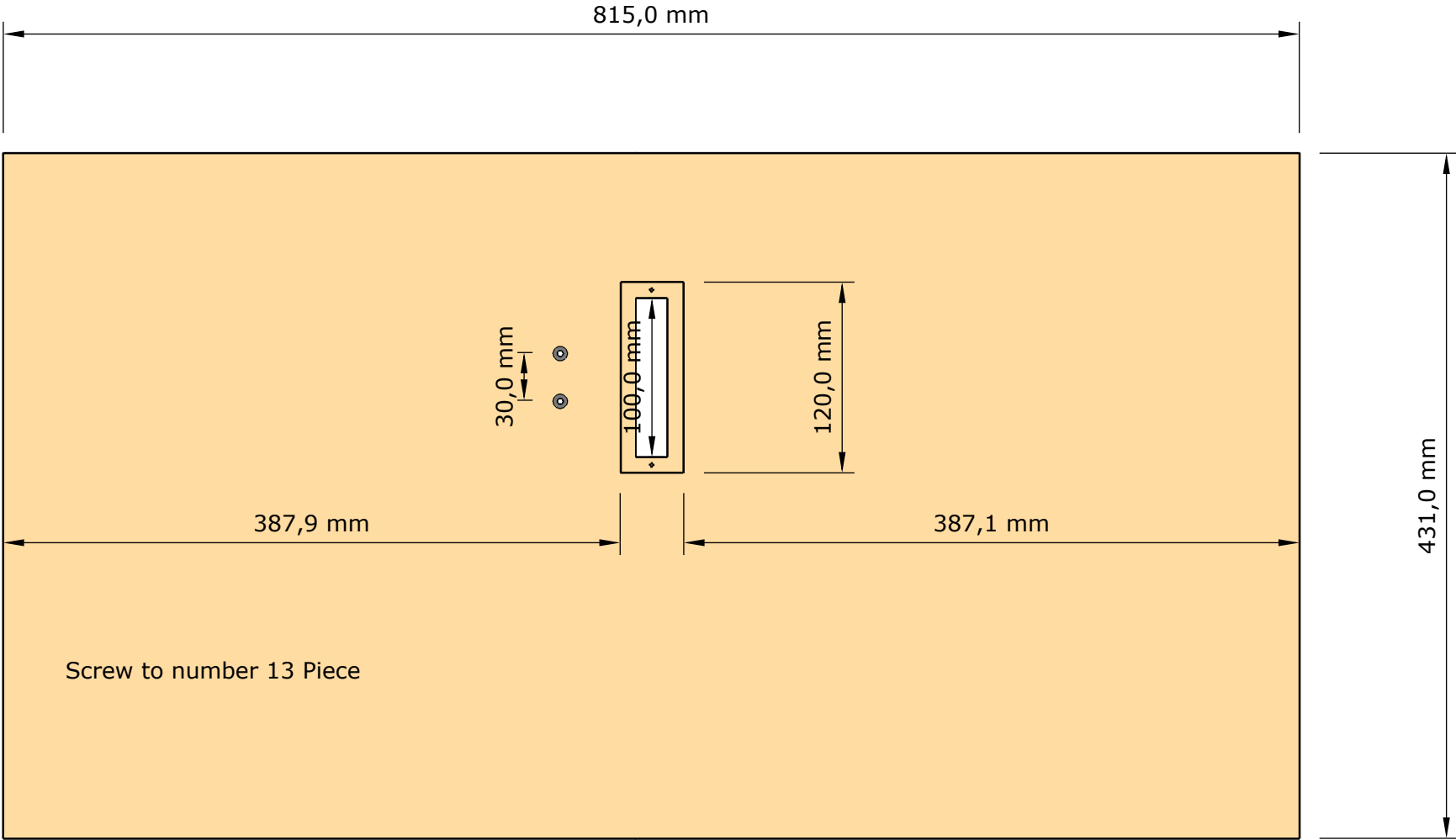
Router Holder Right 1/2 Scale



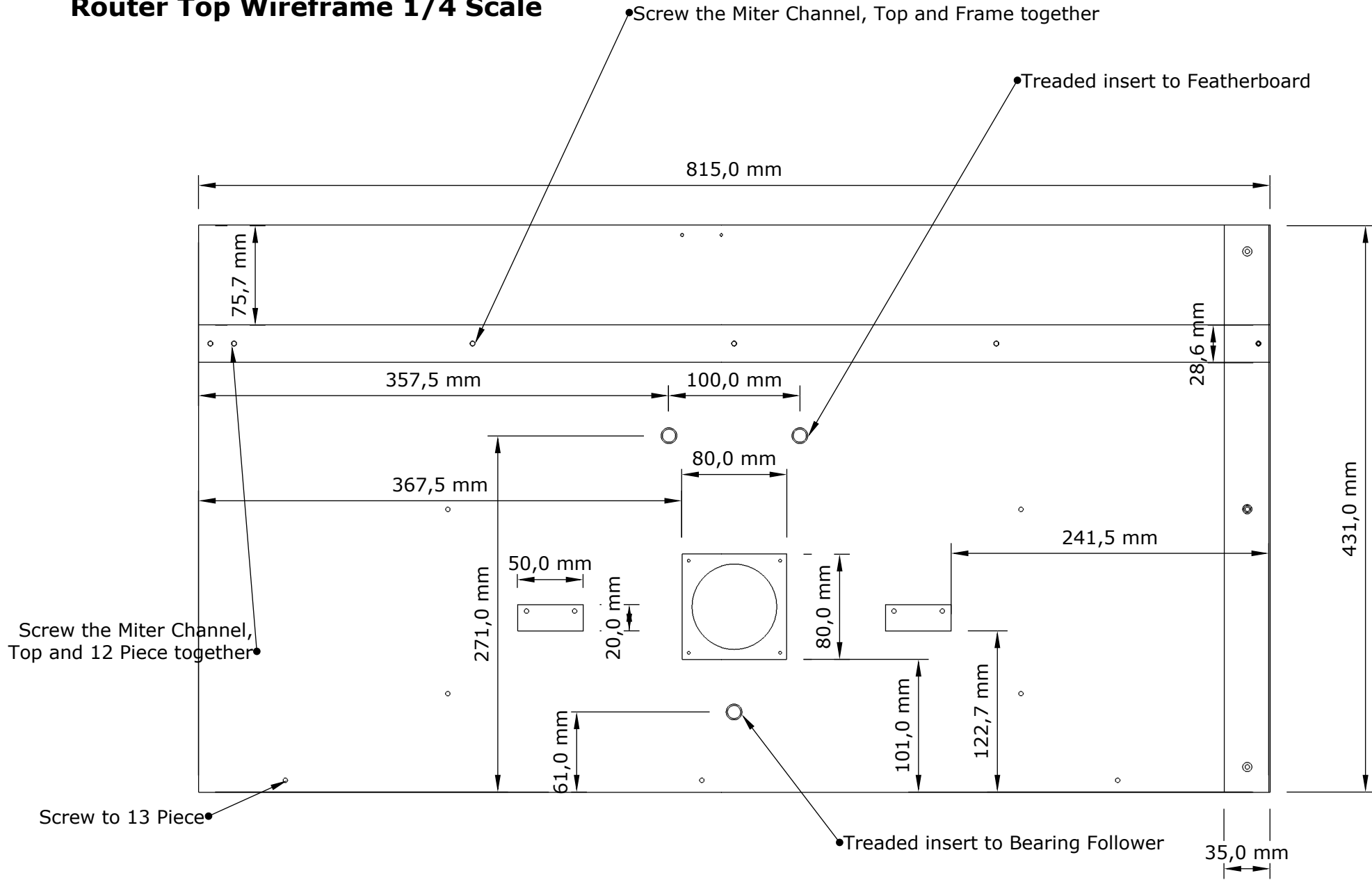
Jig Saw Top Wireframe 1/4 Scale



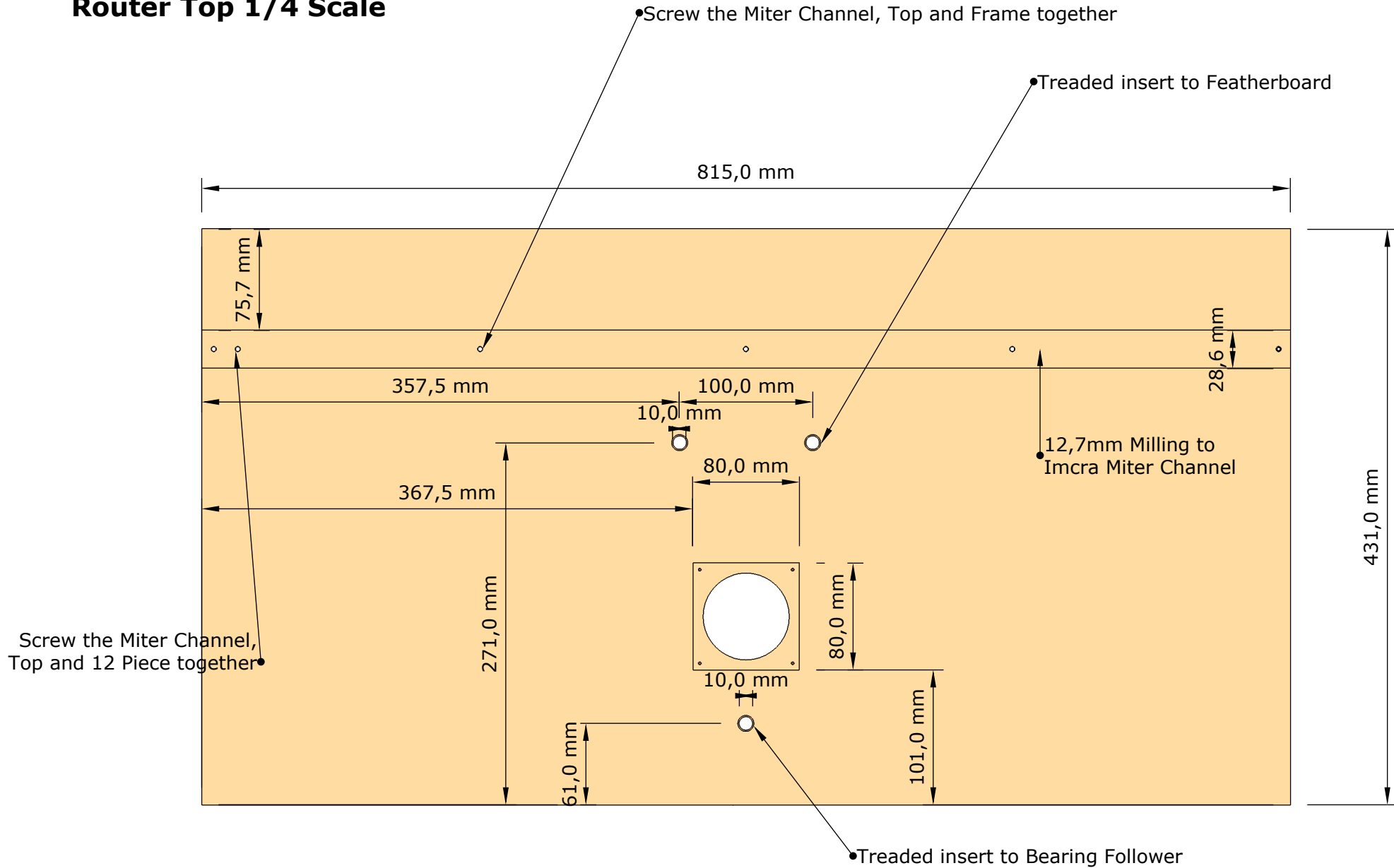
Jig Saw Top 1/4 Scale



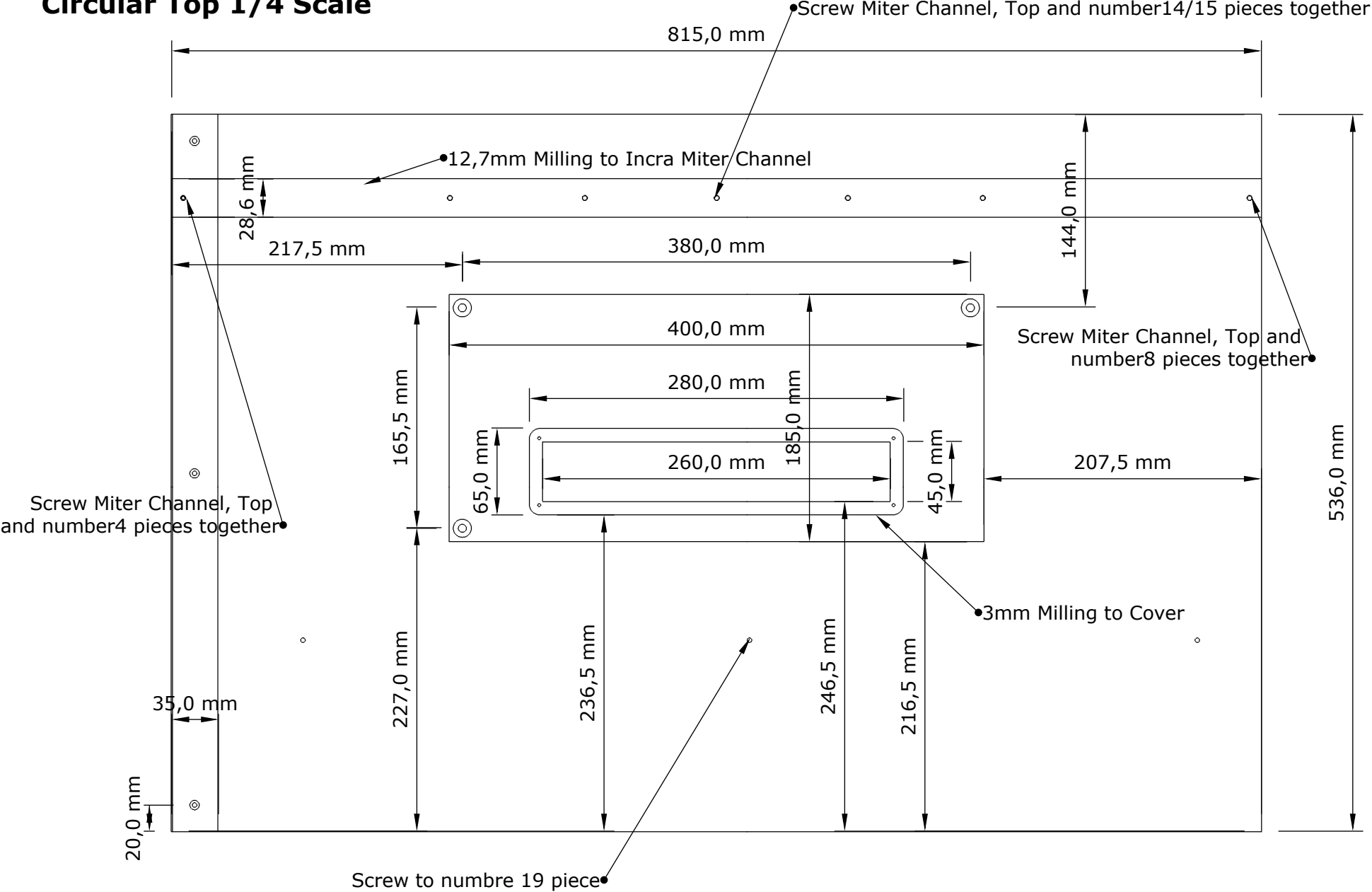
Router Top Wireframe 1/4 Scale



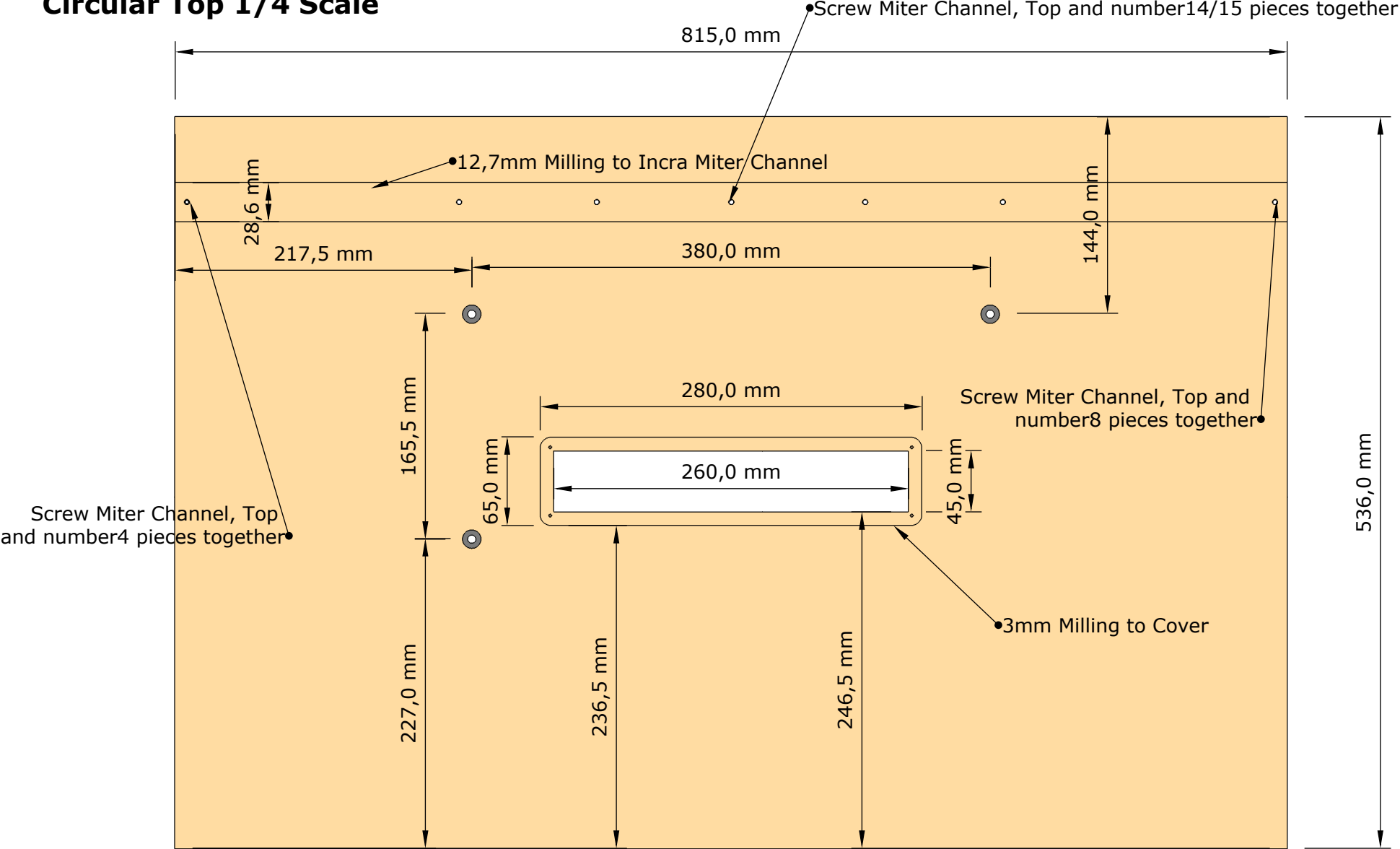
Router Top 1/4 Scale



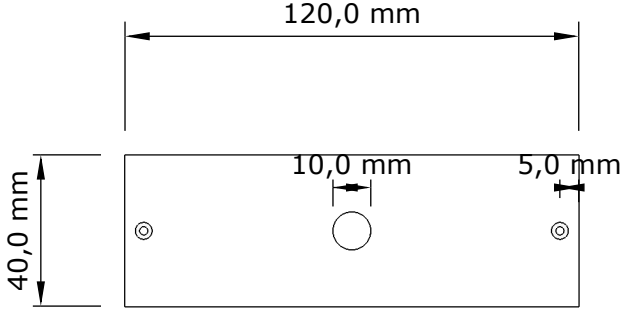
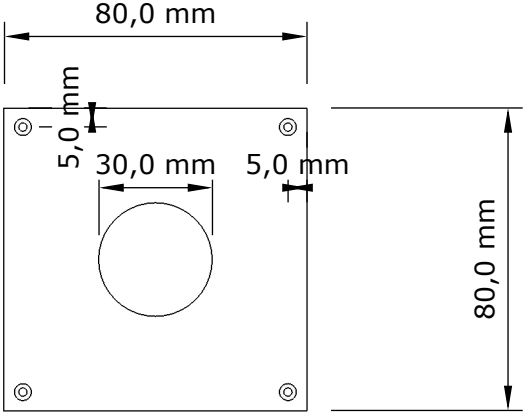
Circular Top 1/4 Scale



Circular Top 1/4 Scale



Covers 1/2 Scale



Made in opal metacrilate or
3mm thickness MDF

