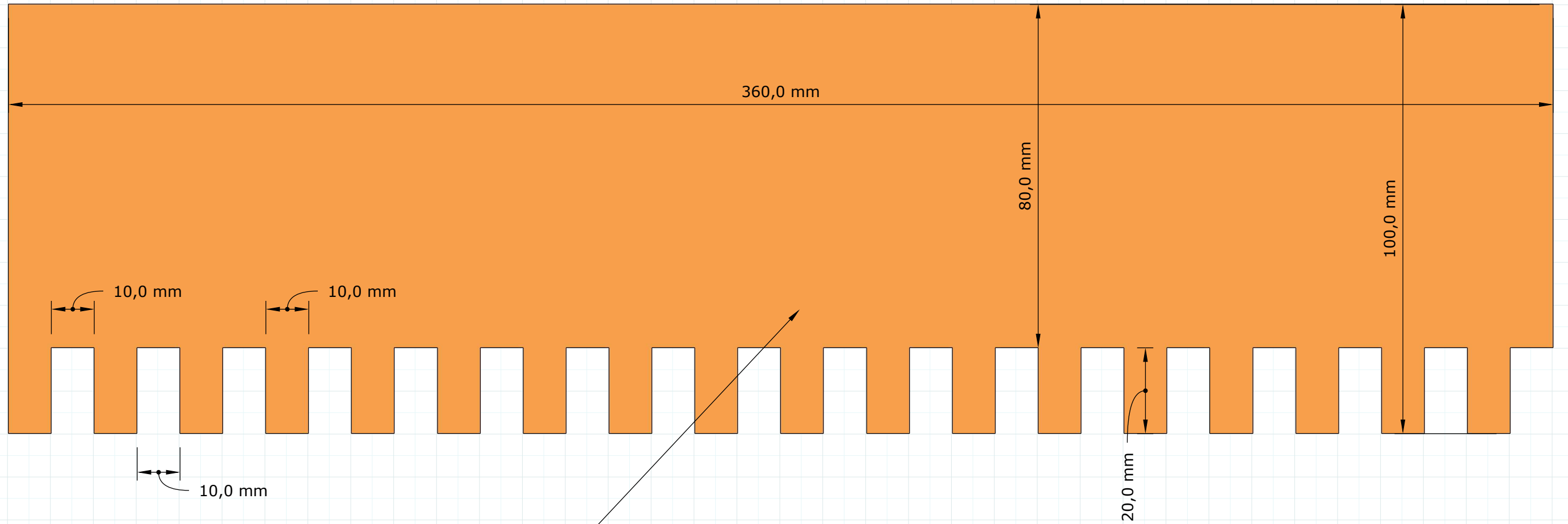
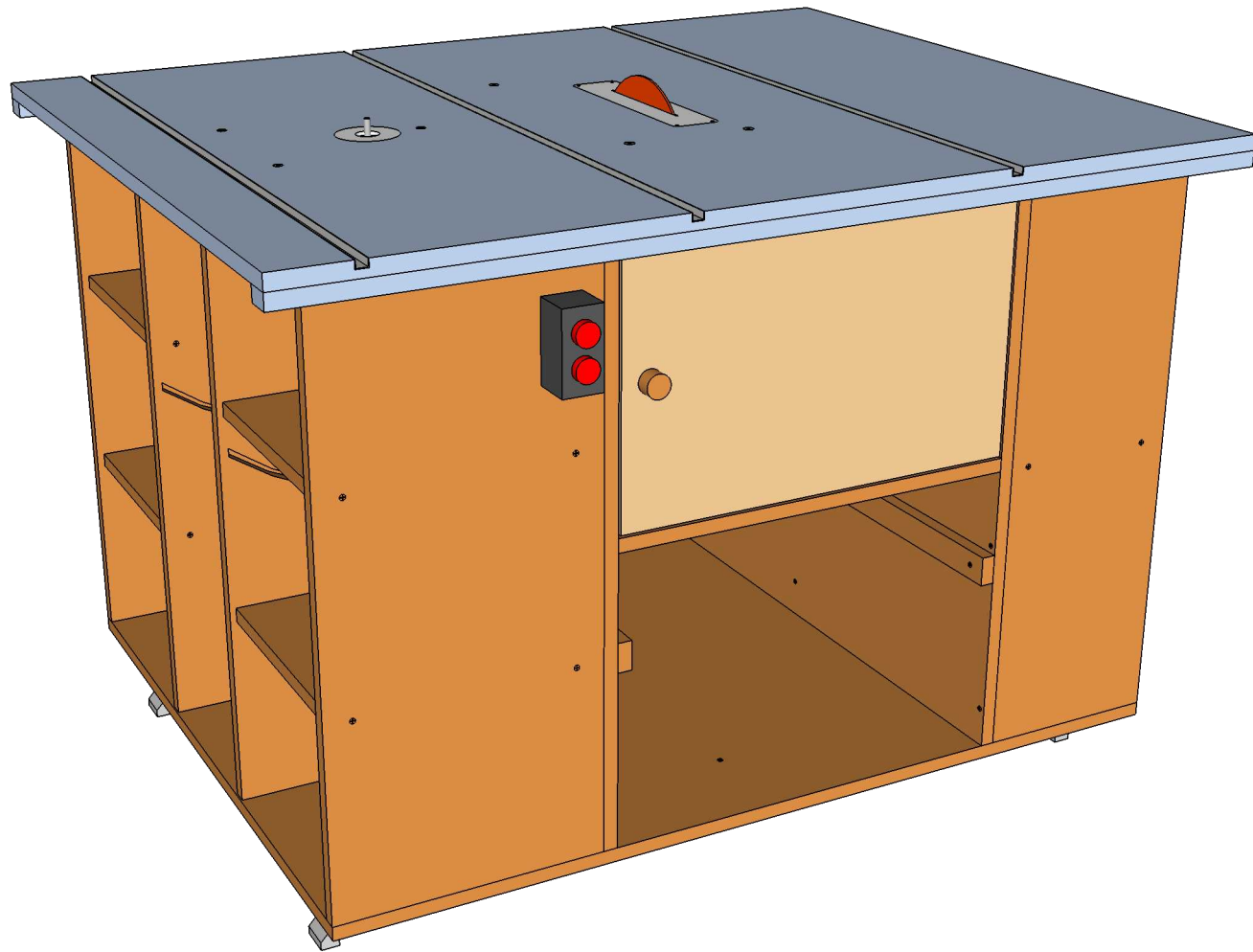


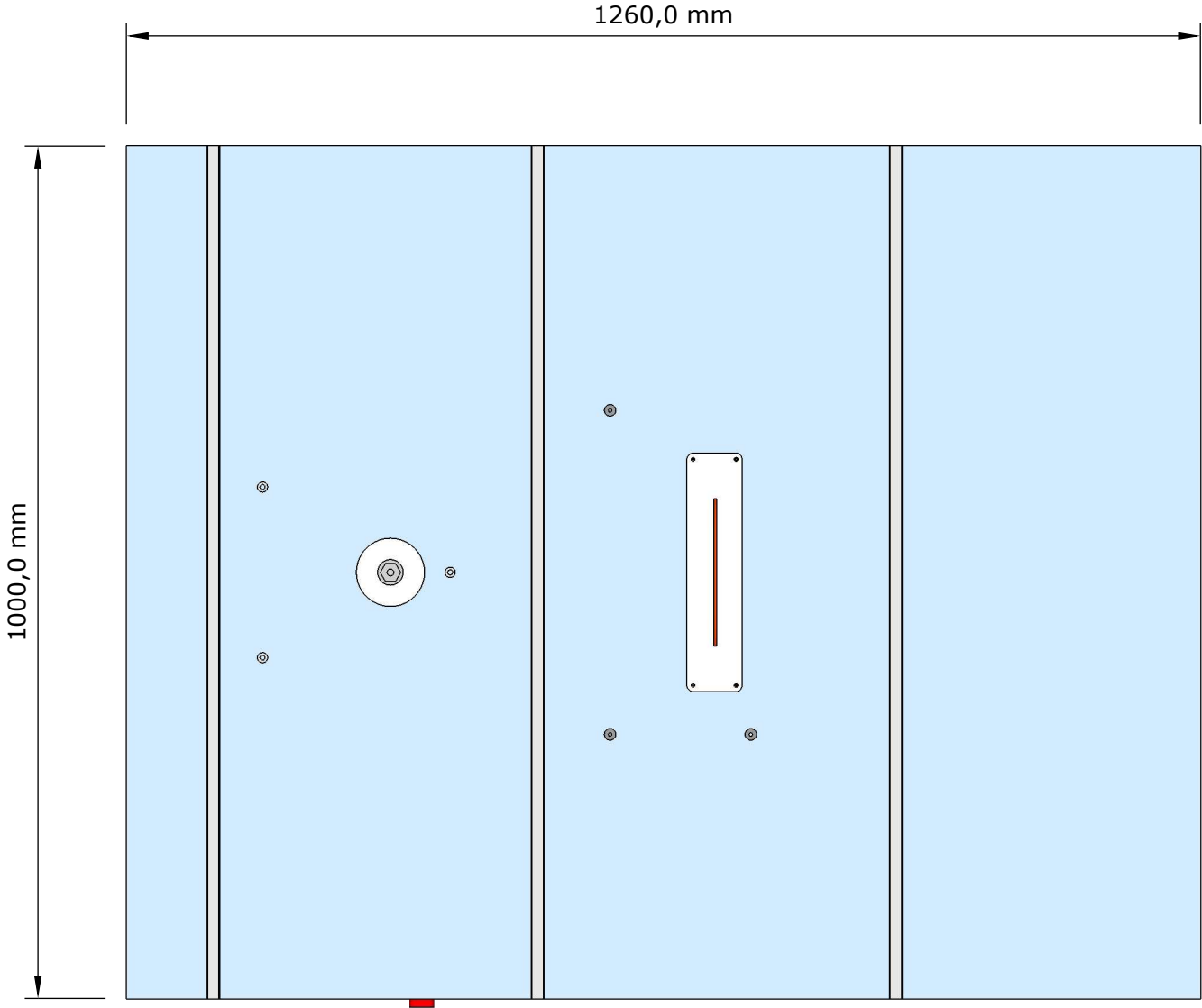
# Box Joint Jig Printable Template



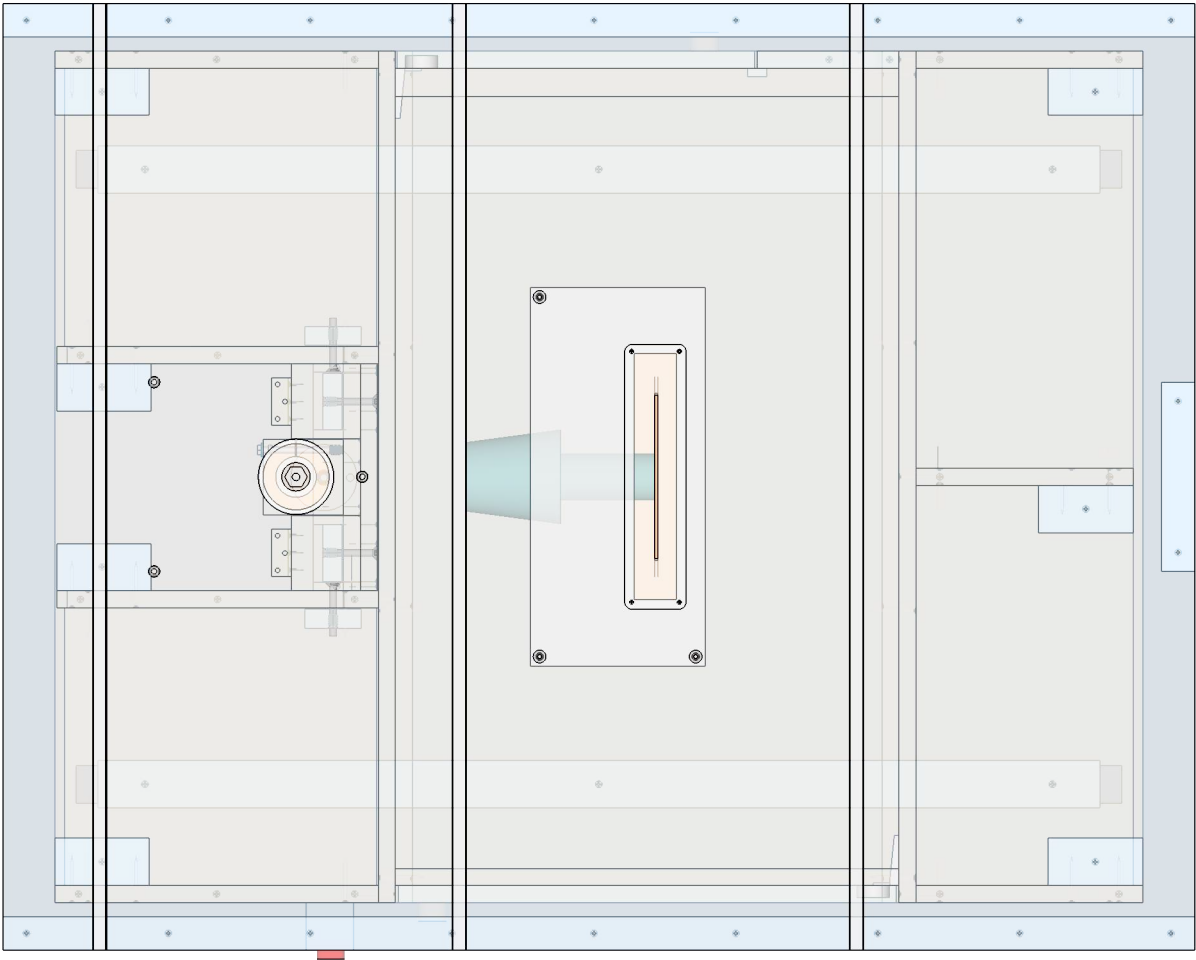
**MDF 20mm,  
You better make it in a CNC machine**



**Top 1/8 Scale**

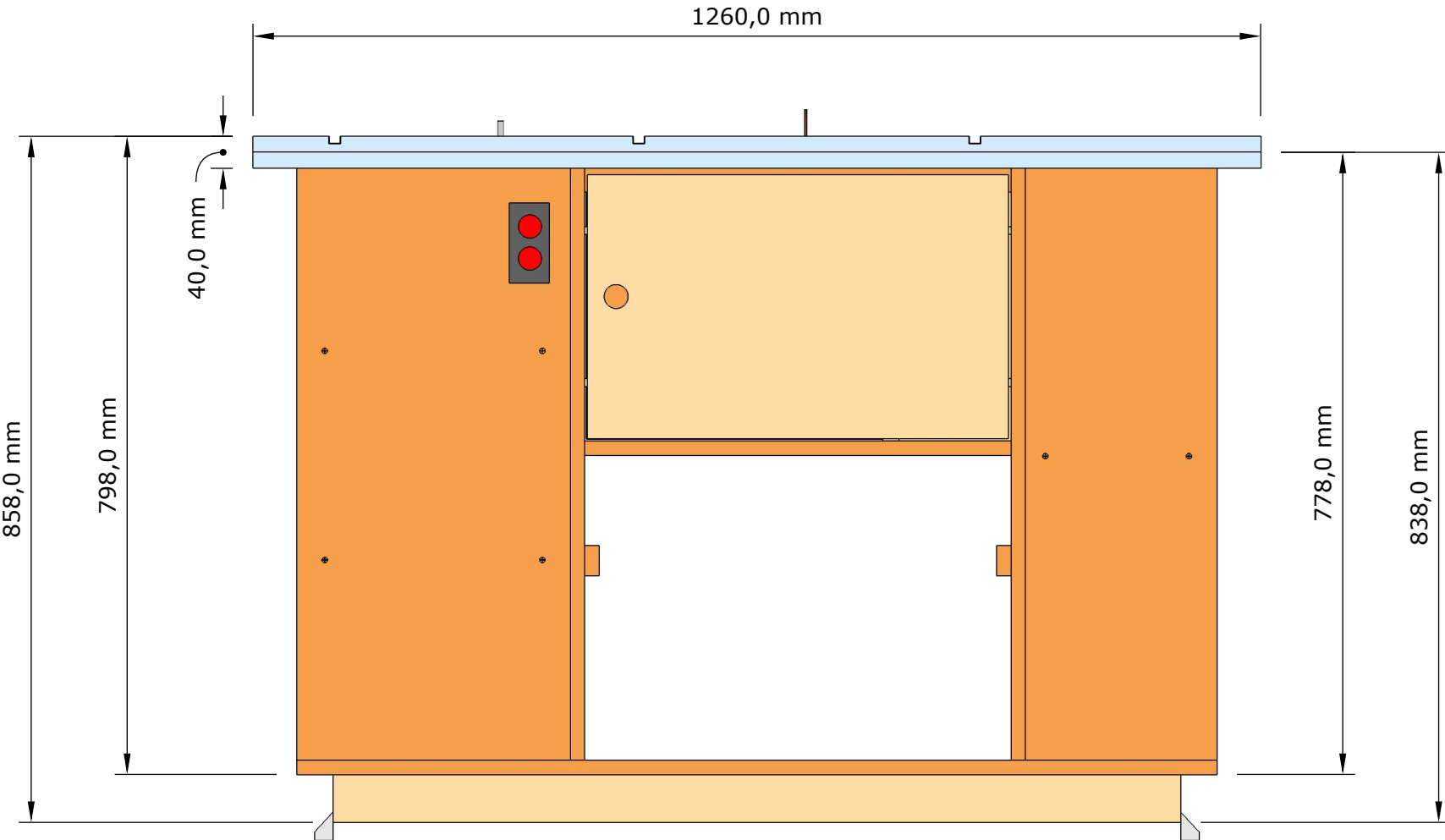


**Top 1/8 Scale X Ray**

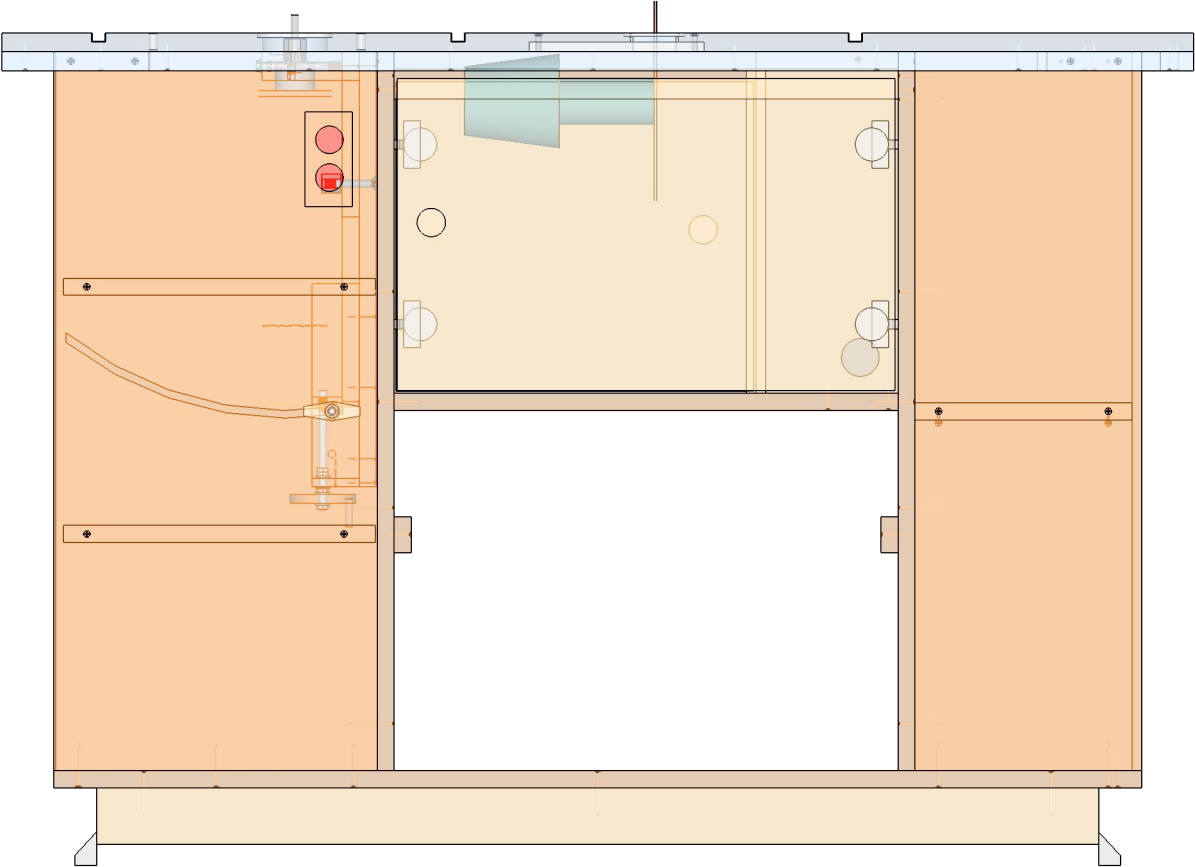




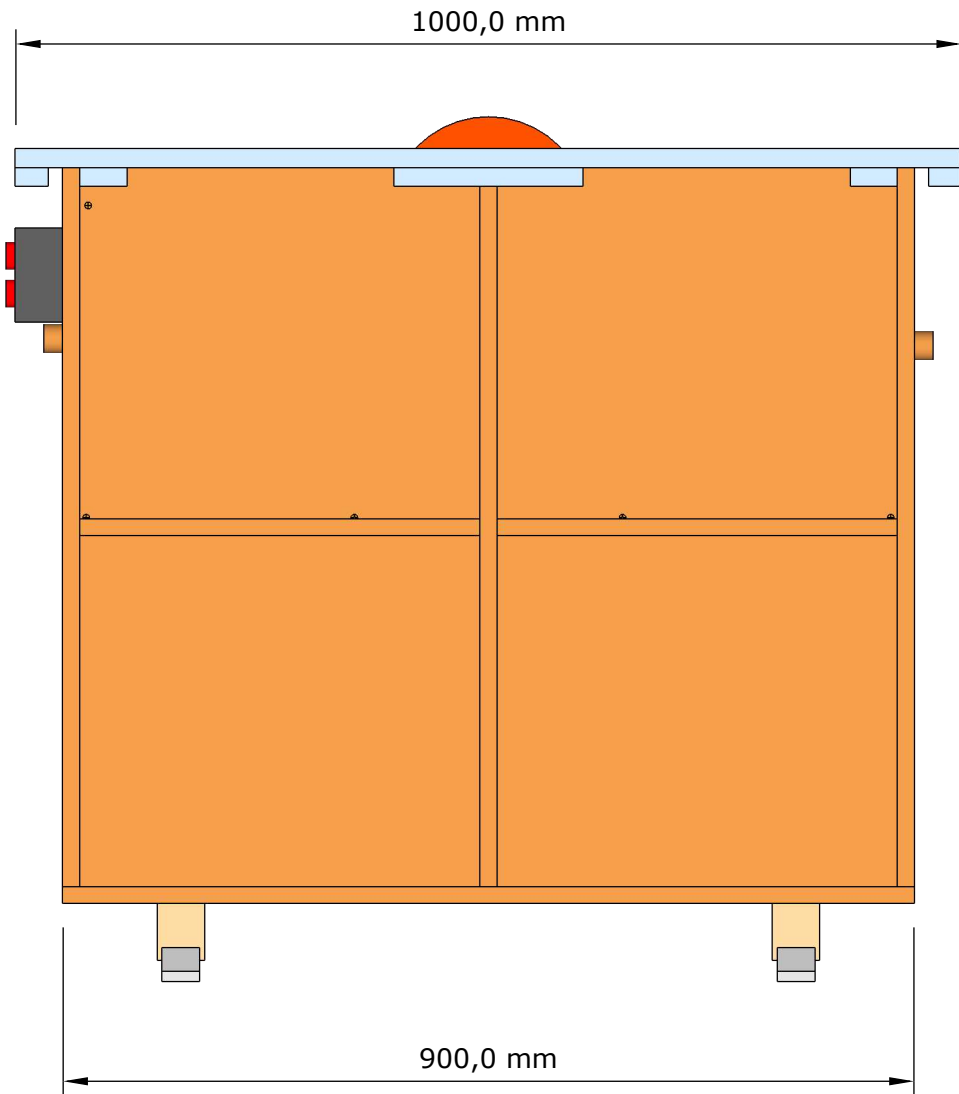
Front 1/8 Scale



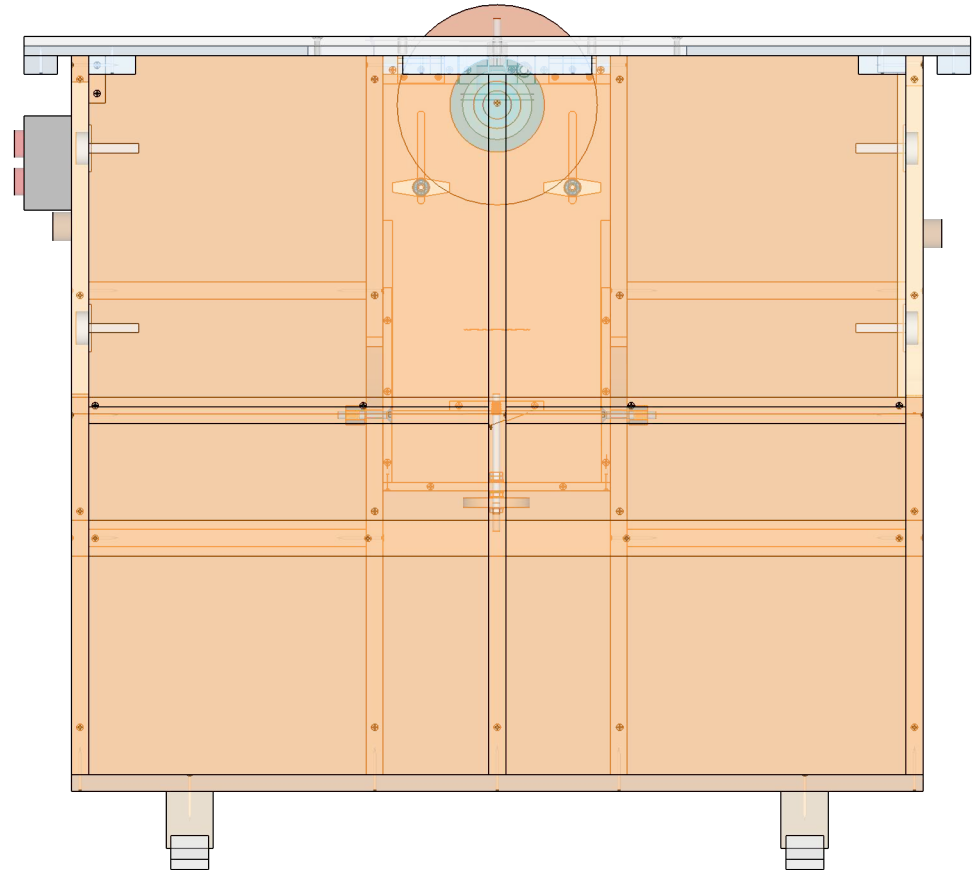
**Front 1/8 Scale X Ray**



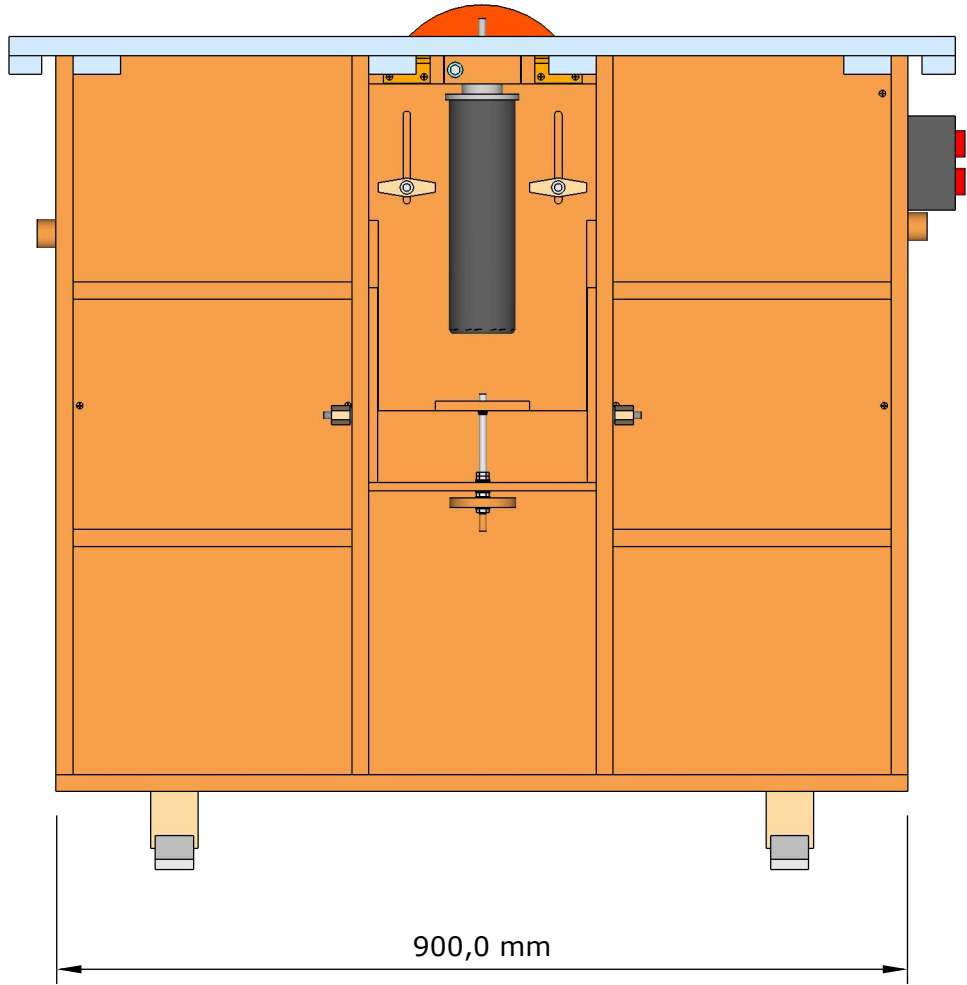
**Right 1/8 Scale**



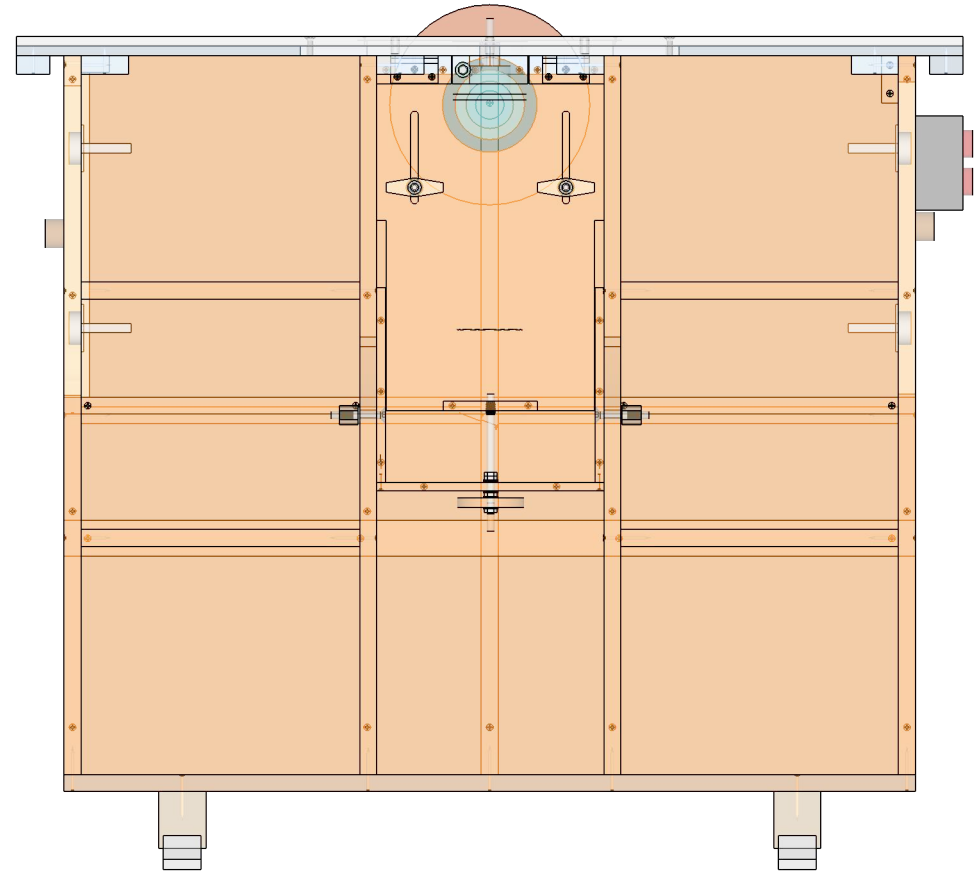
**Right 1/8 Scale X Ray**



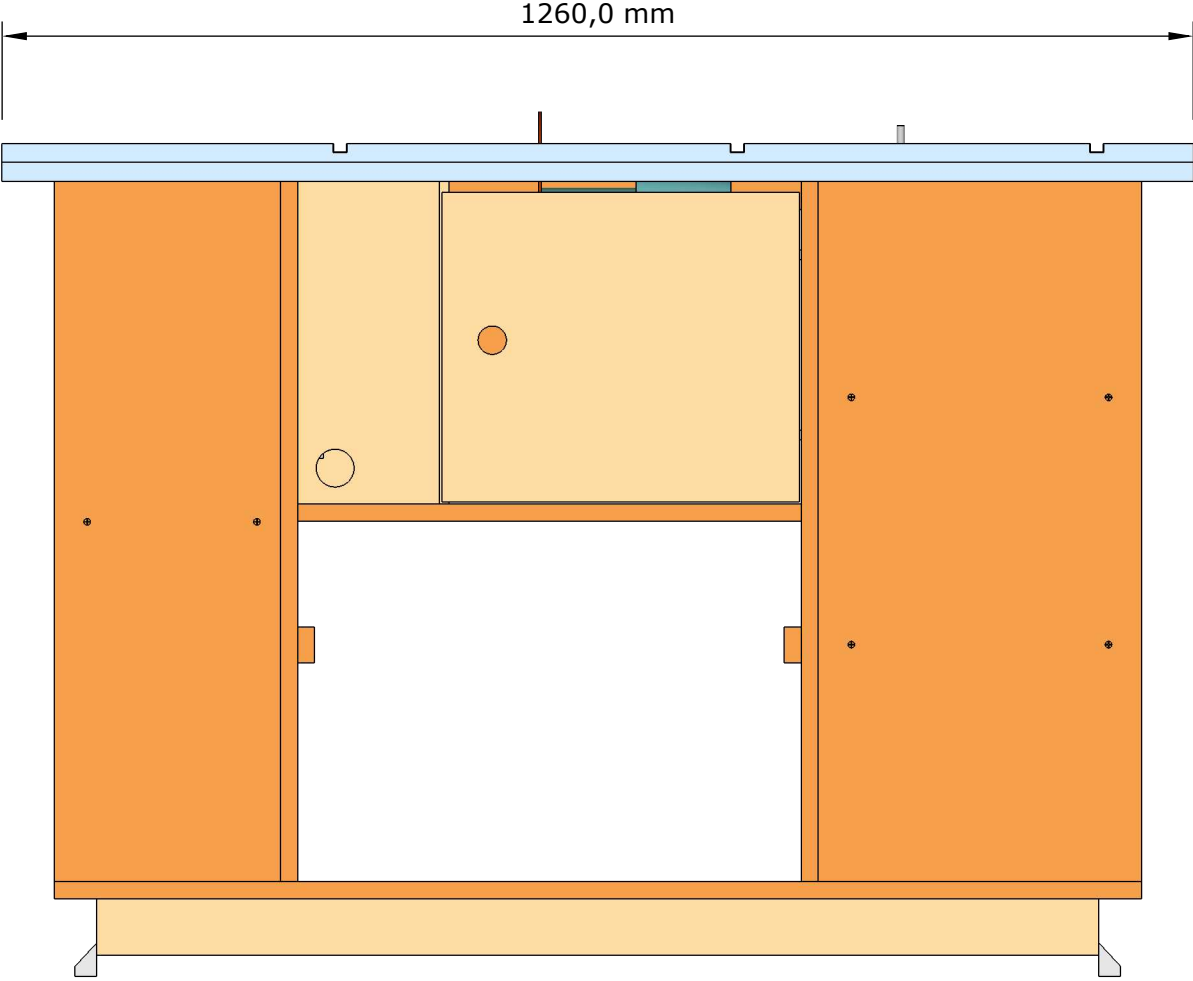
**Left 1/8 Scale**



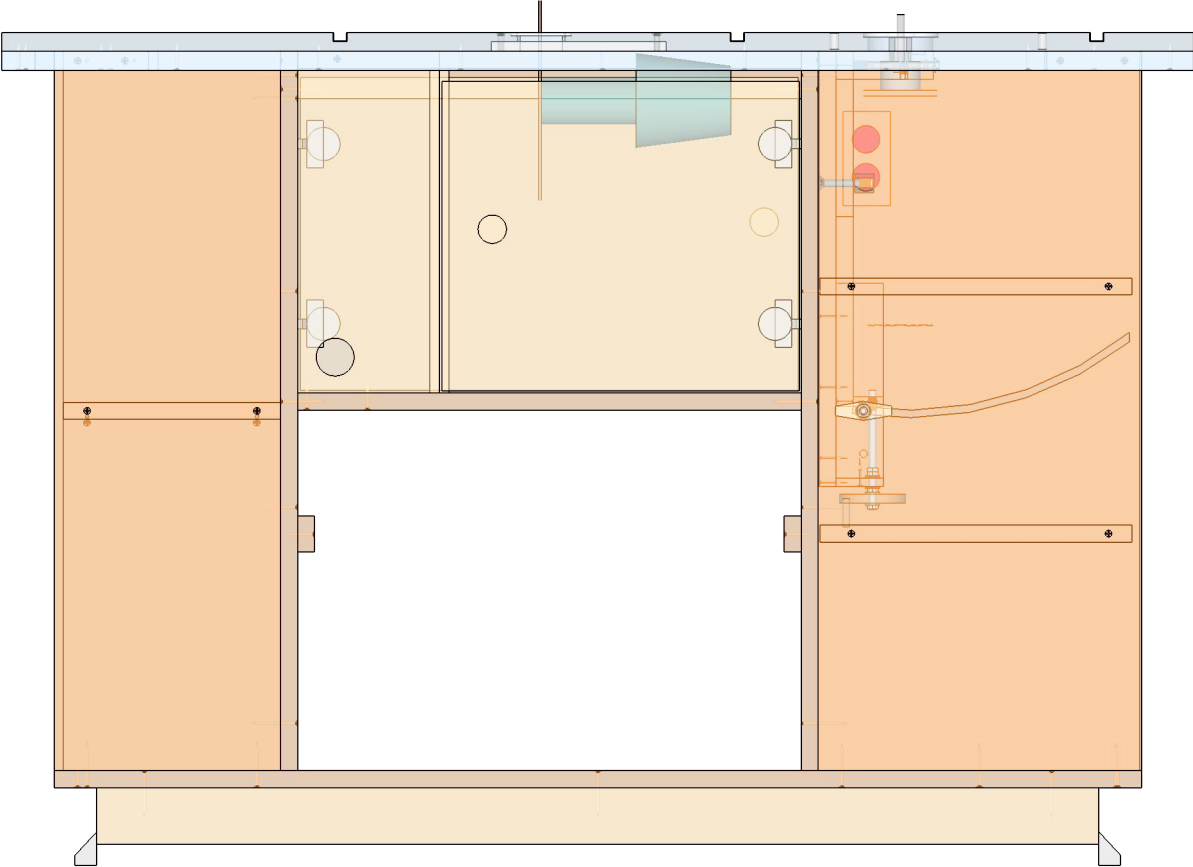
**Left 1/8 Scale X Ray**



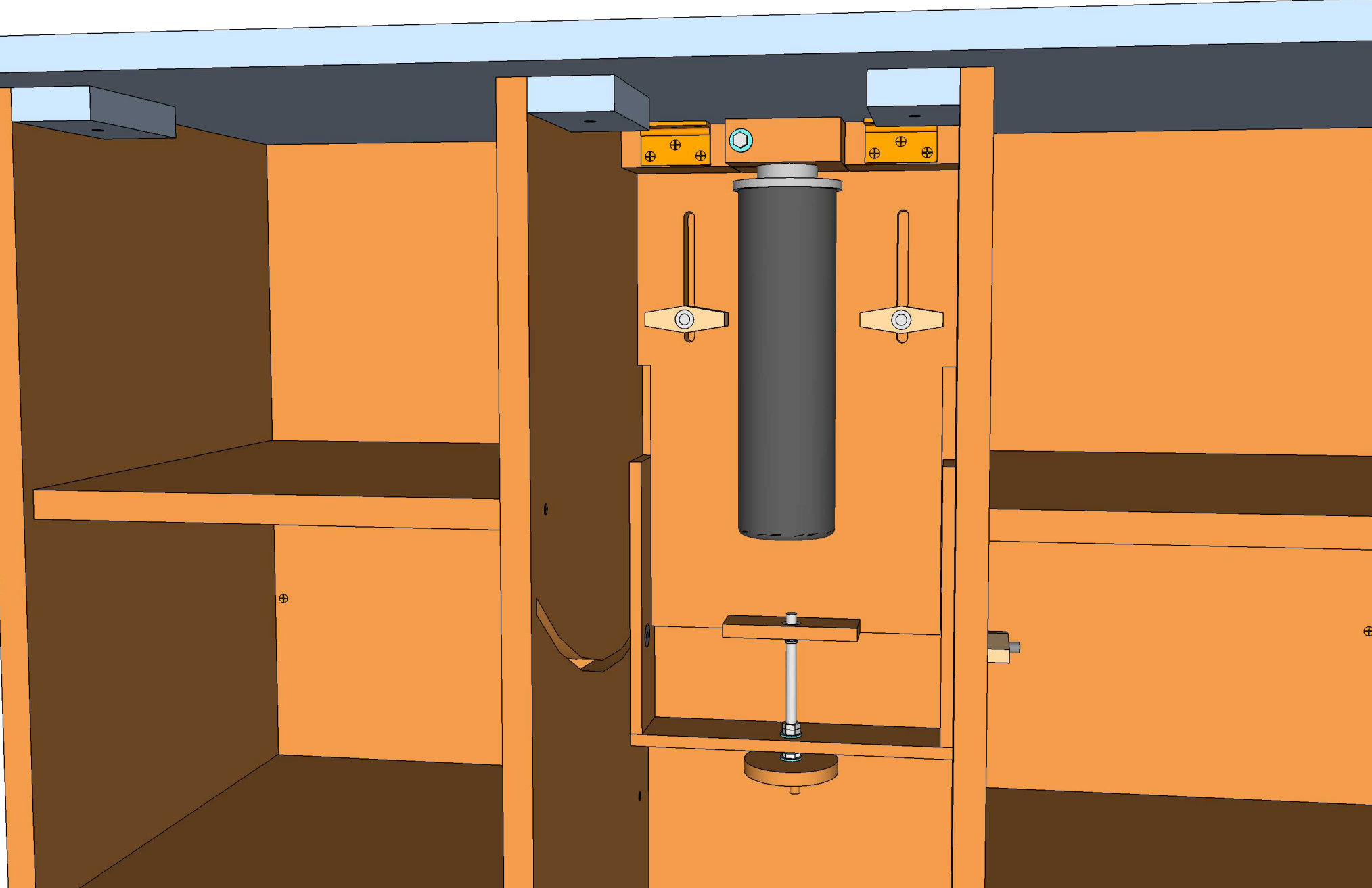
**Back 1/8 Scale**



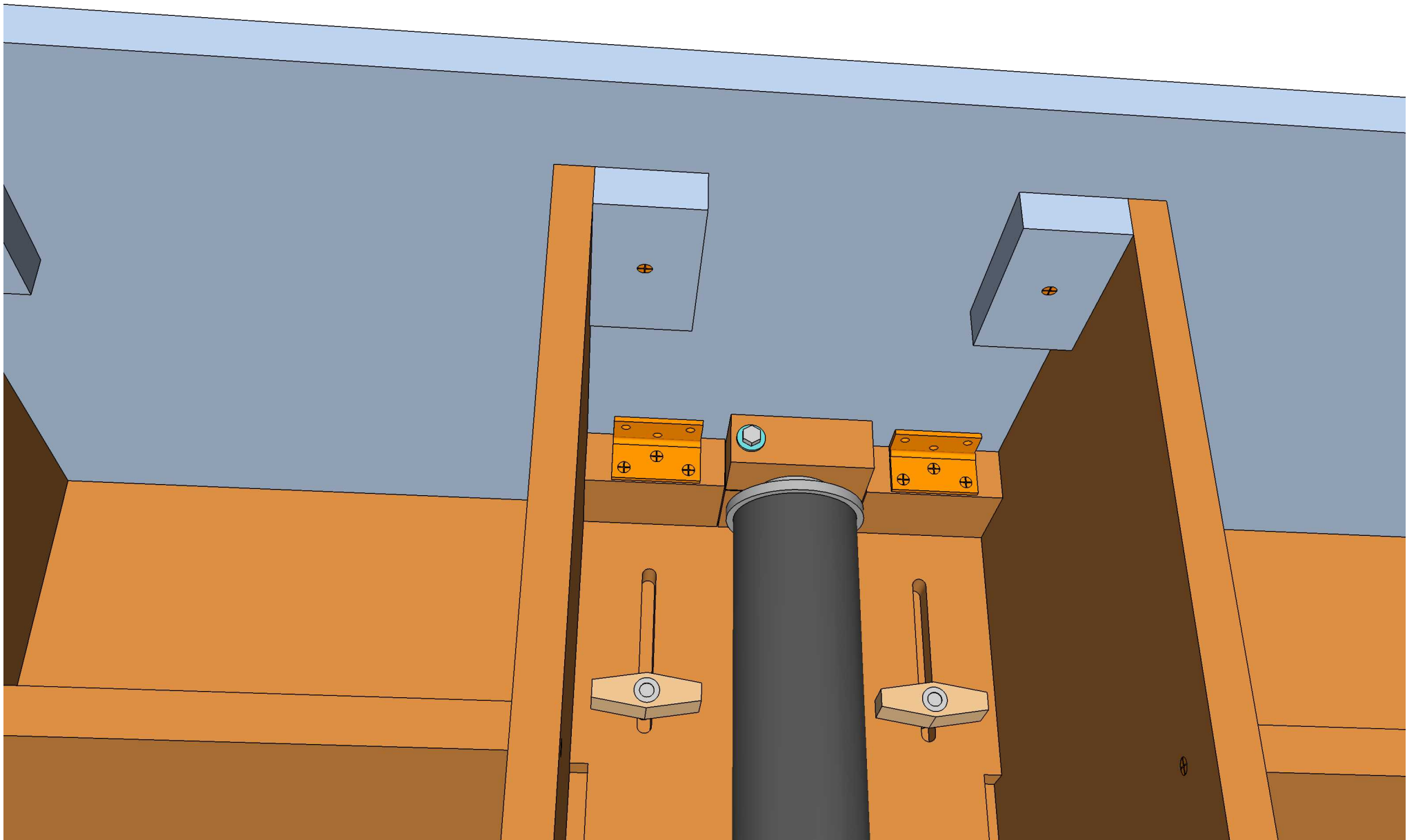
**Back 1/8 Scale X Ray**



**Detail 1**

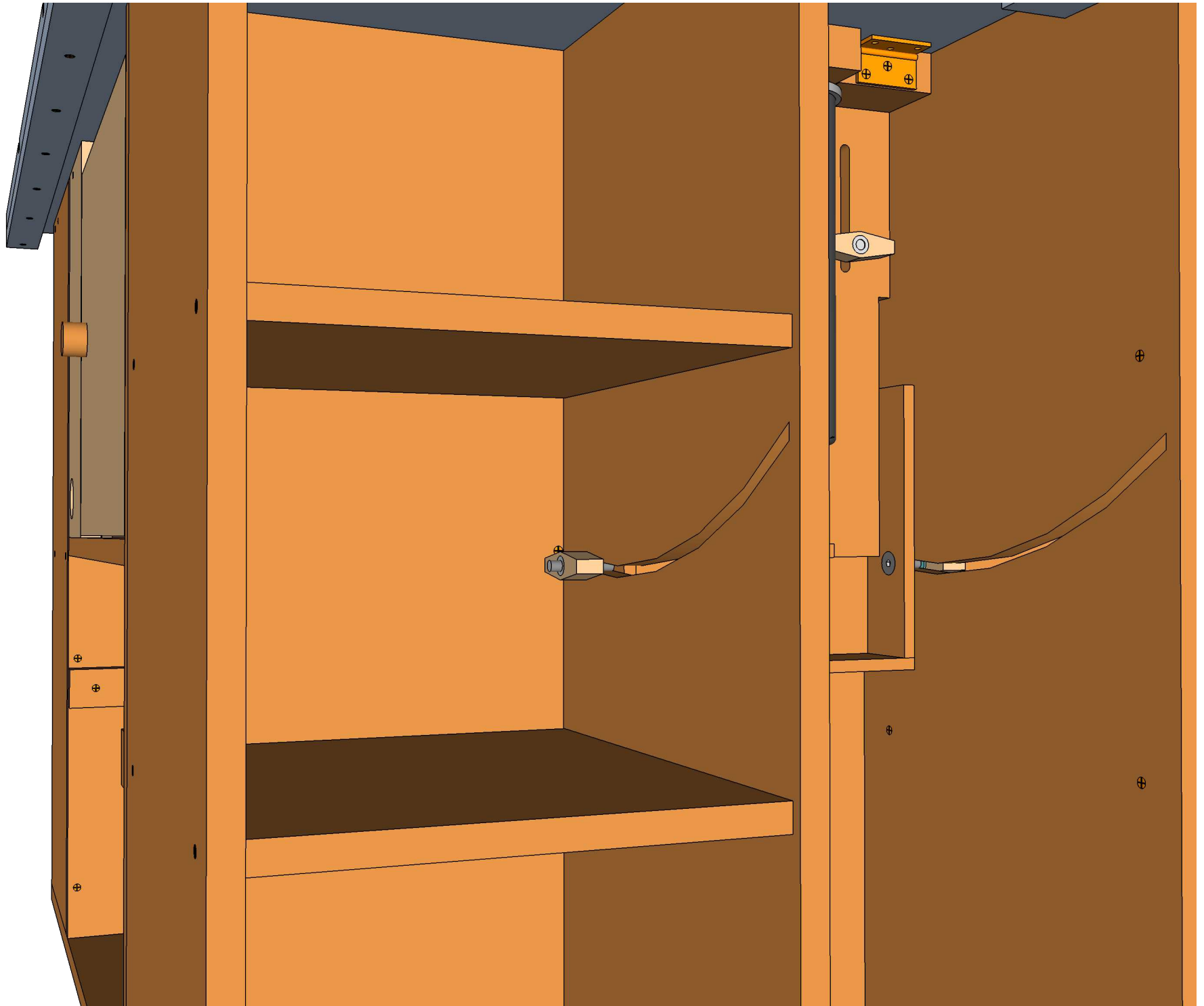


## Detail 2

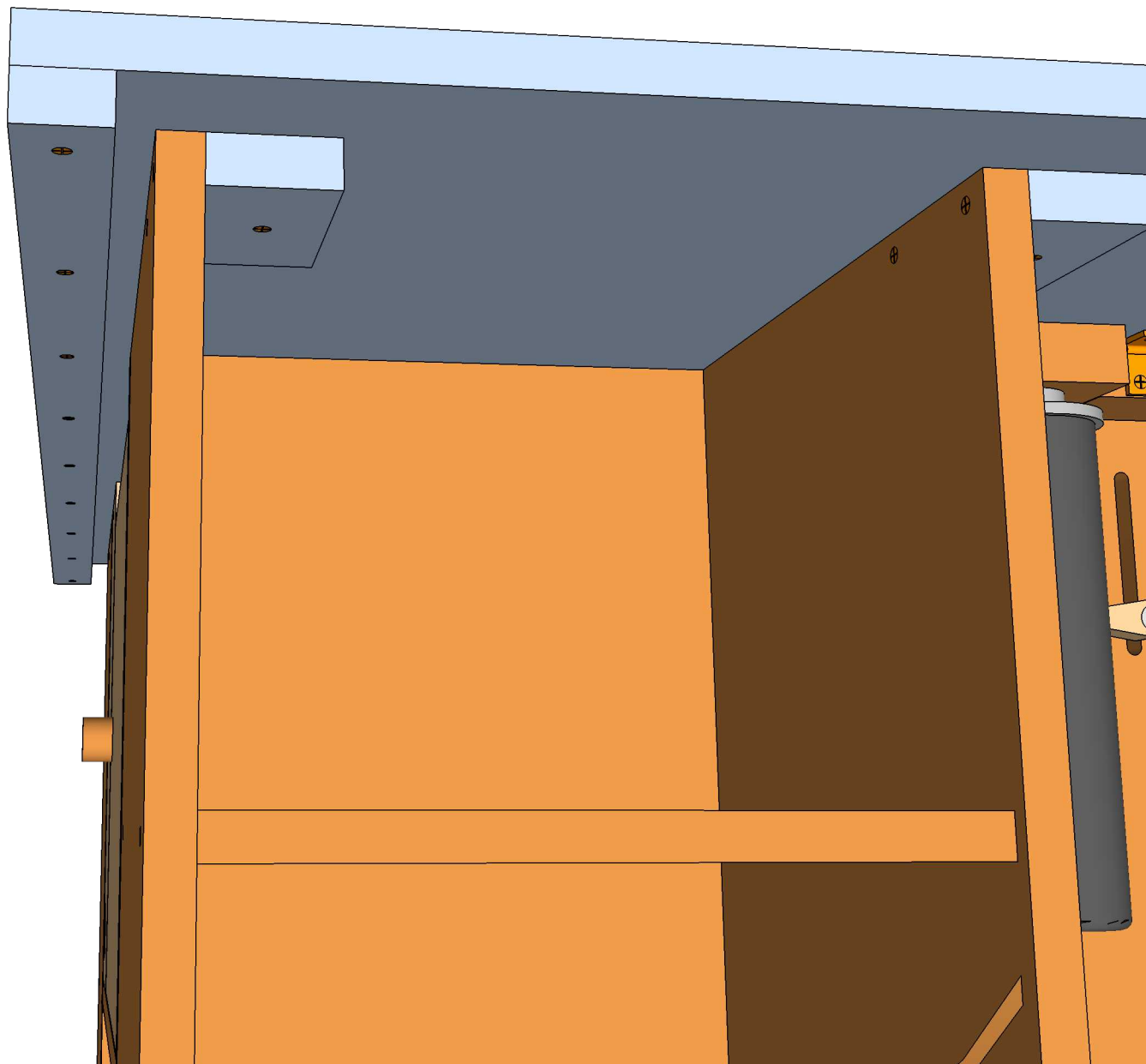




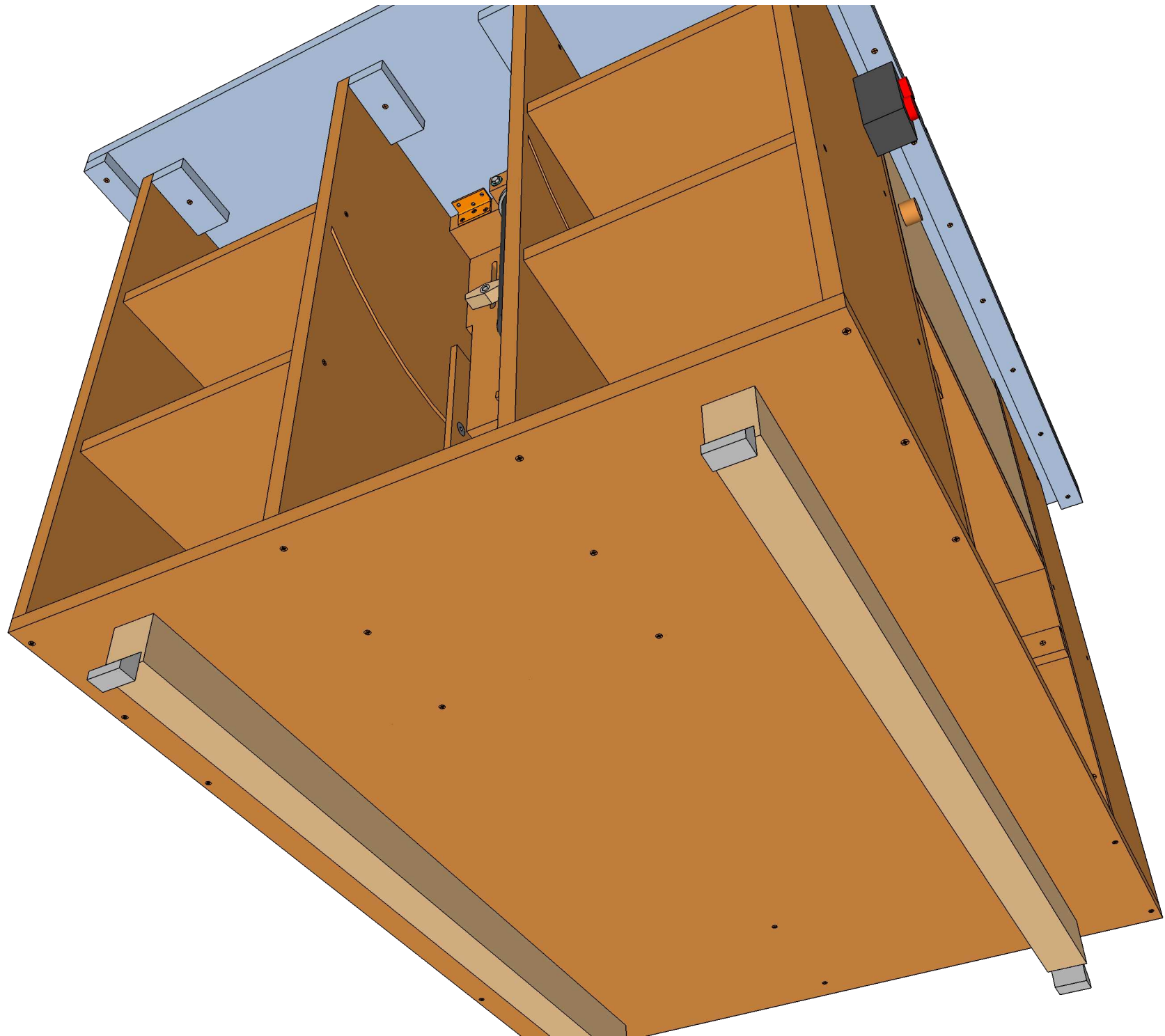
Detail 3



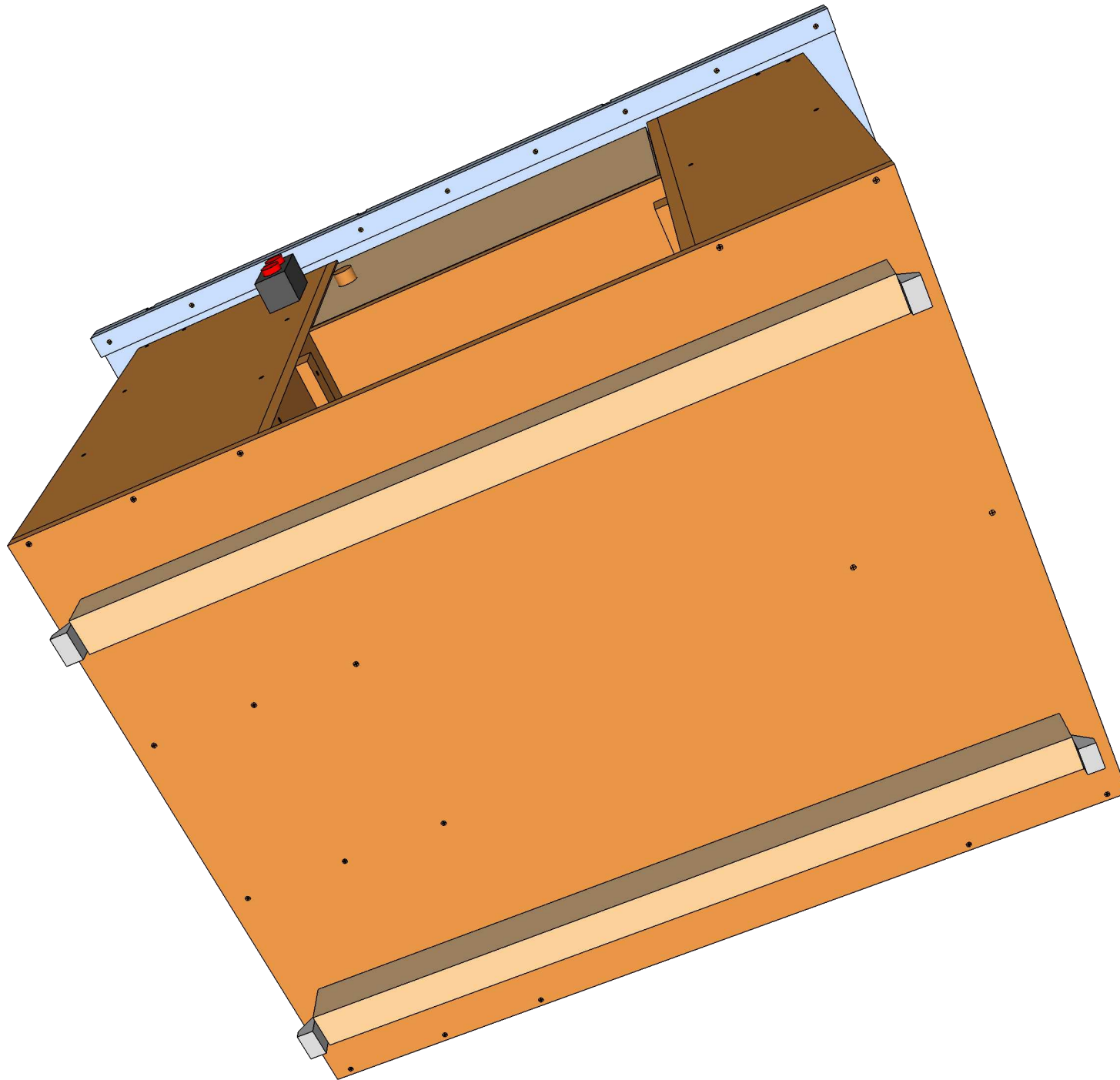
**Detail 4**



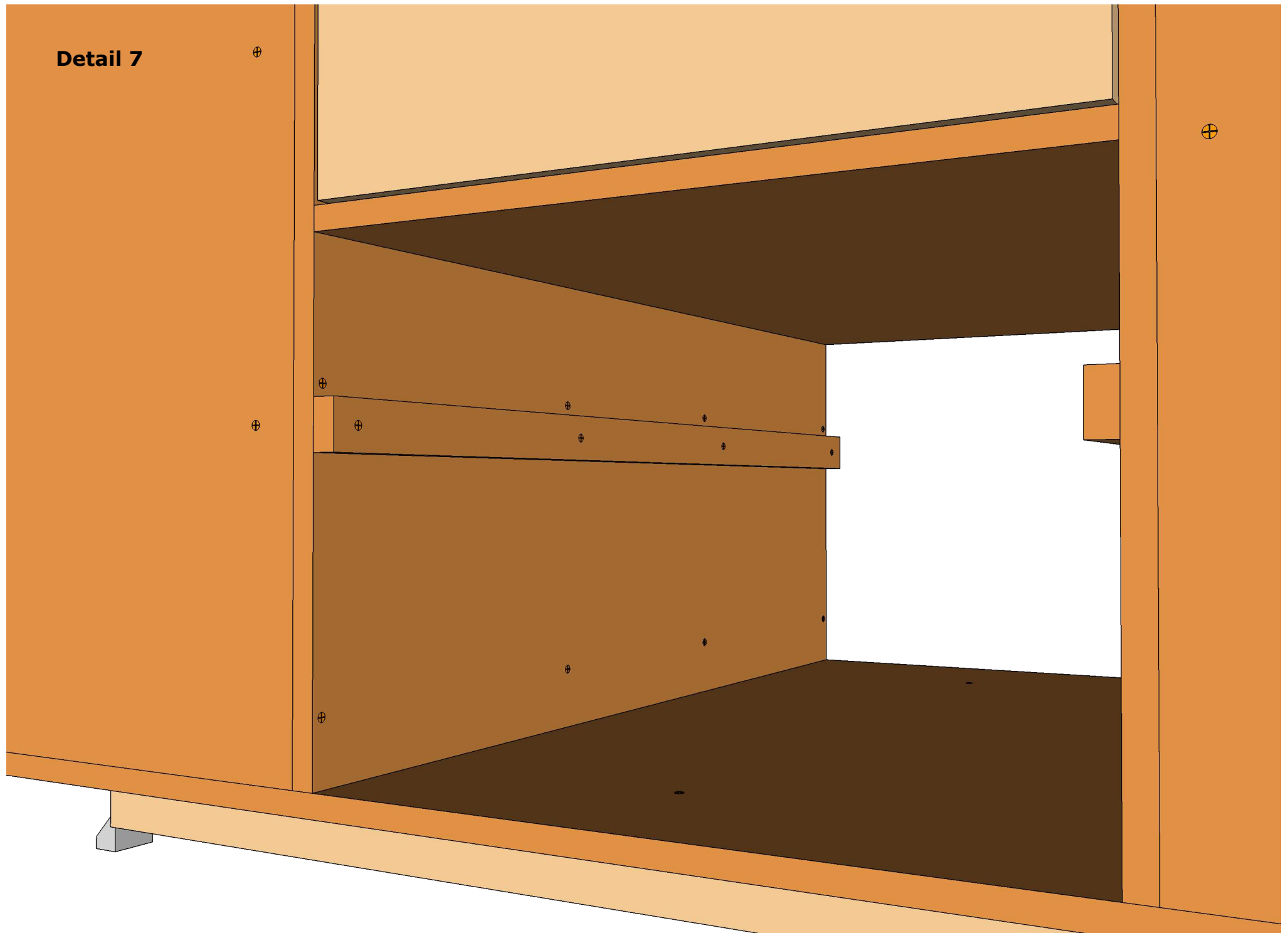
**Detail 5**



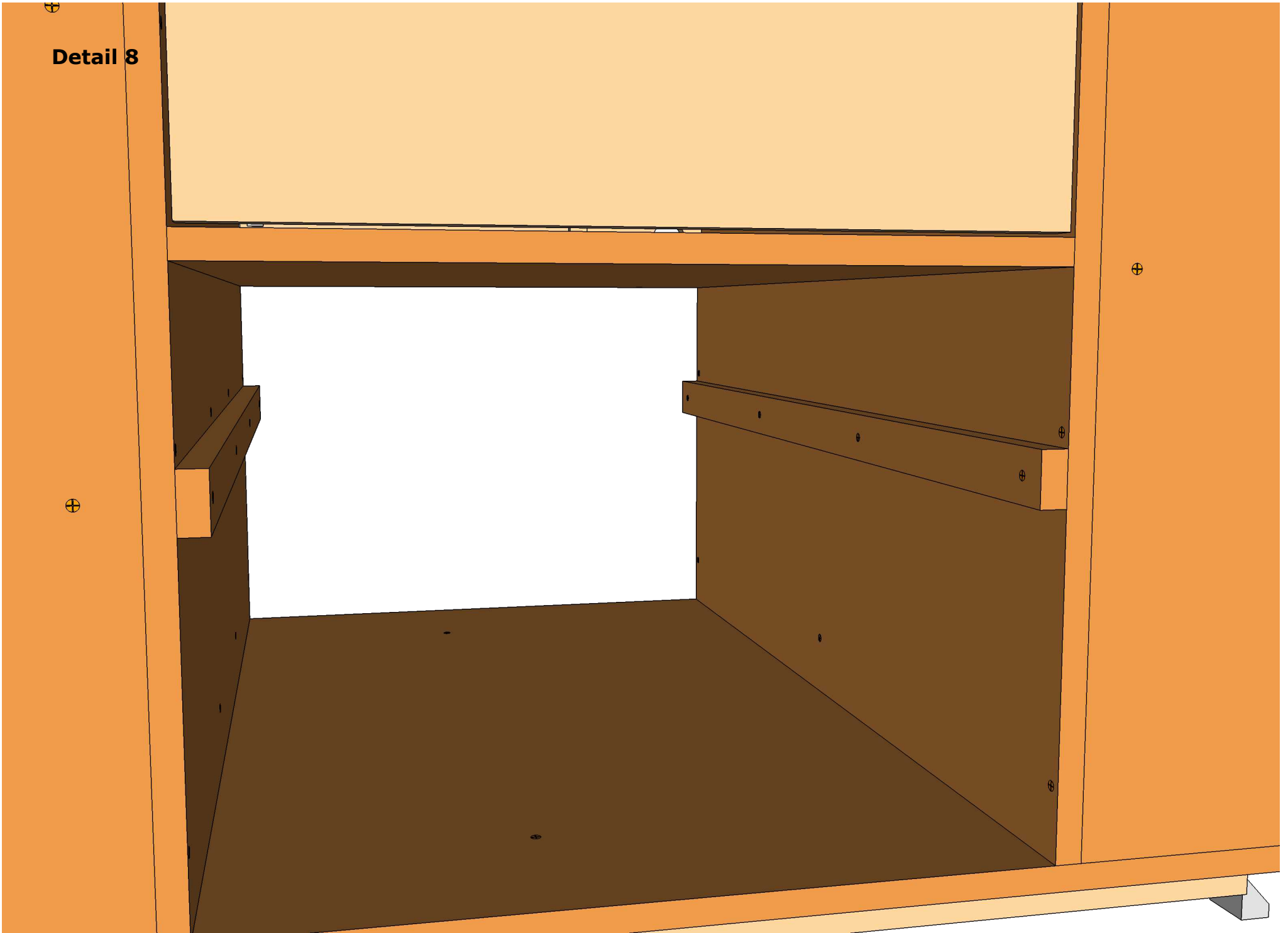
**Detail 6**



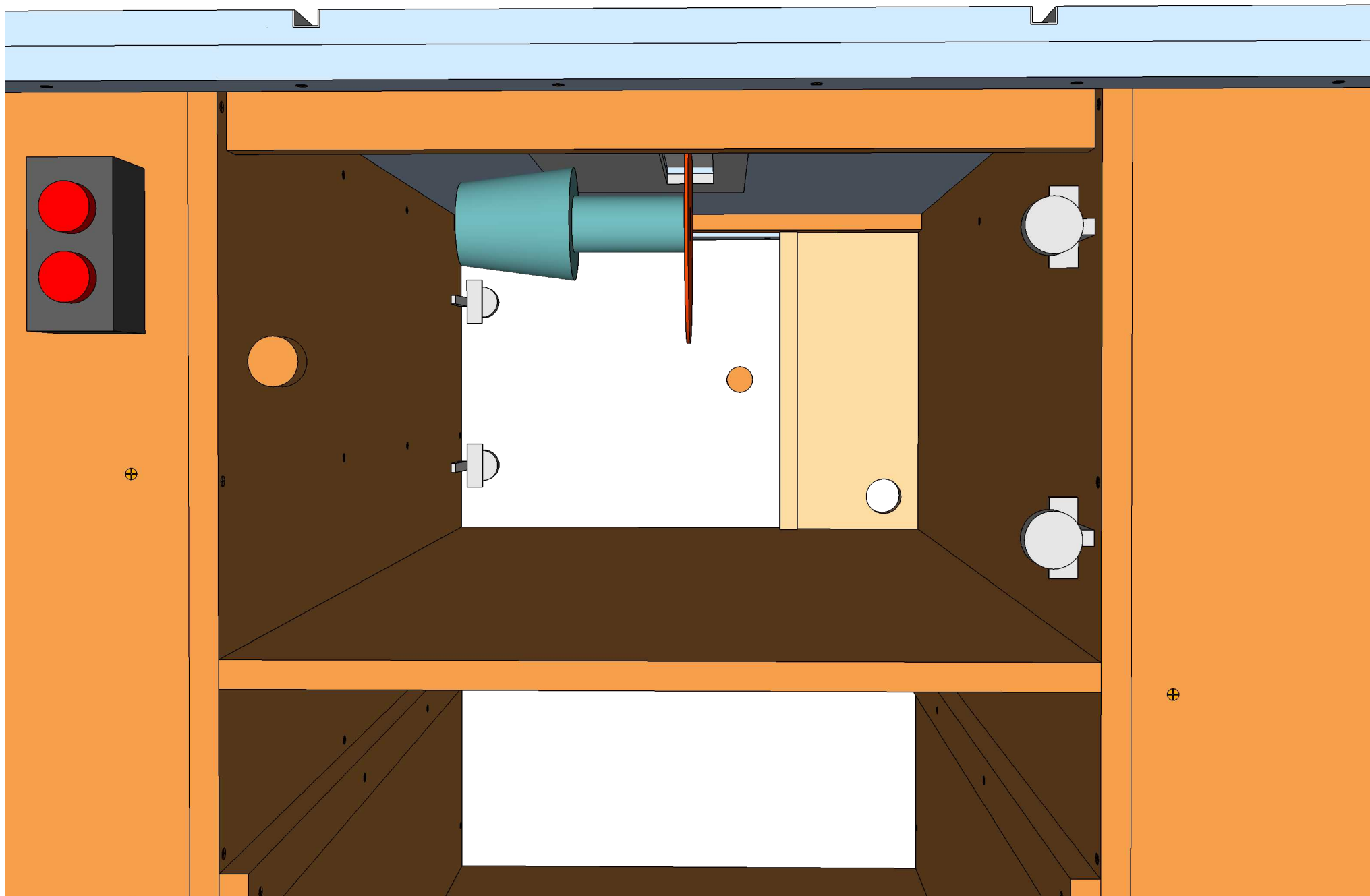
**Detail 7**



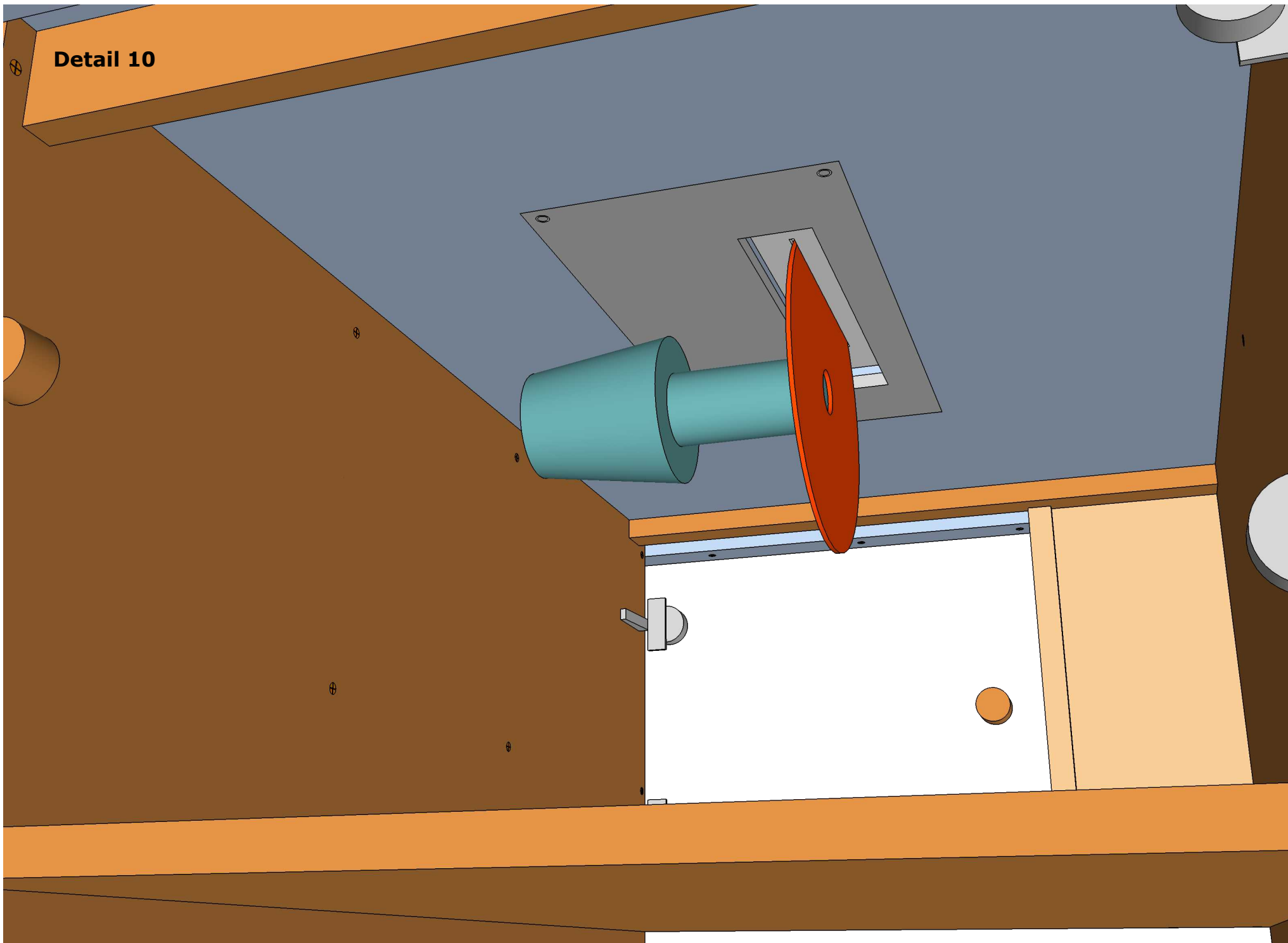
Detail 8



# Detail 9

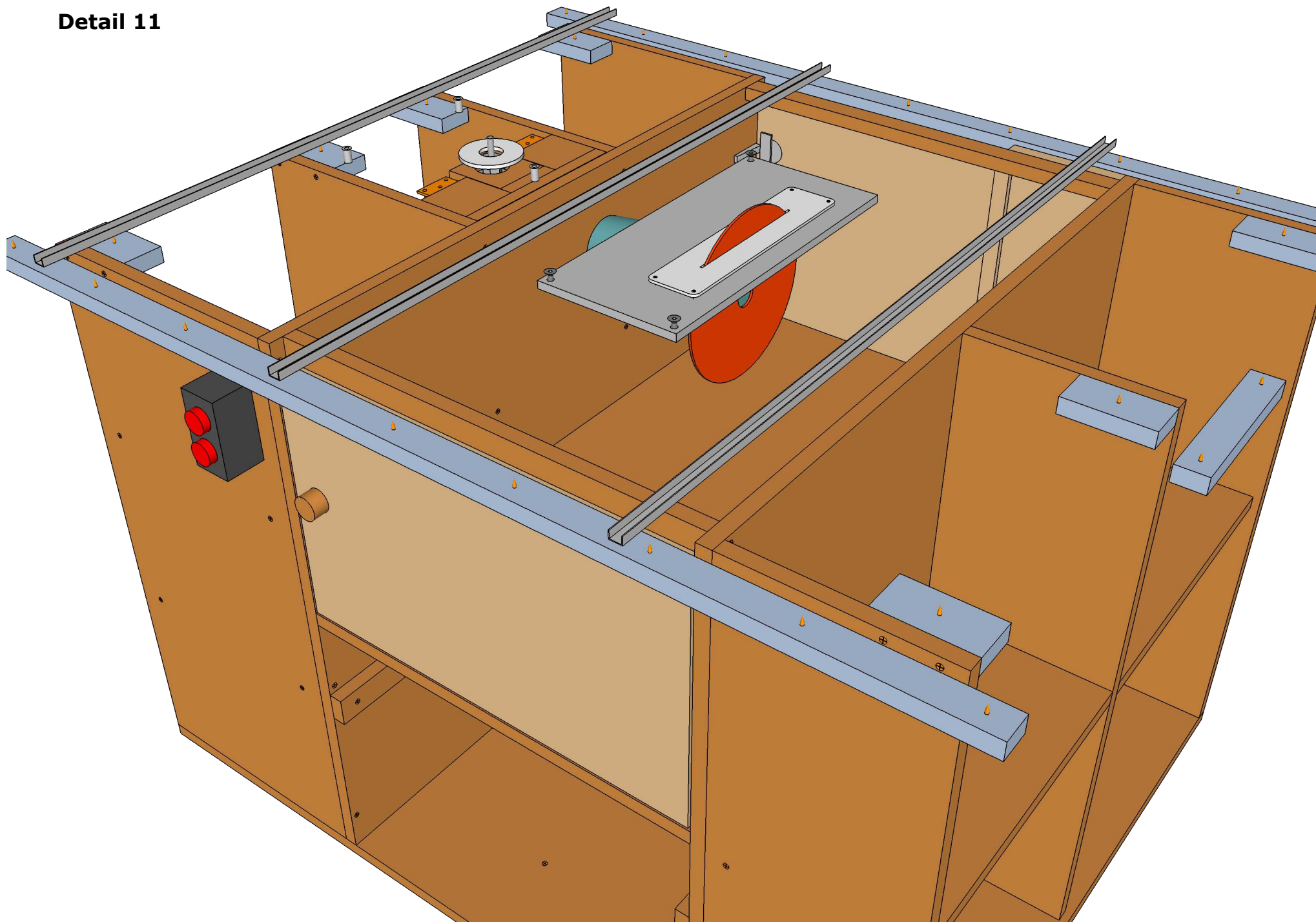


**Detail 10**

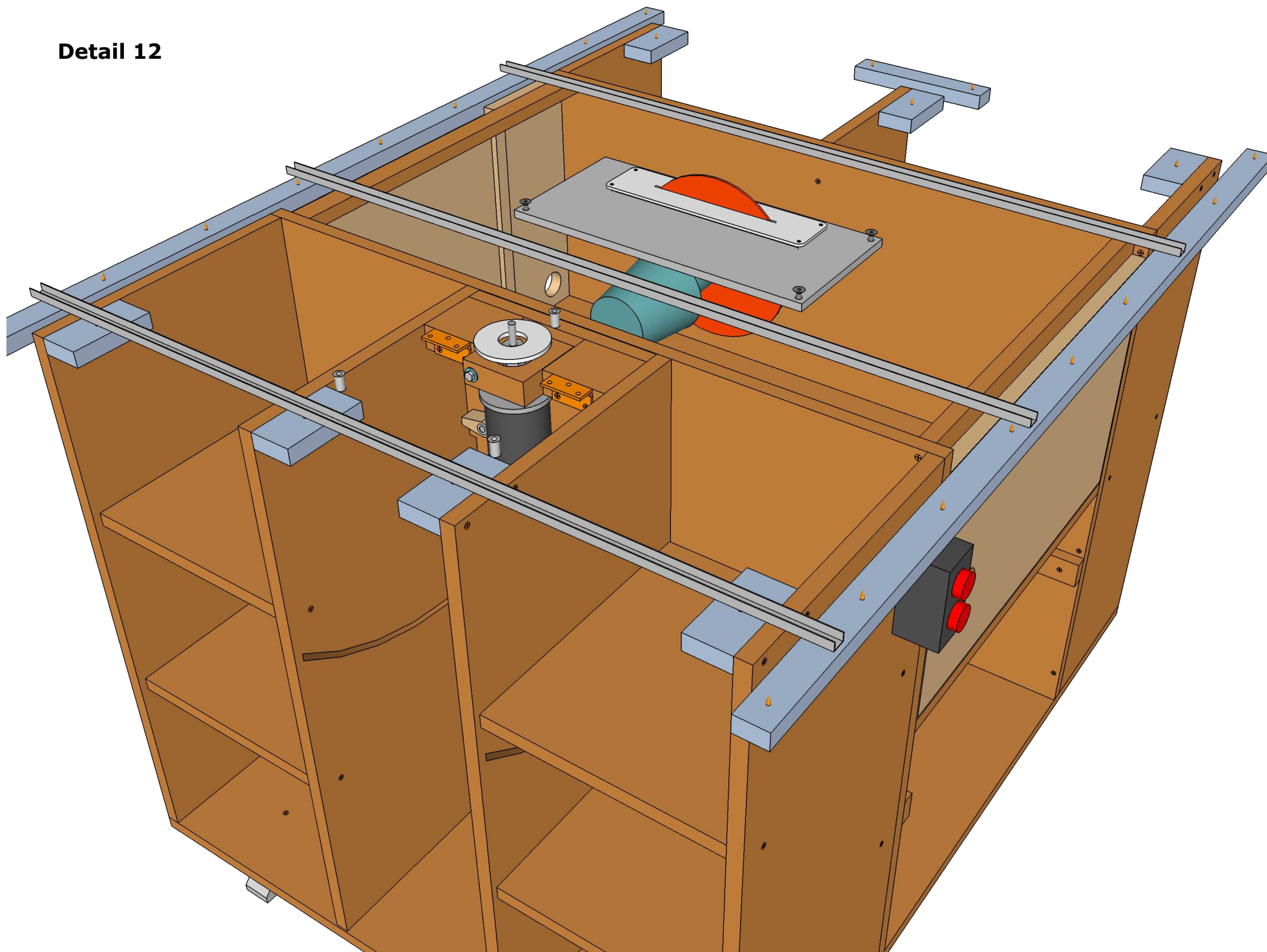




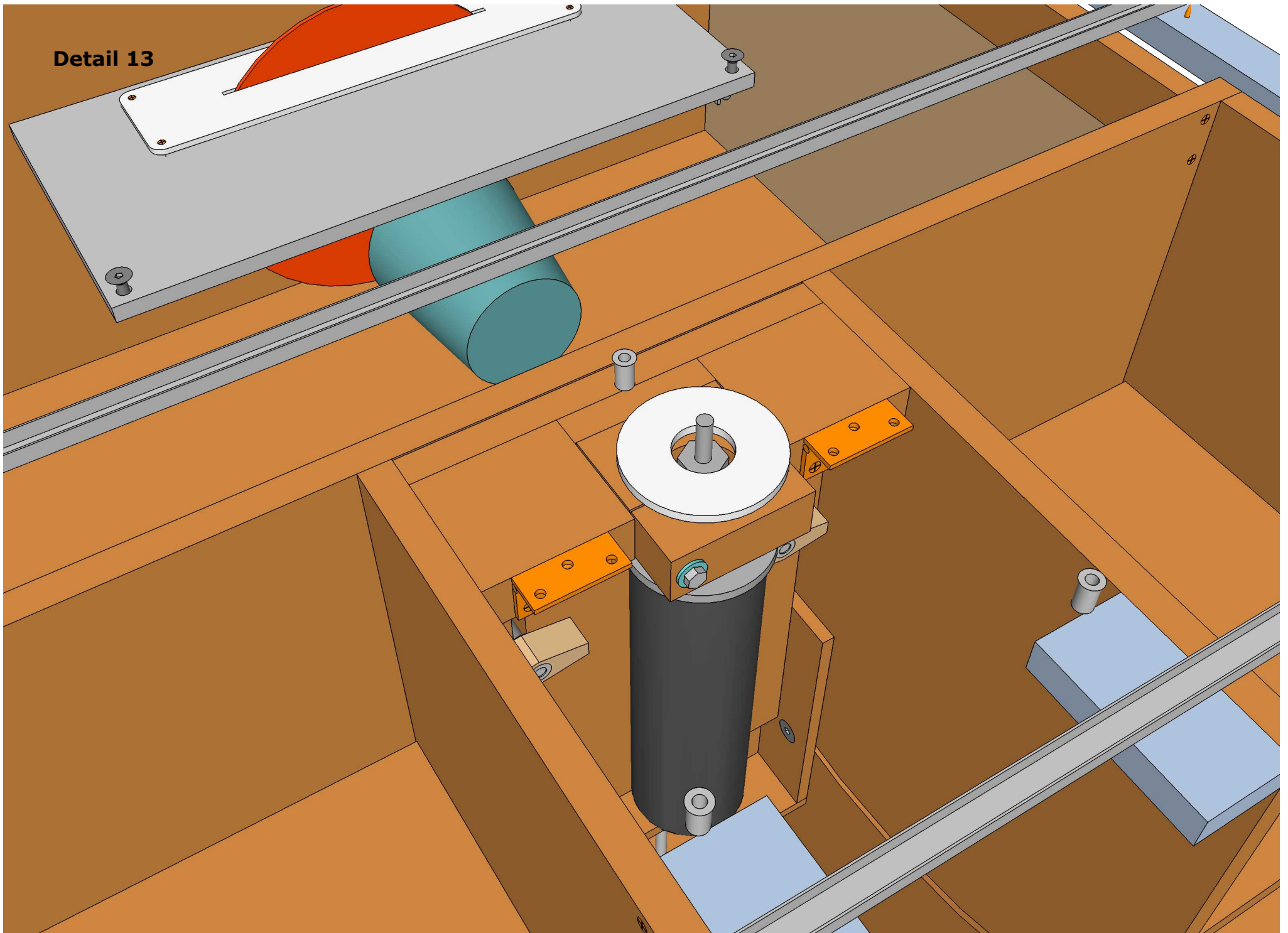
**Detail 11**



**Detail 12**

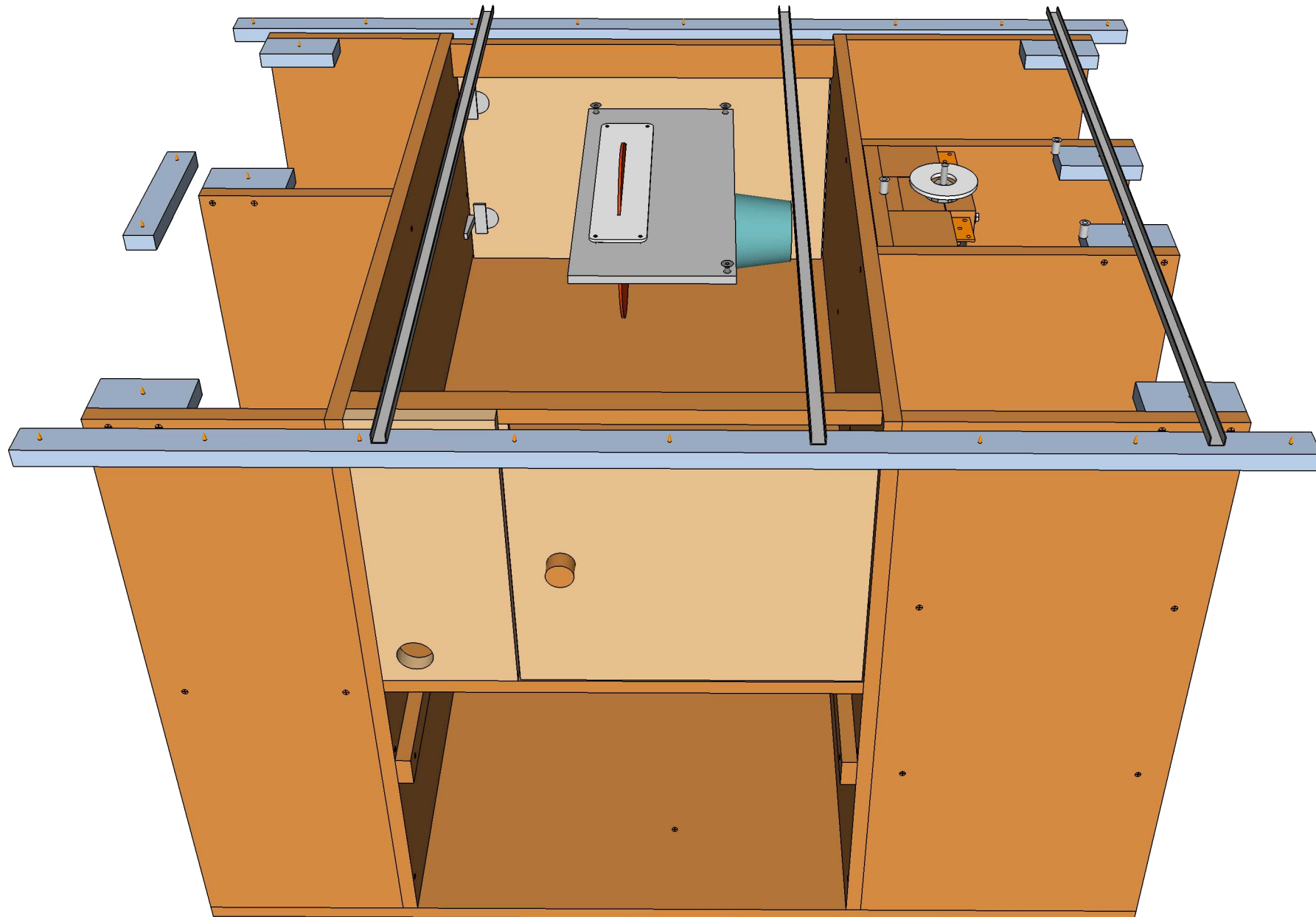


Detail 13

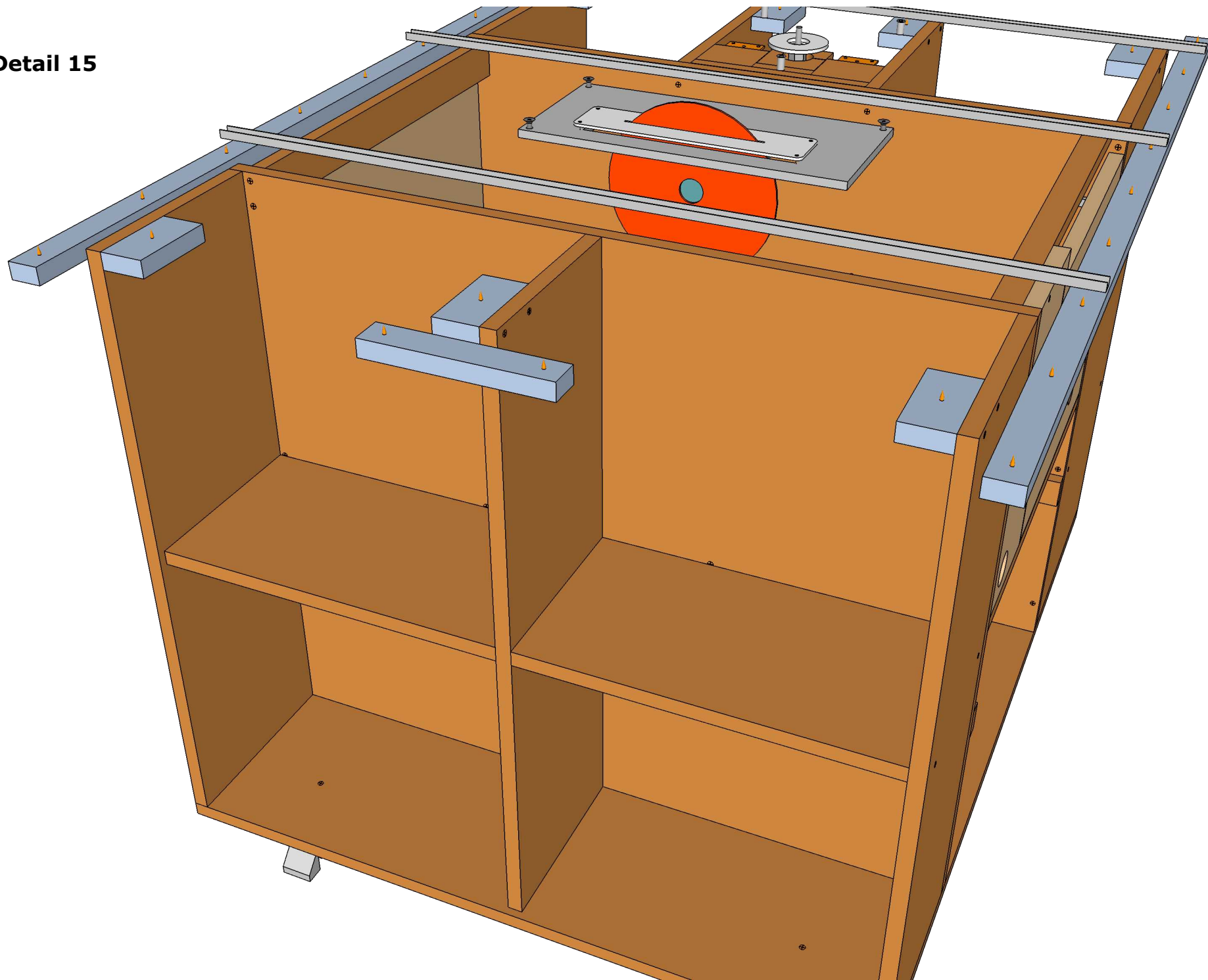




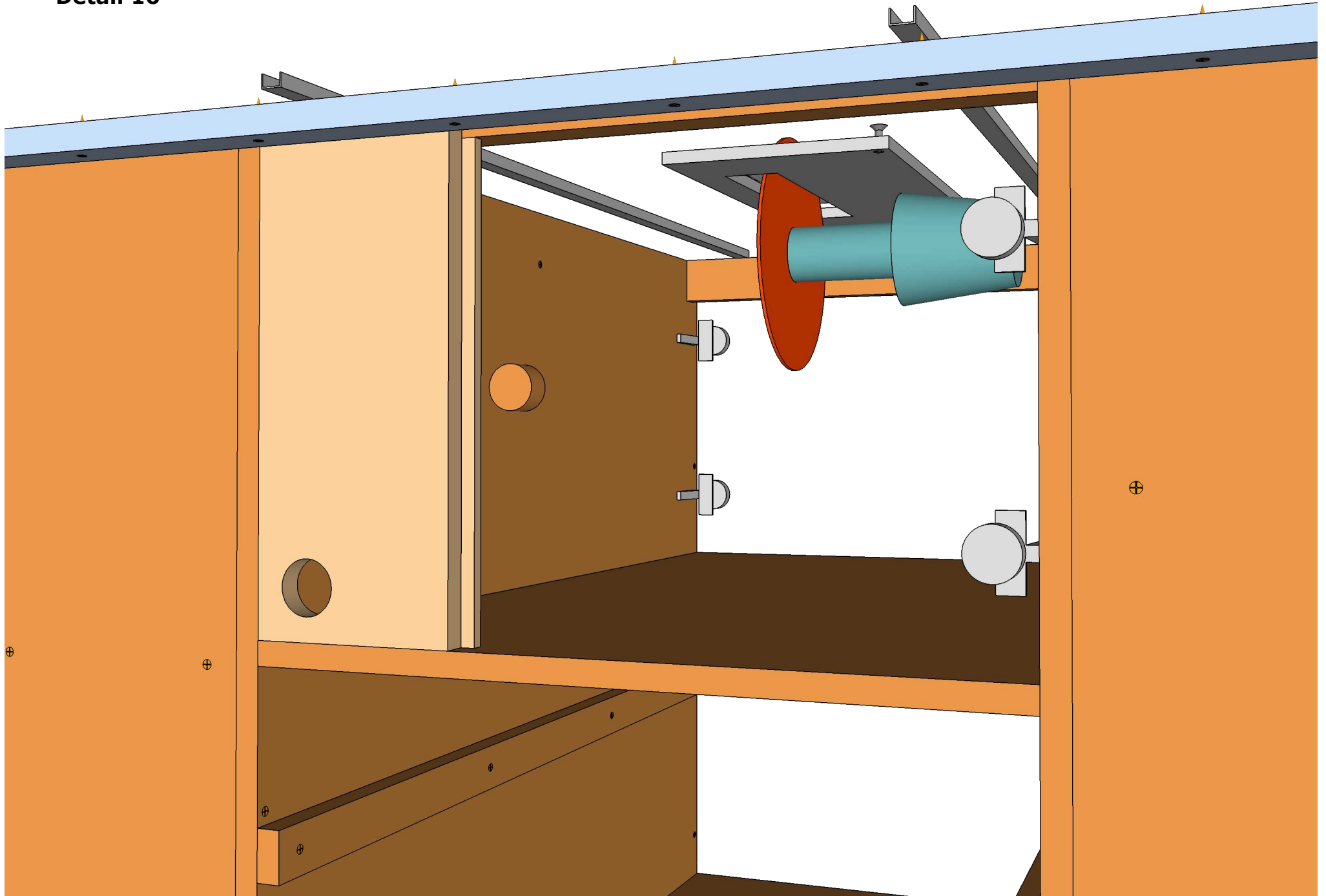
## Detail 14



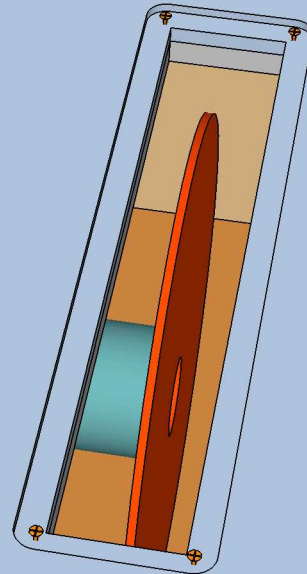
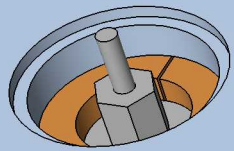
**Detail 15**



**Detail 16**



**Detail 17**

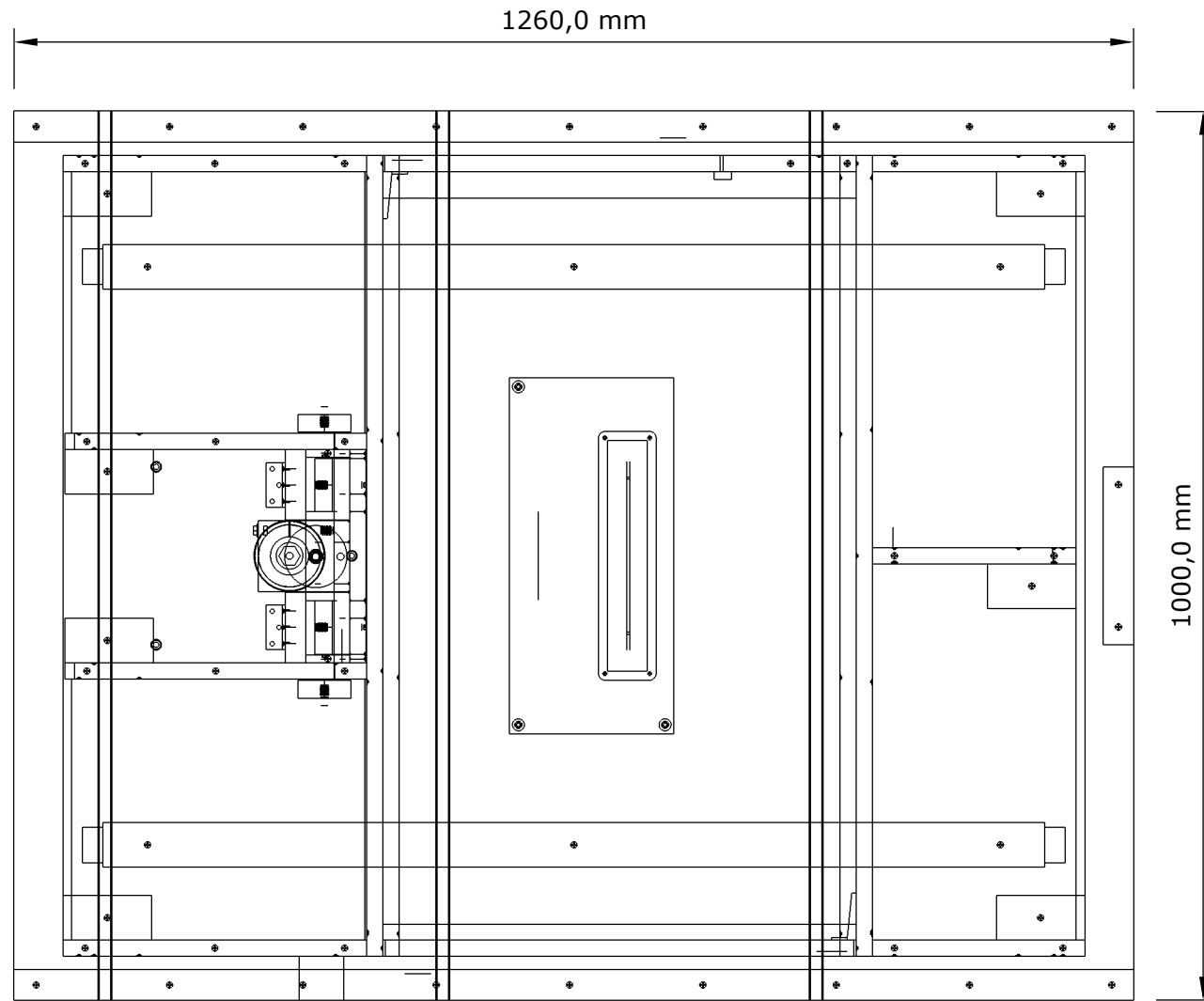


**Detail 18**

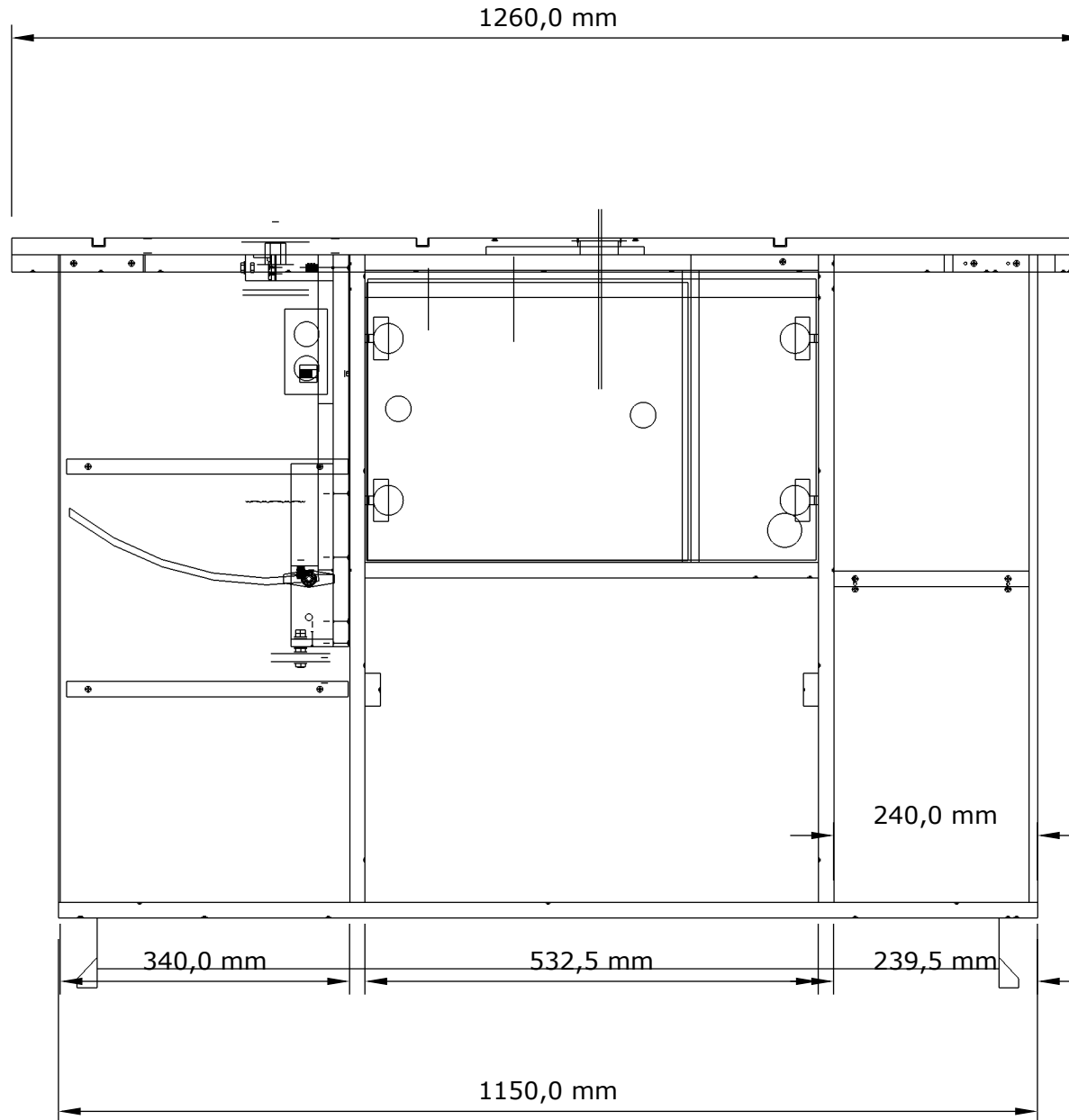




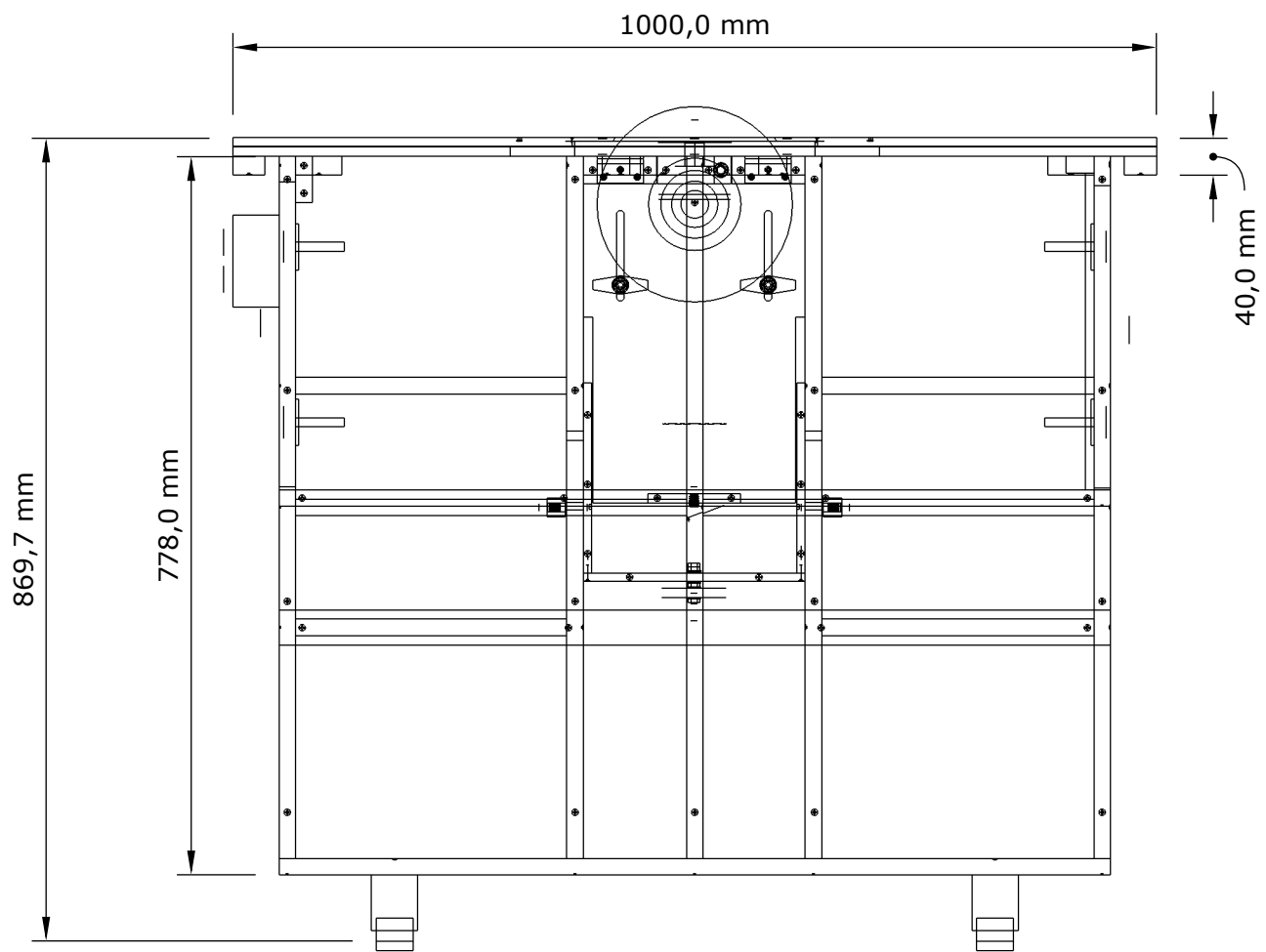
**Detail 19 1/8 Scale**

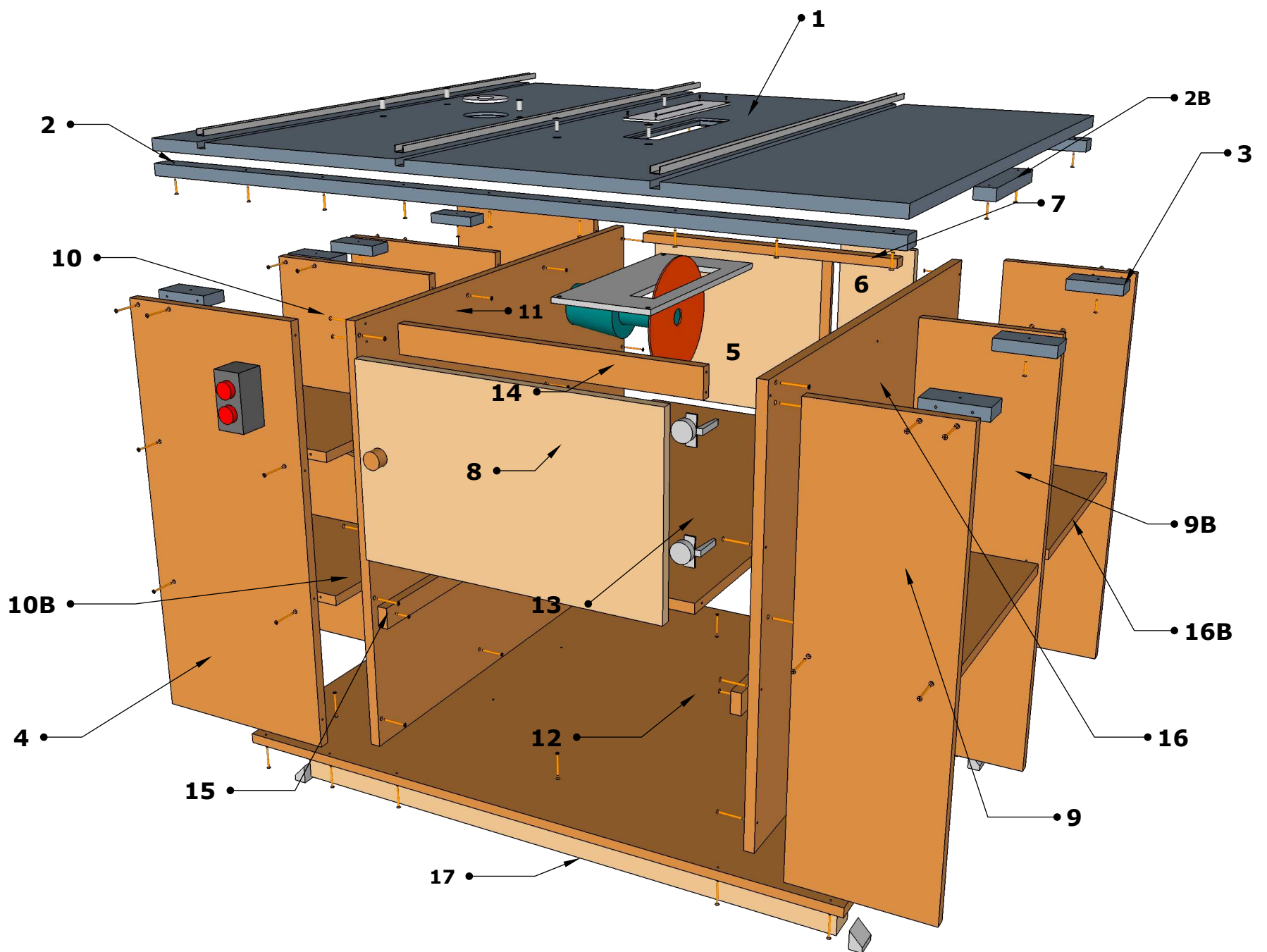


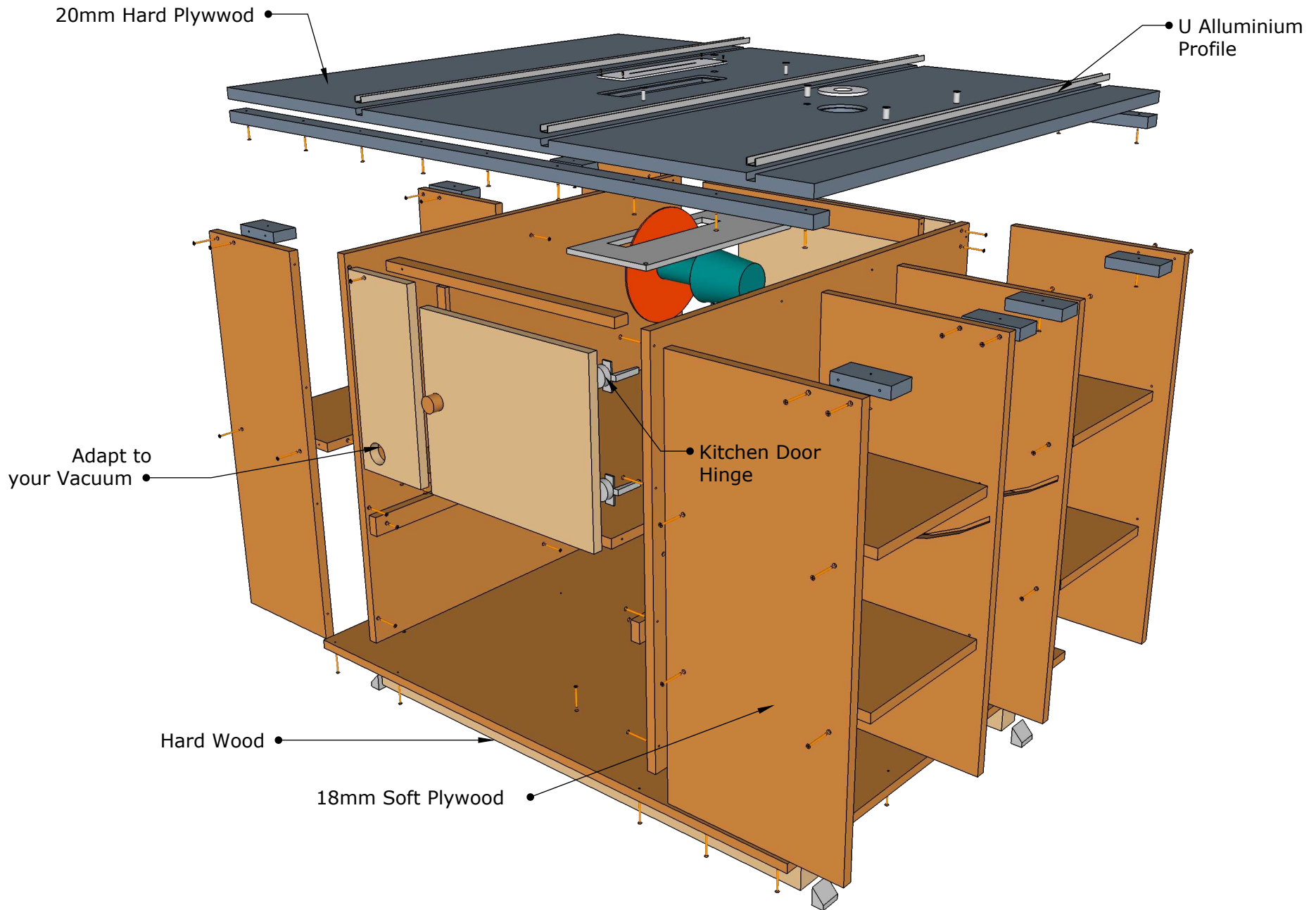
**Detail 20 1/8 Scale**



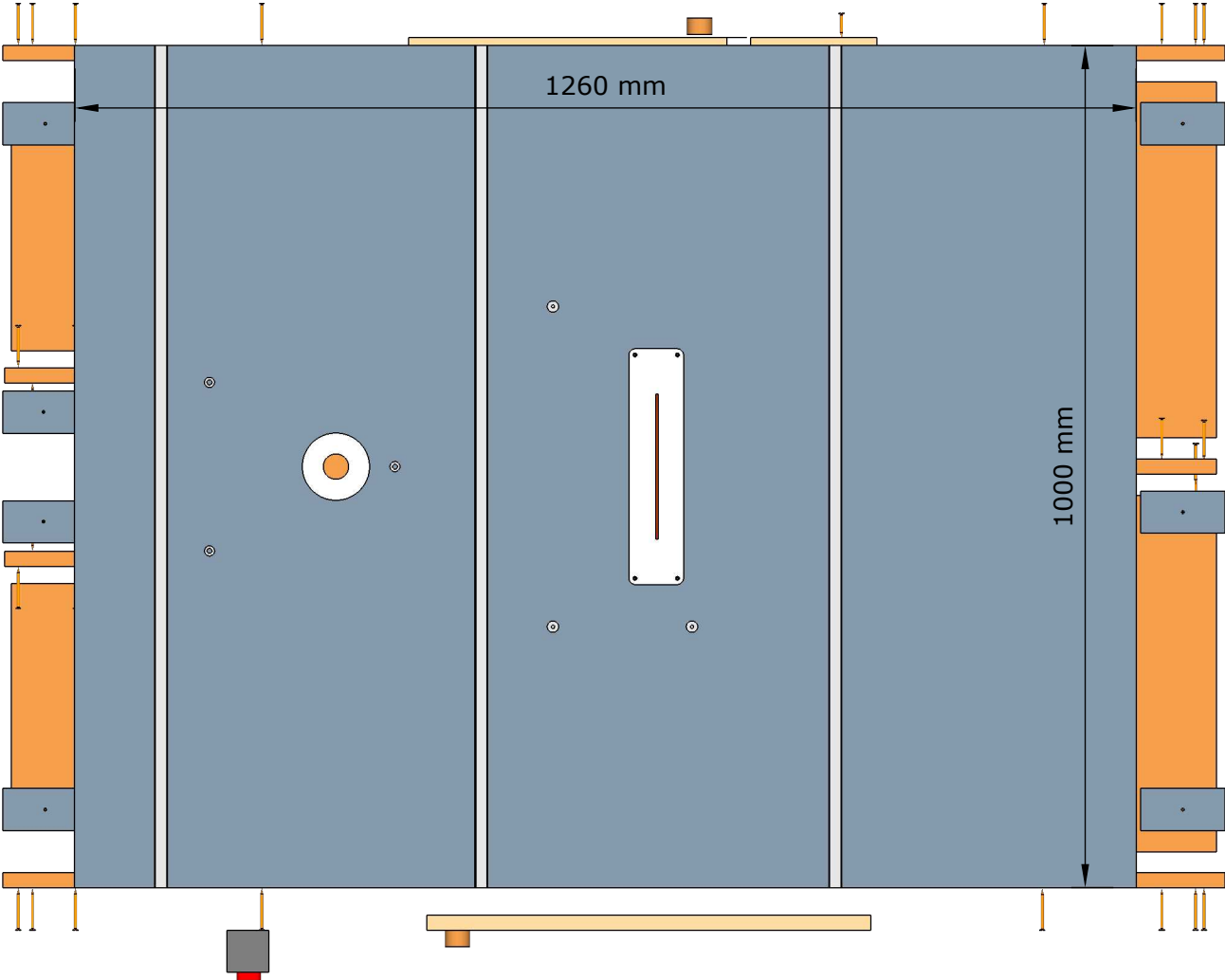
**Detail 21 1/8 Scale**



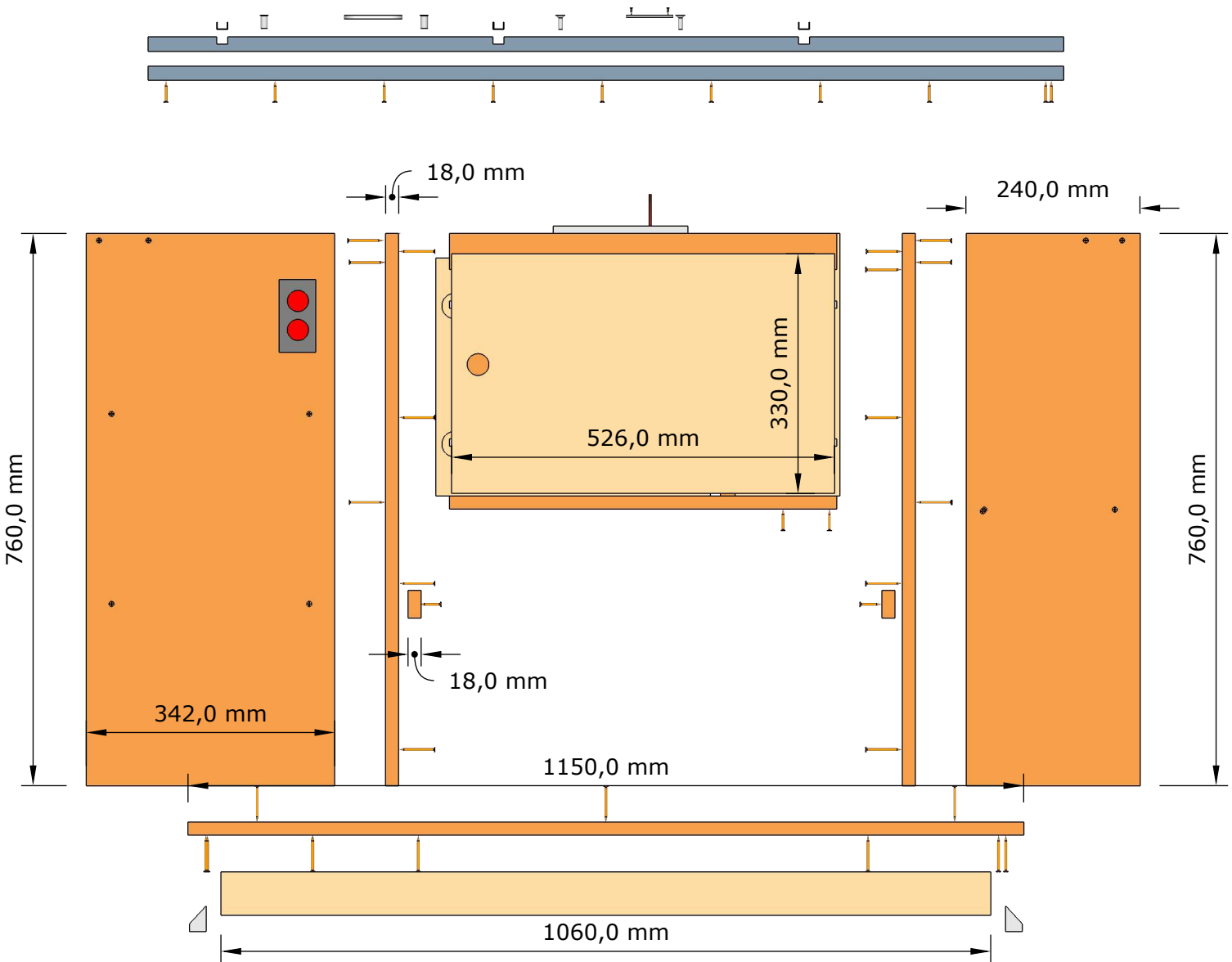




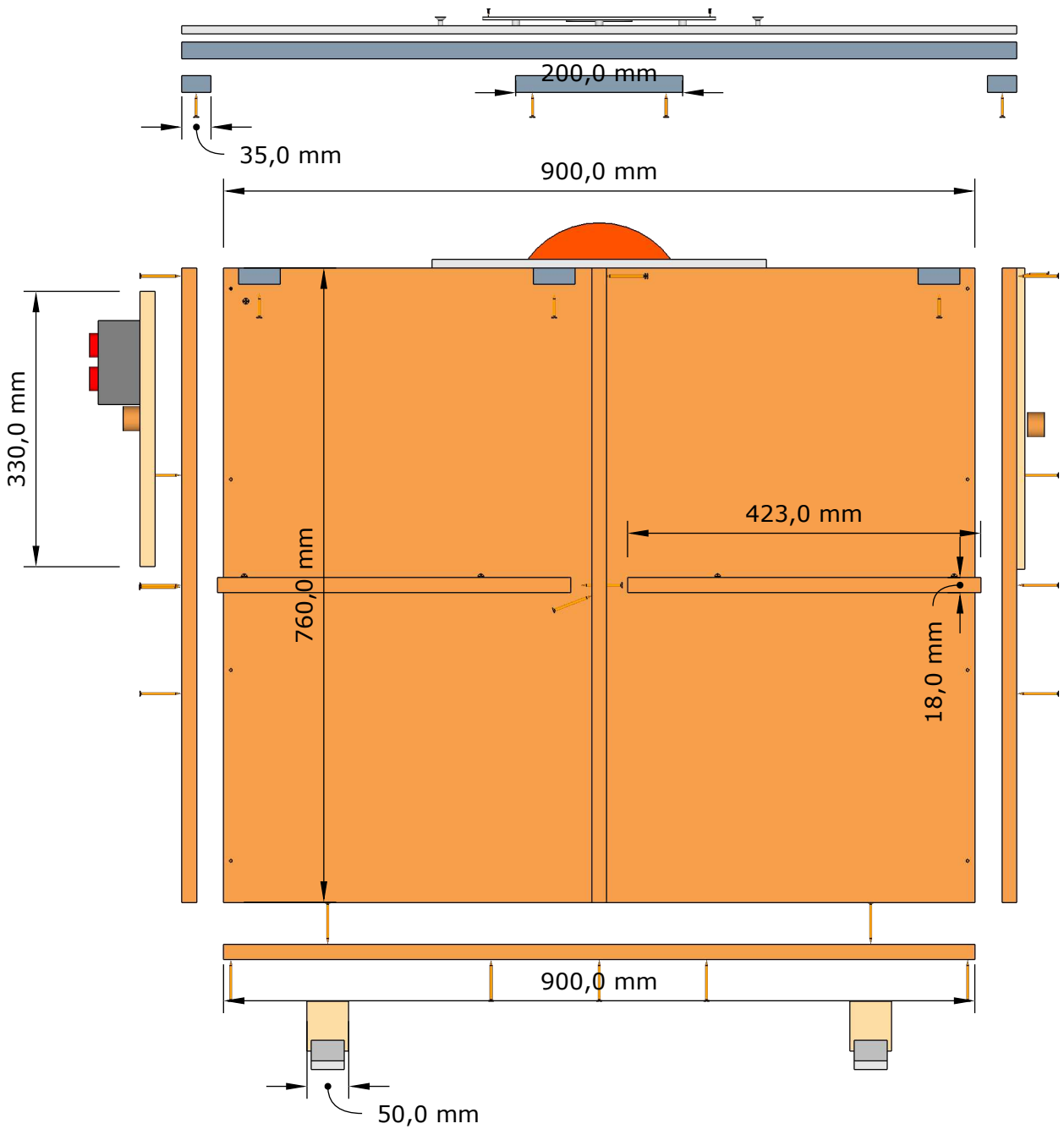
**Top Exploded**



# Front Exploded

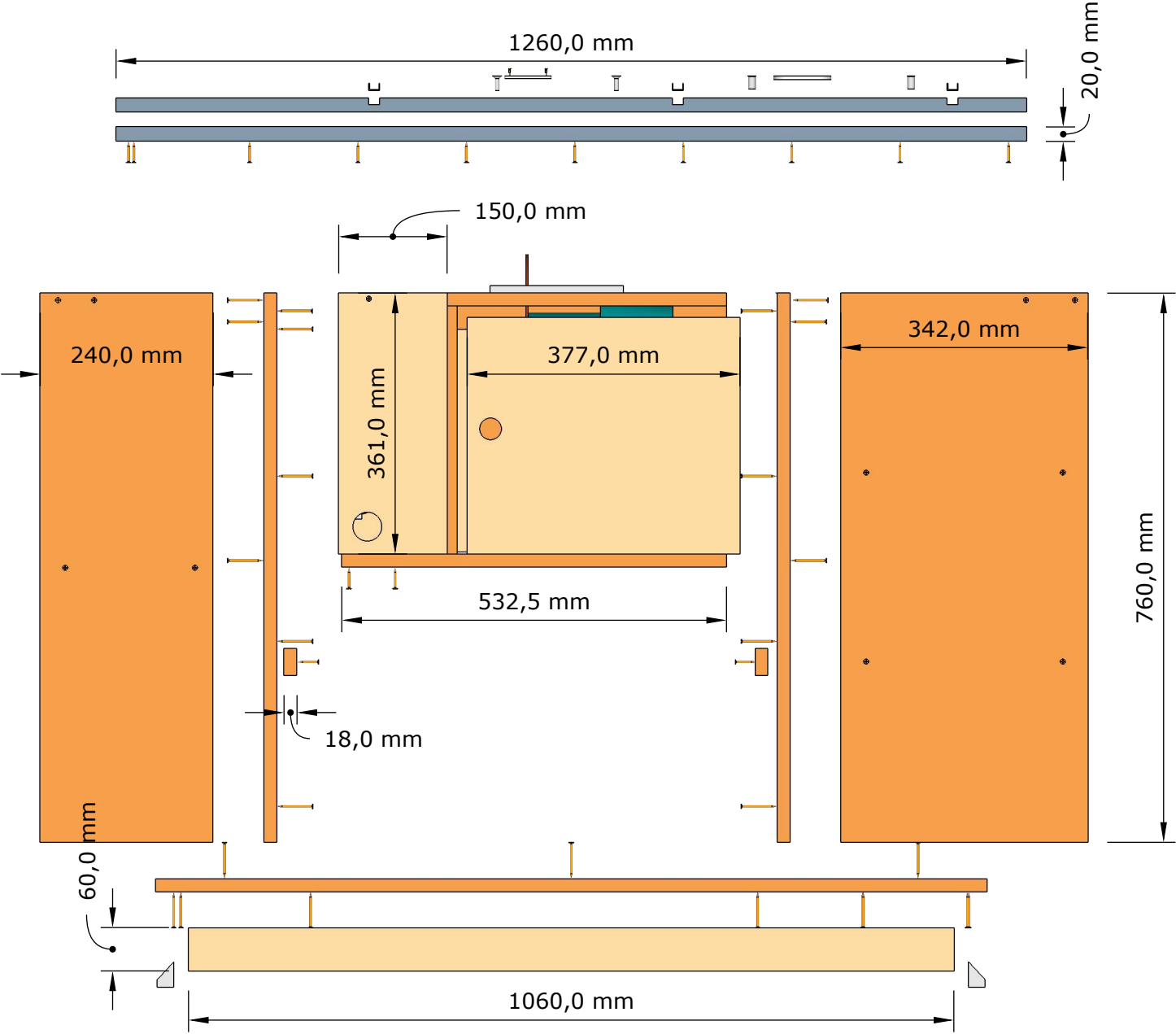


# Right Exploded

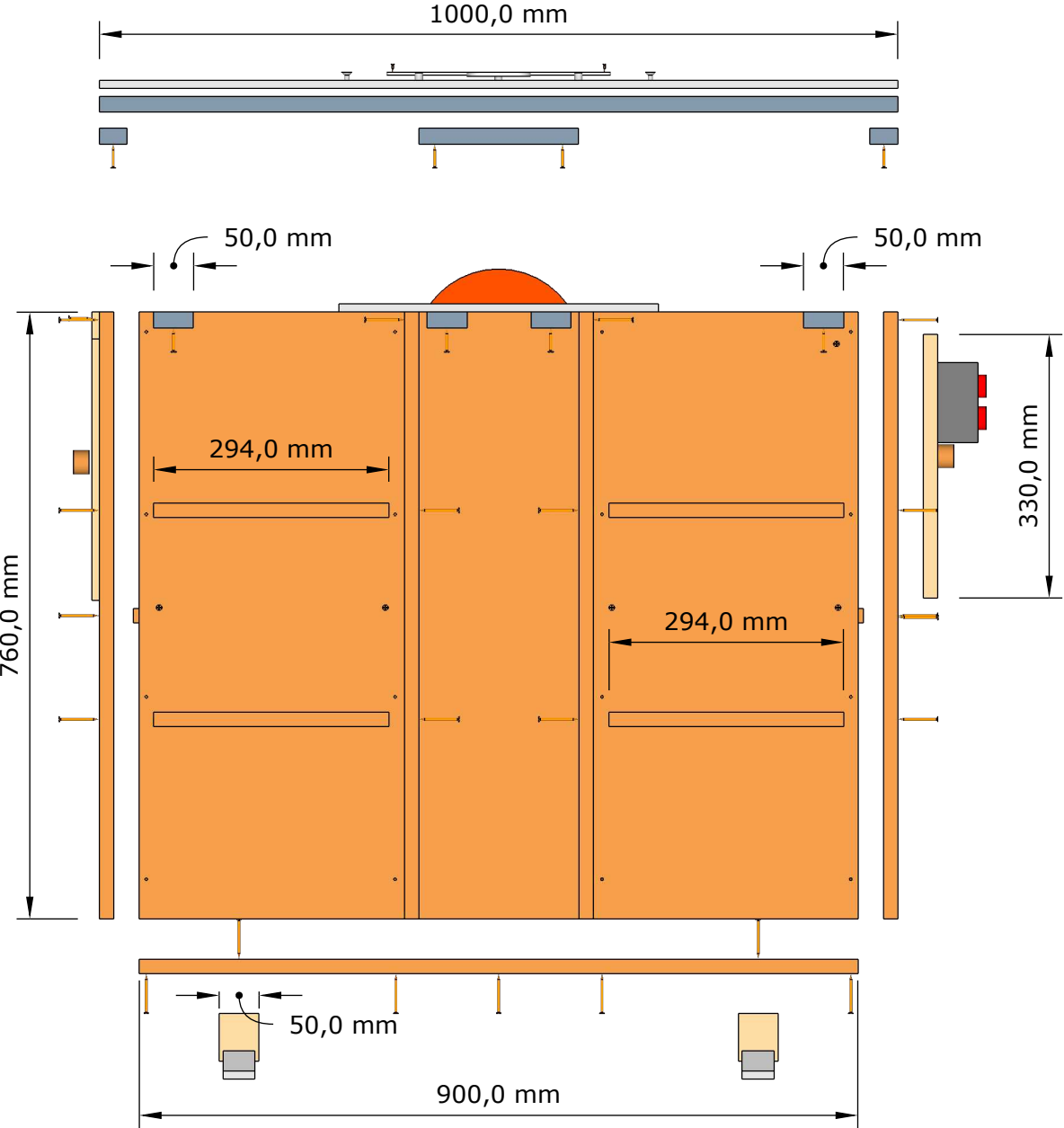




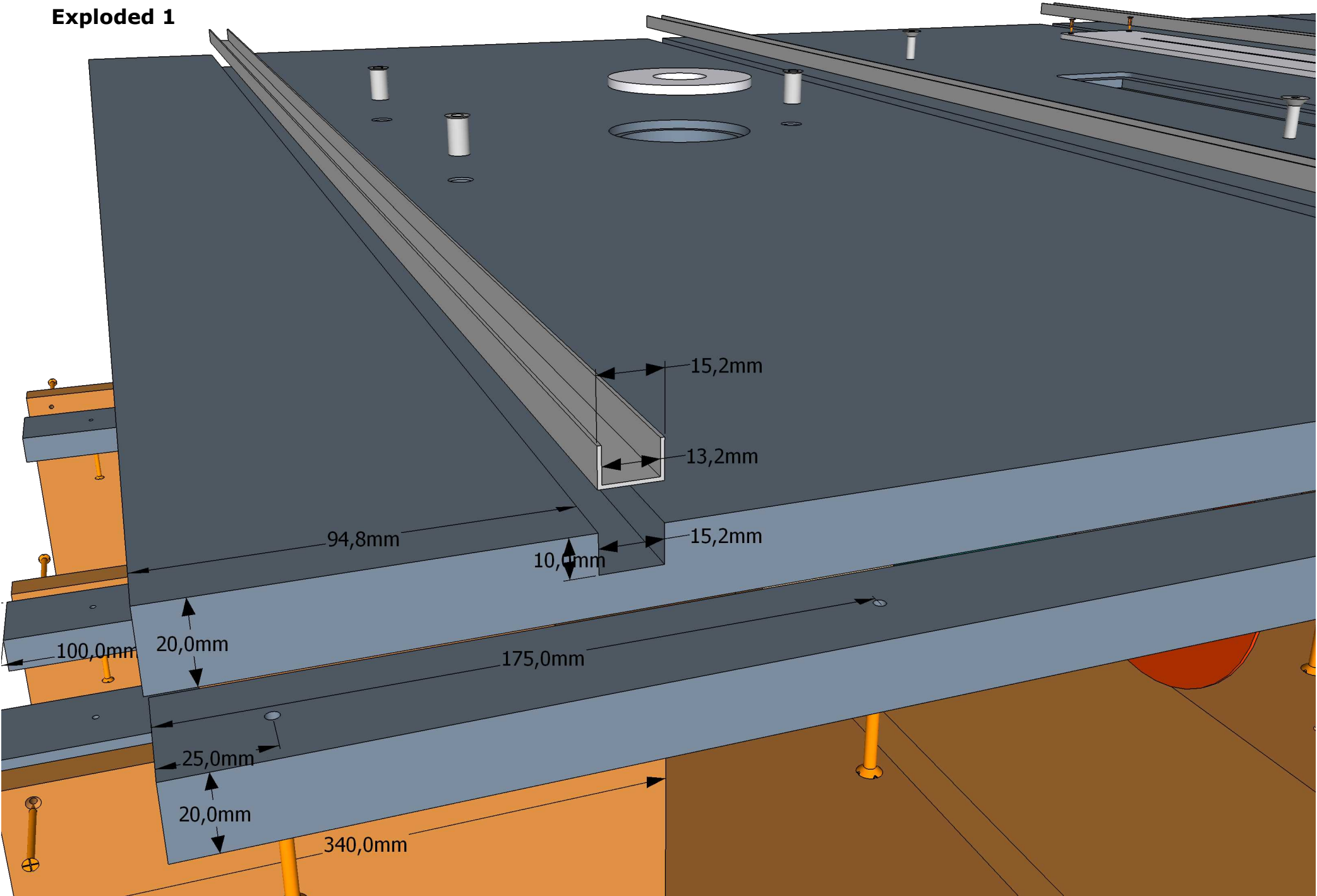
**Back Exploded**



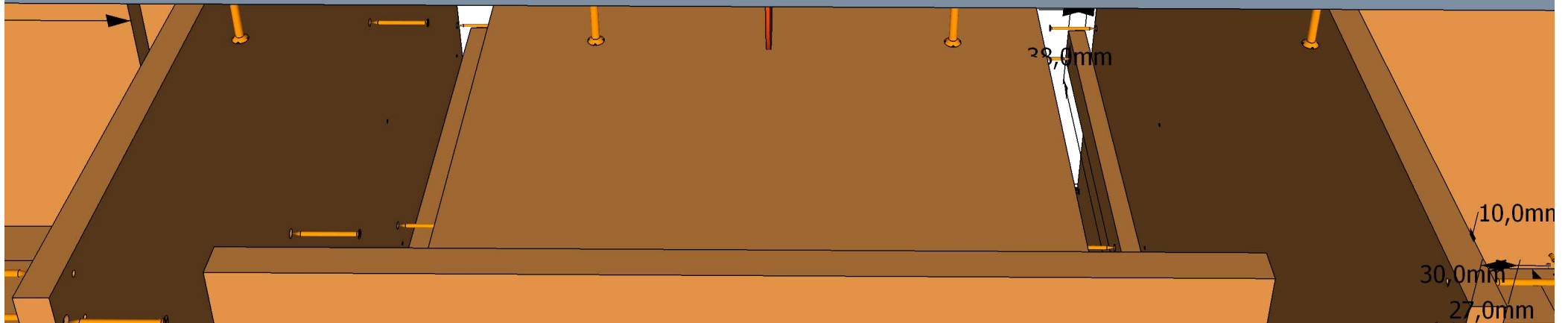
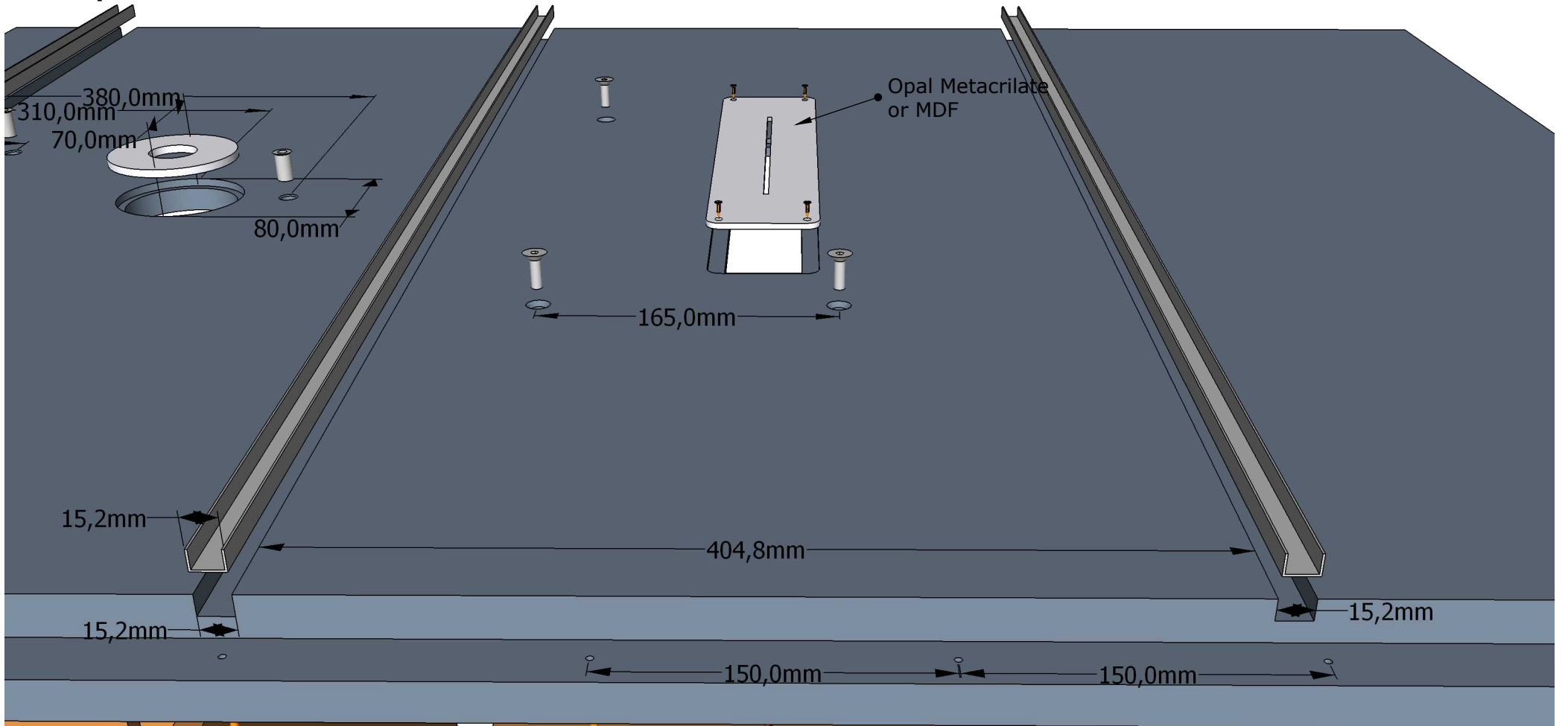
**Left Exploded**

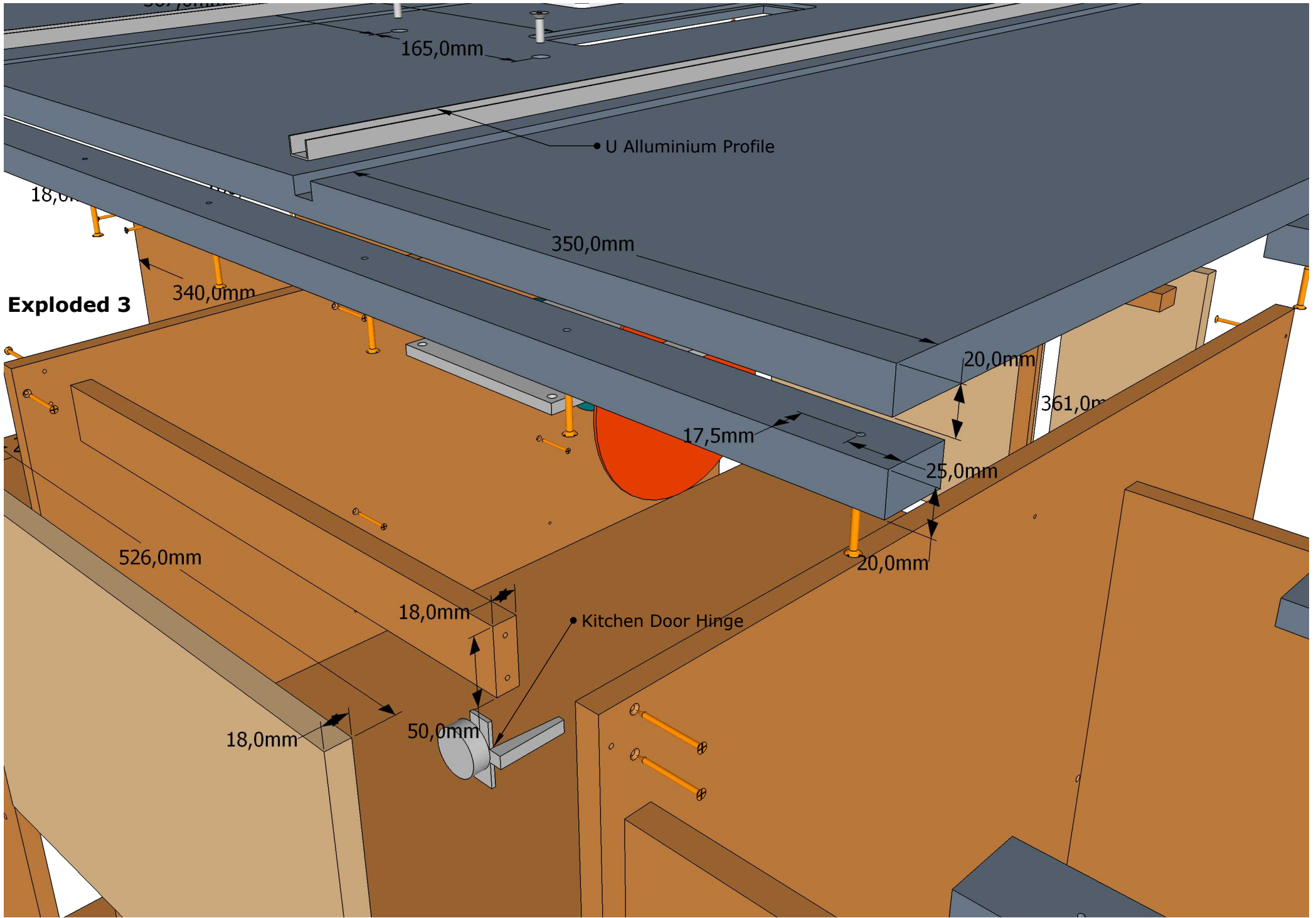


**Exploded 1**

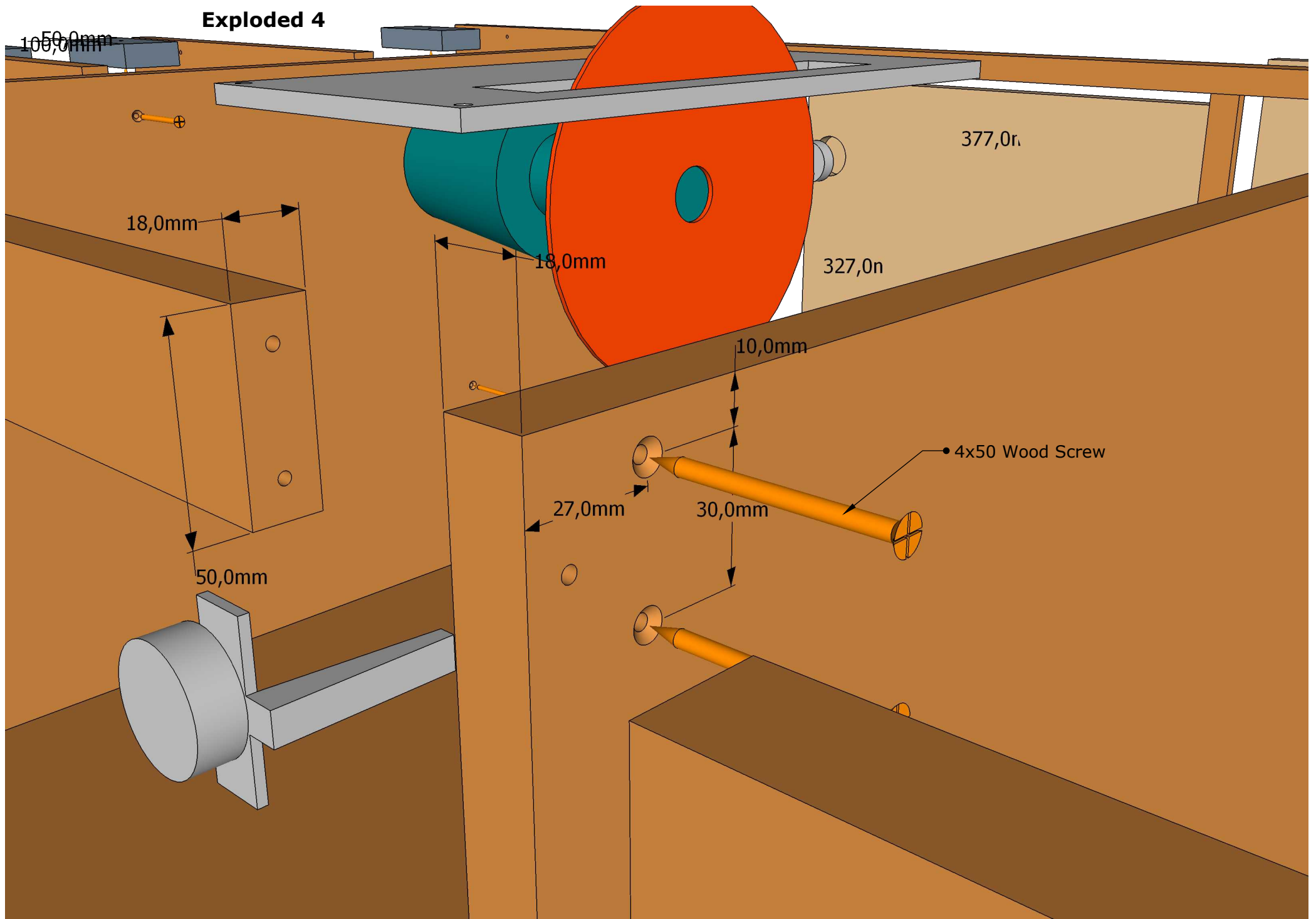


# Exploded 2

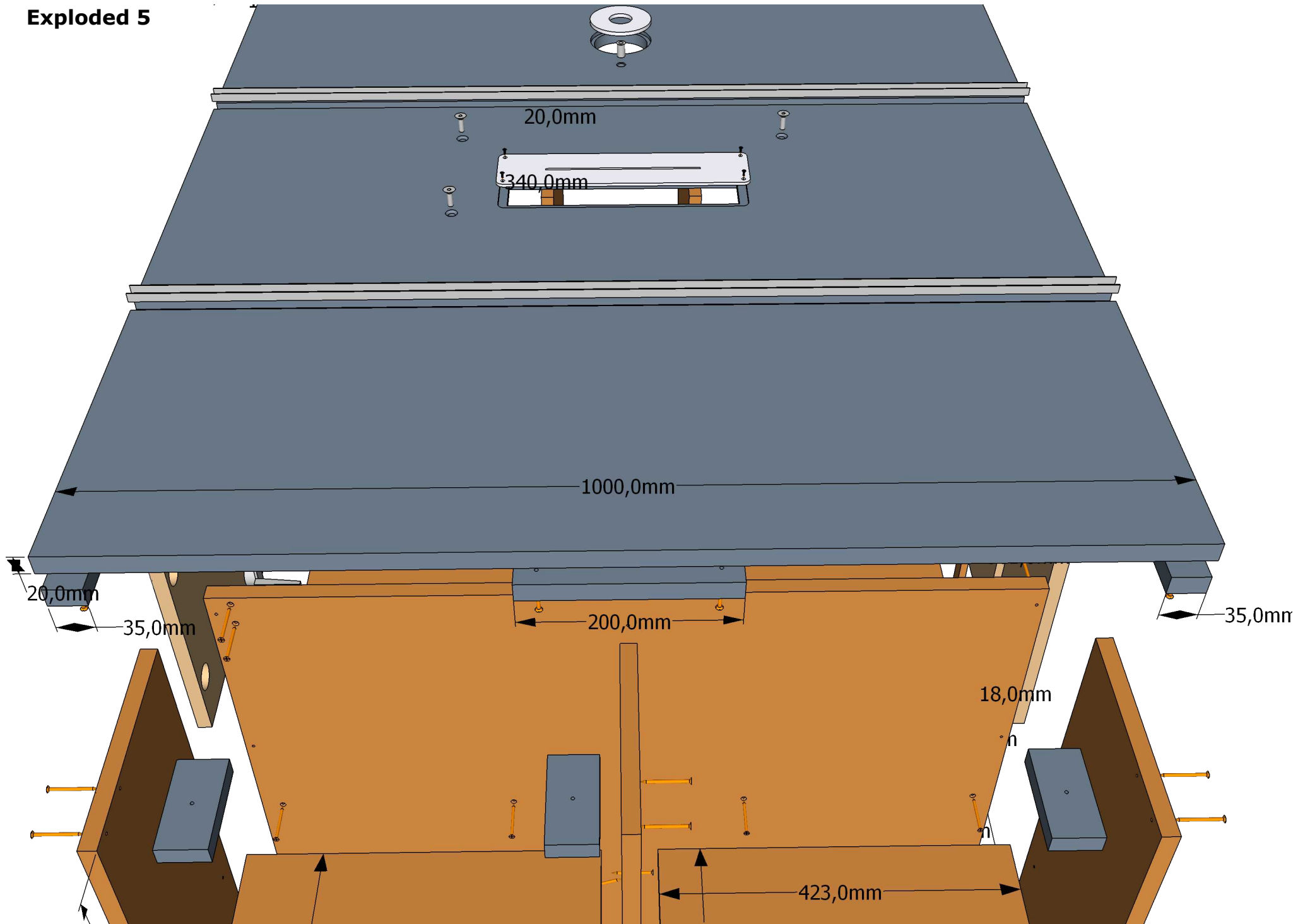




# Exploded 4

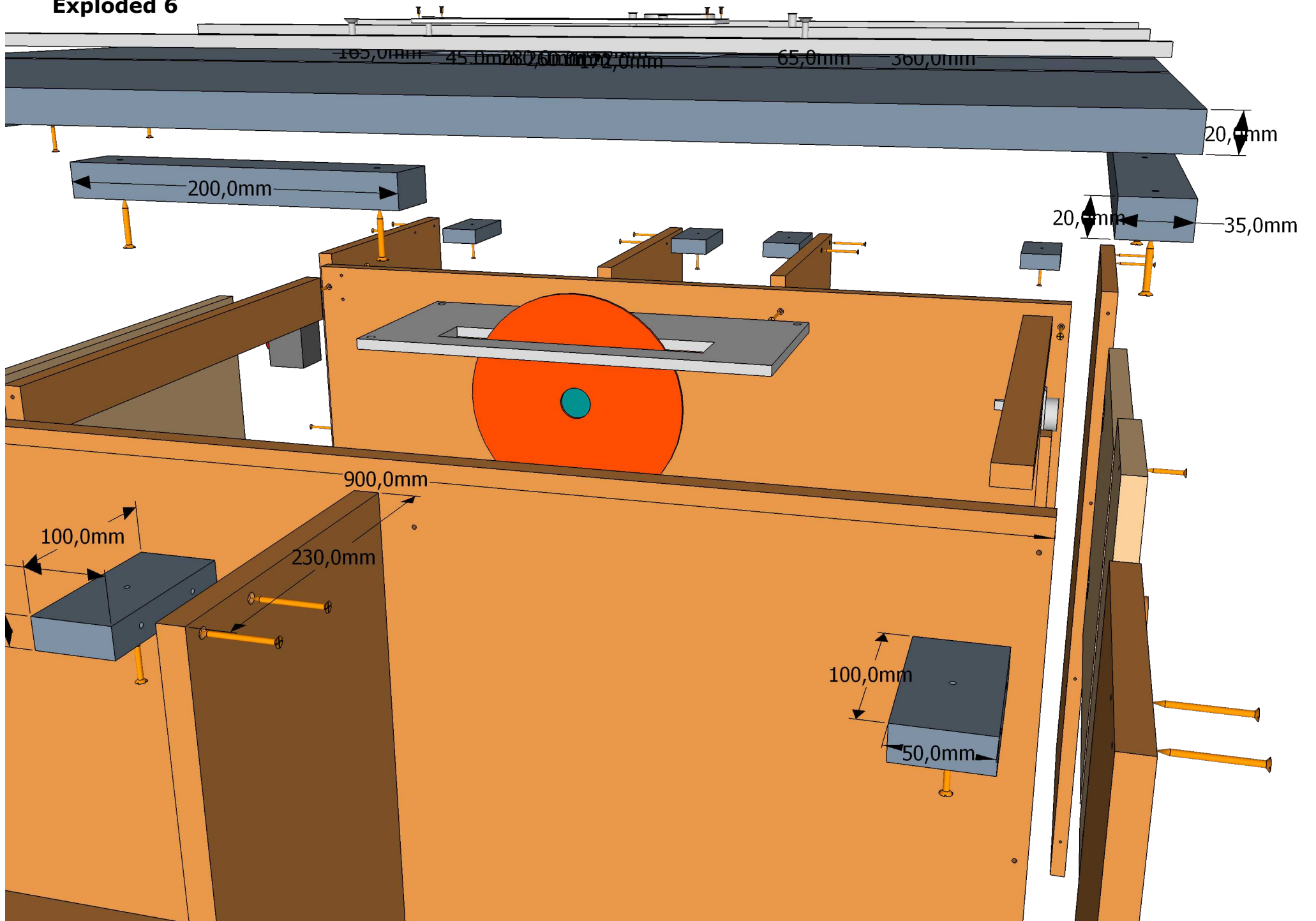


# Exploded 5



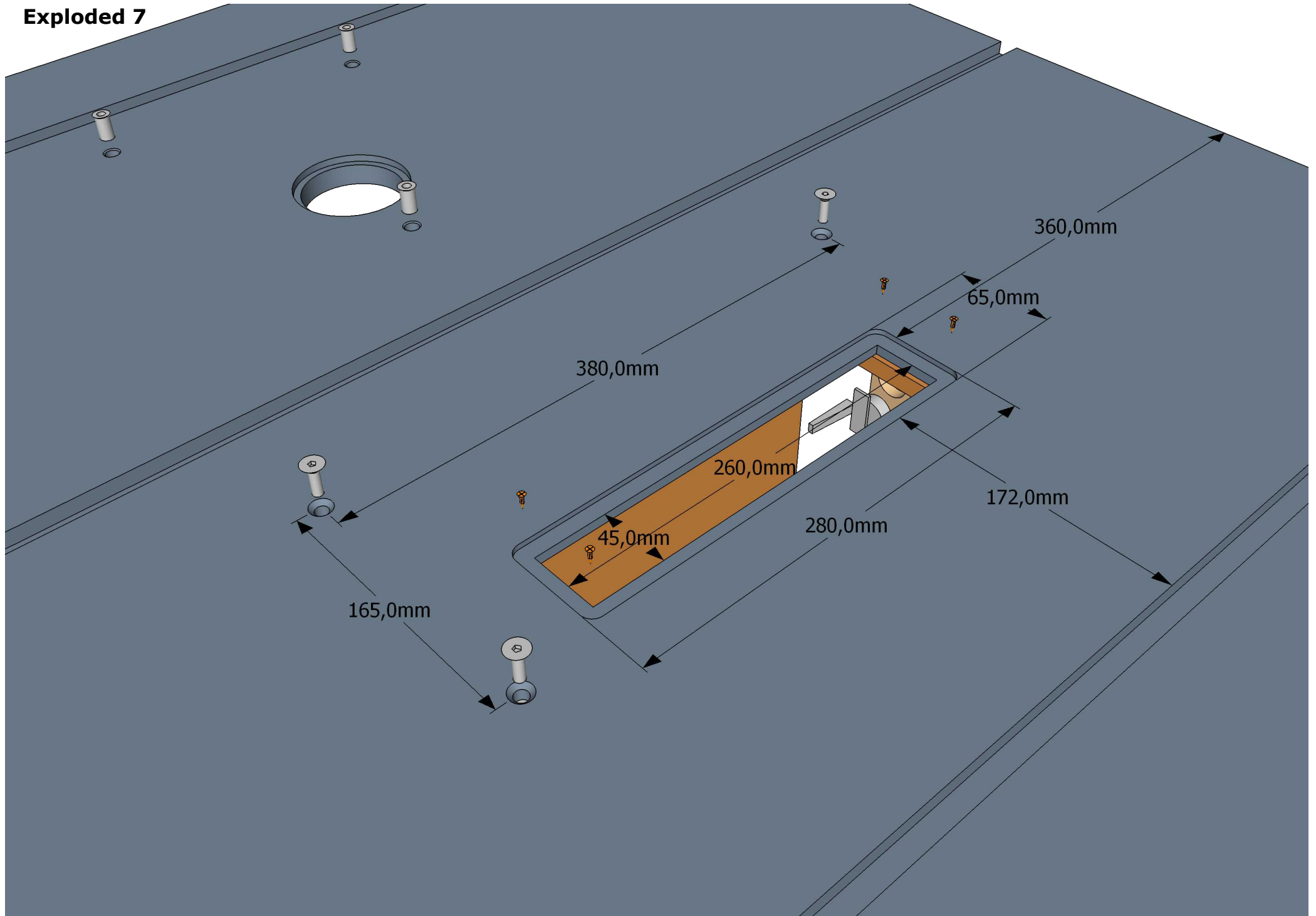


# Exploded 6

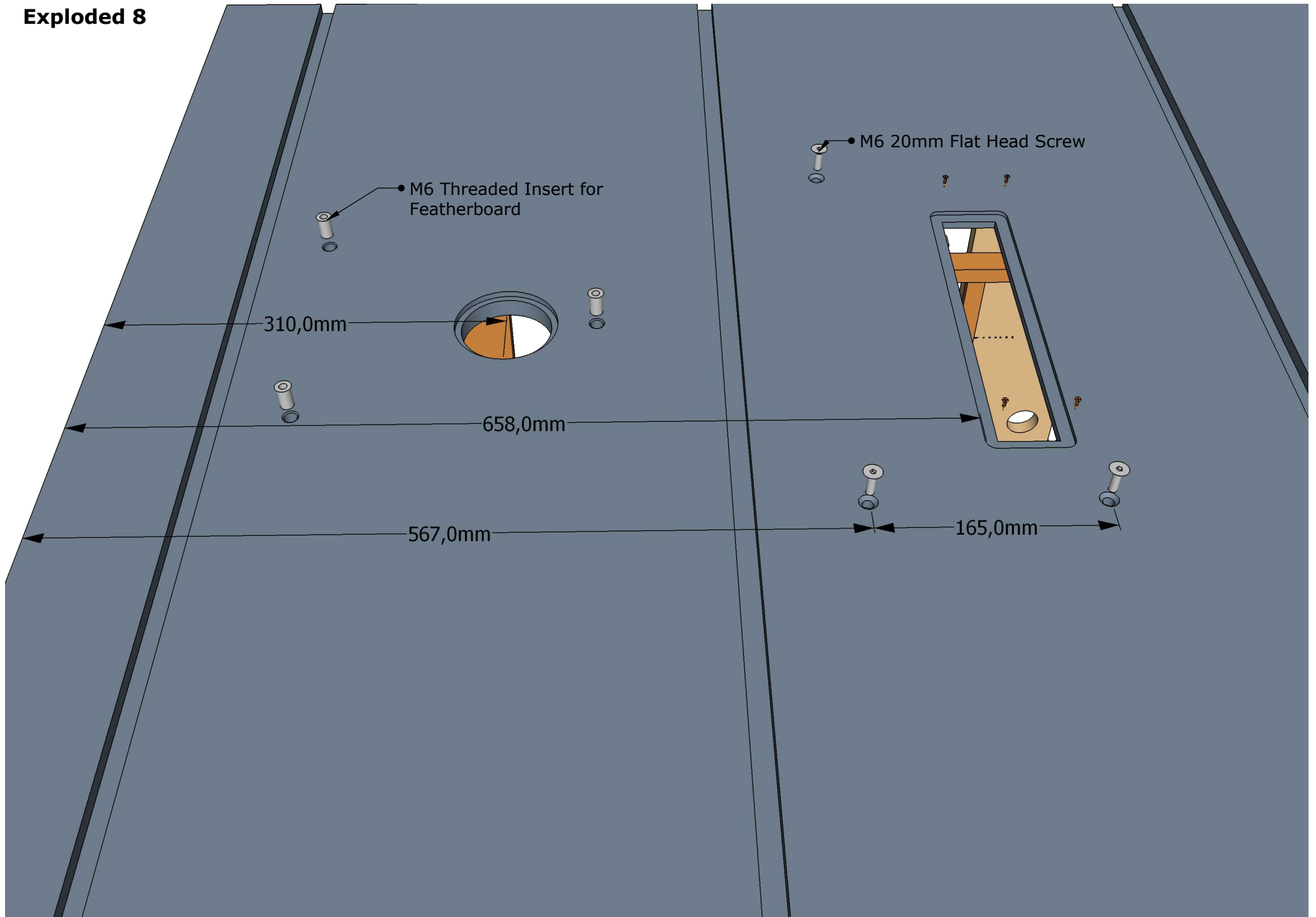




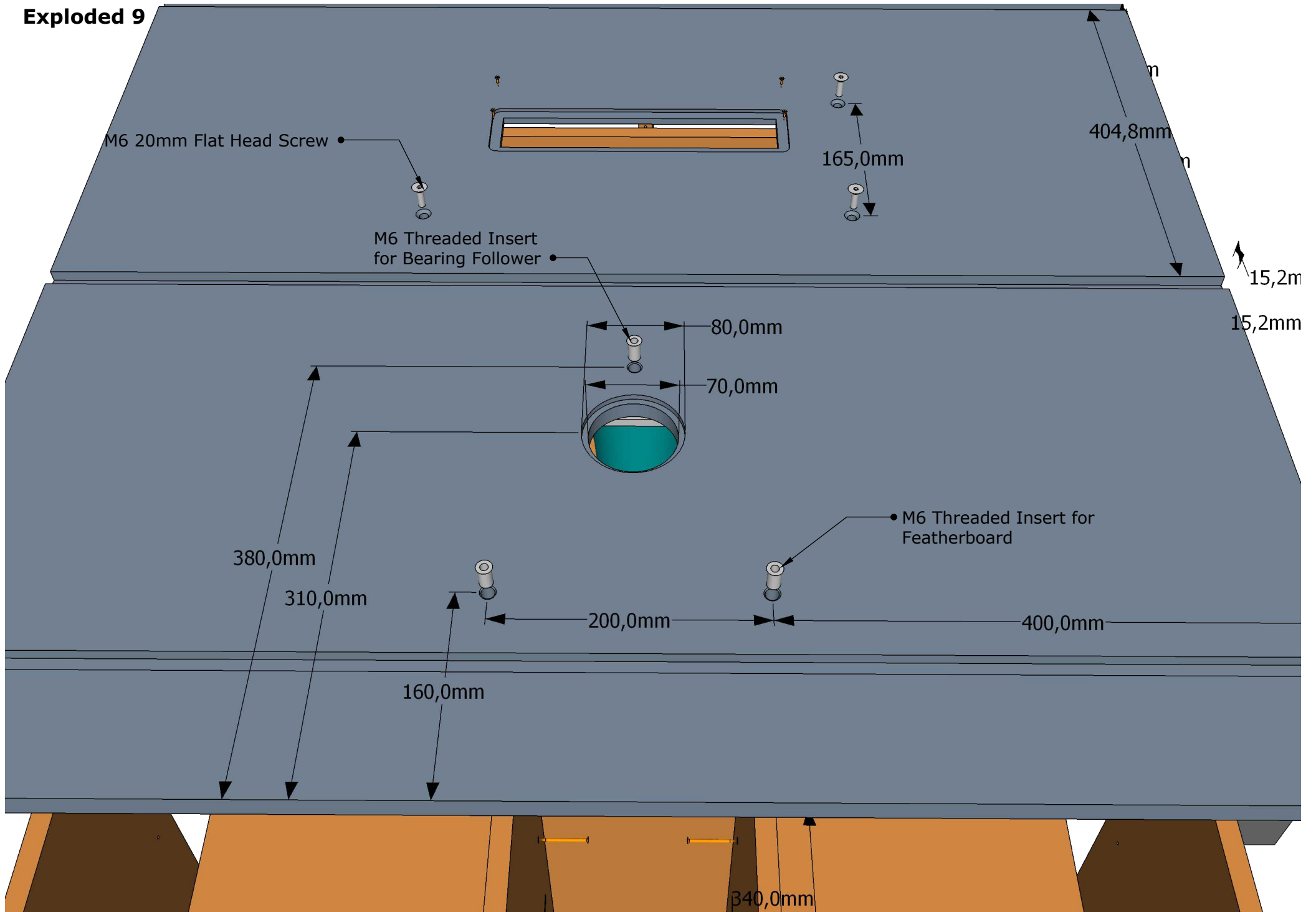
# Exploded 7



# Exploded 8

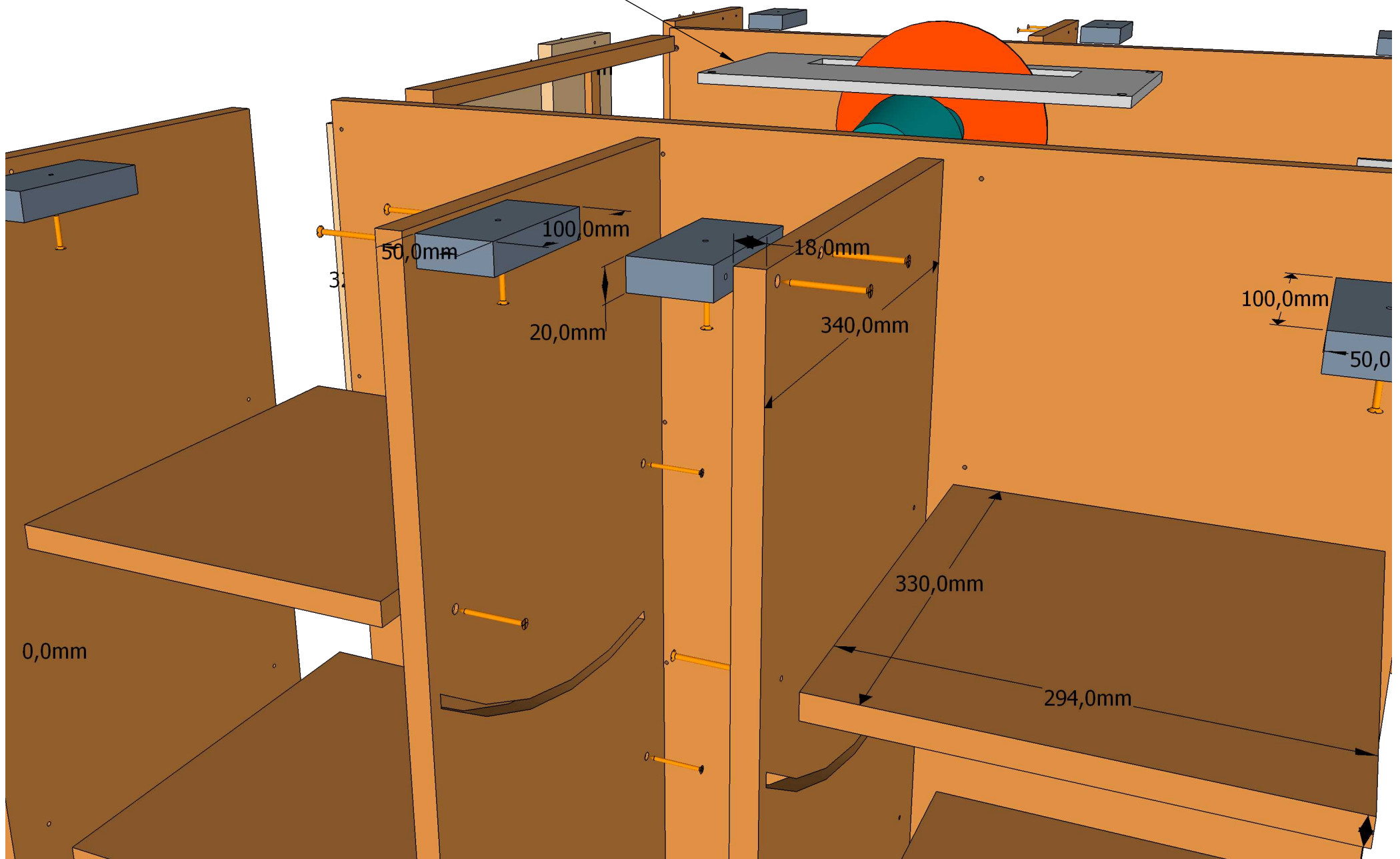


**Exploded 9**



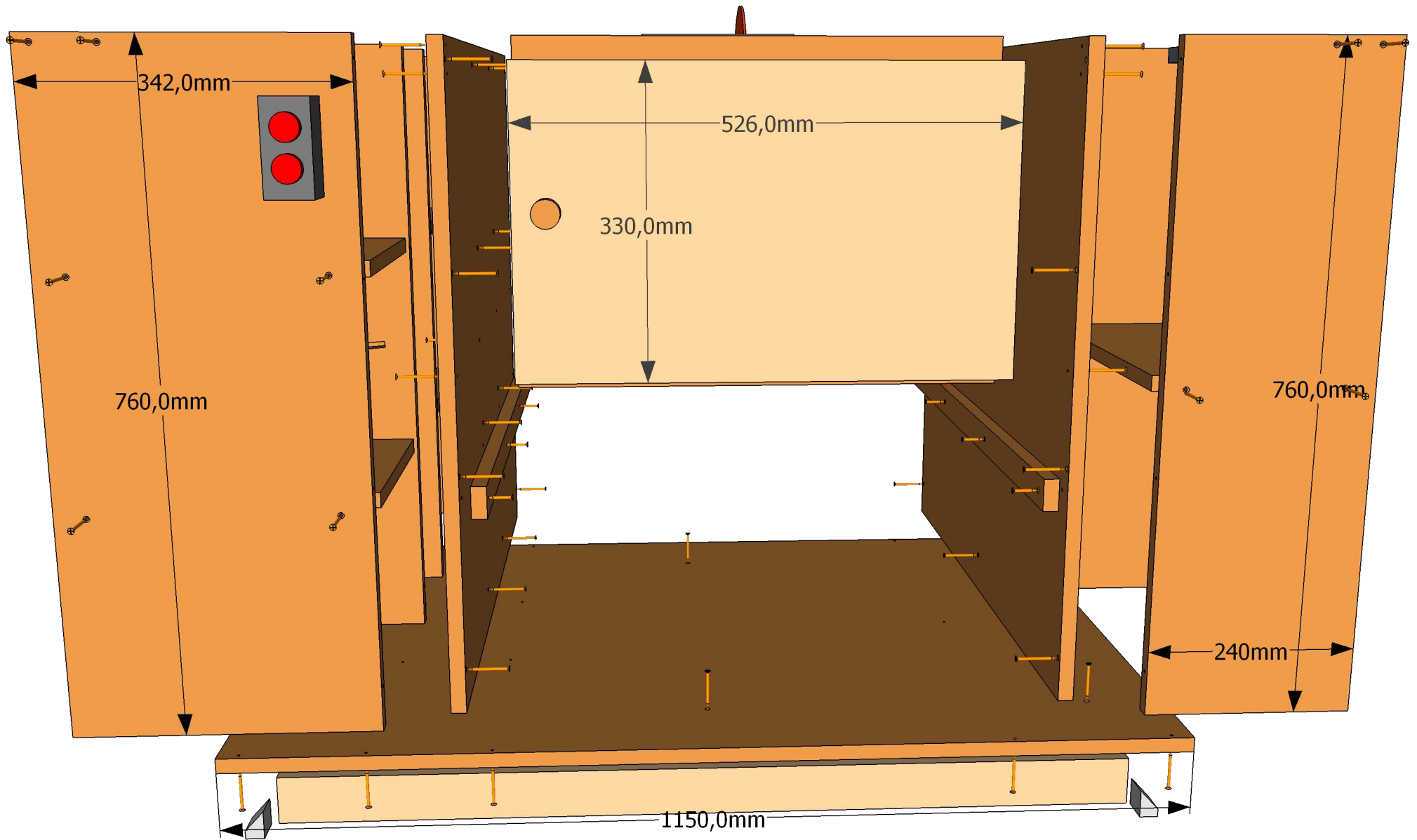
# Exploded 10

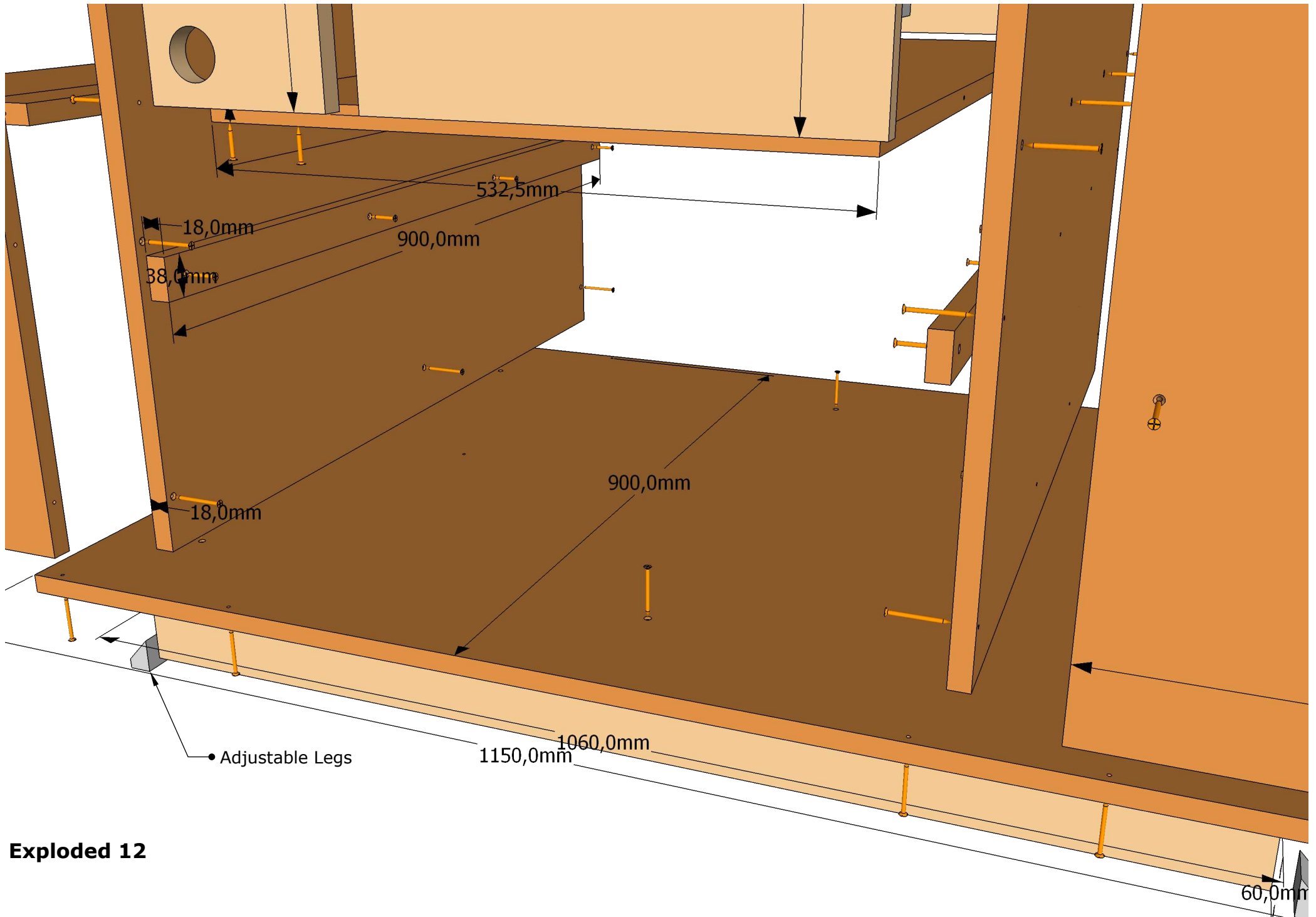
Makita 5903R



# Exploded 11

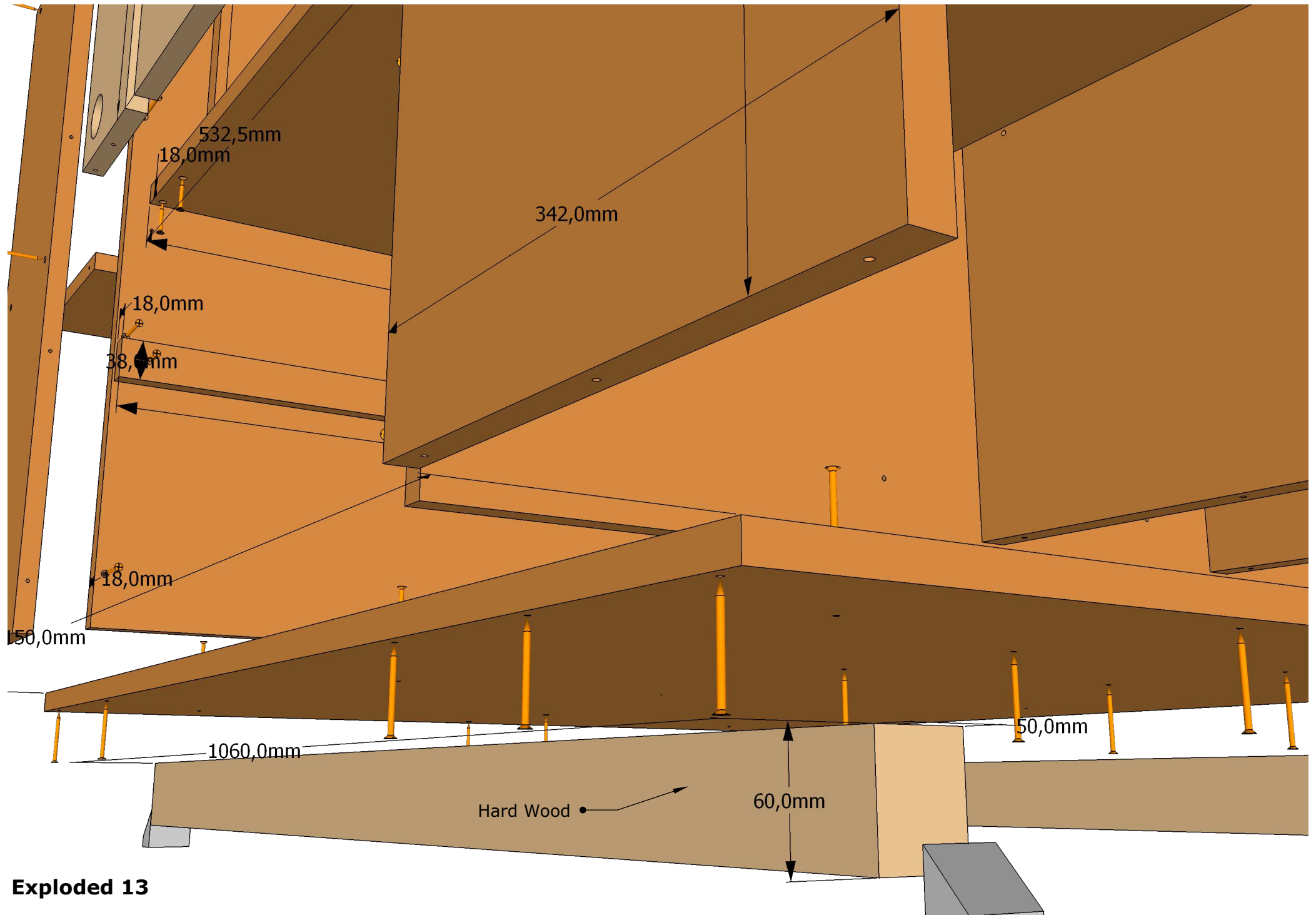
35,0mm

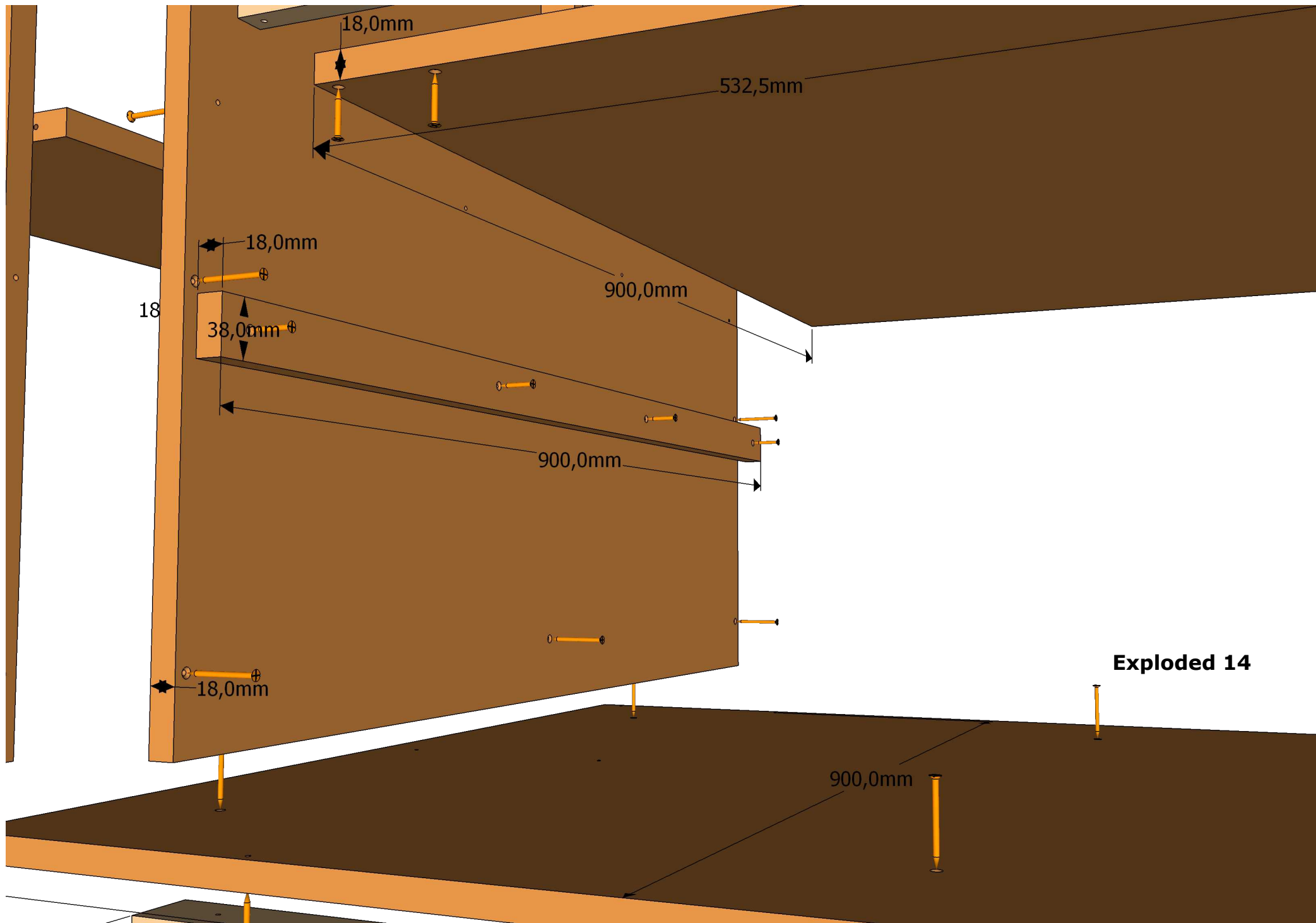




**Exploded 12**



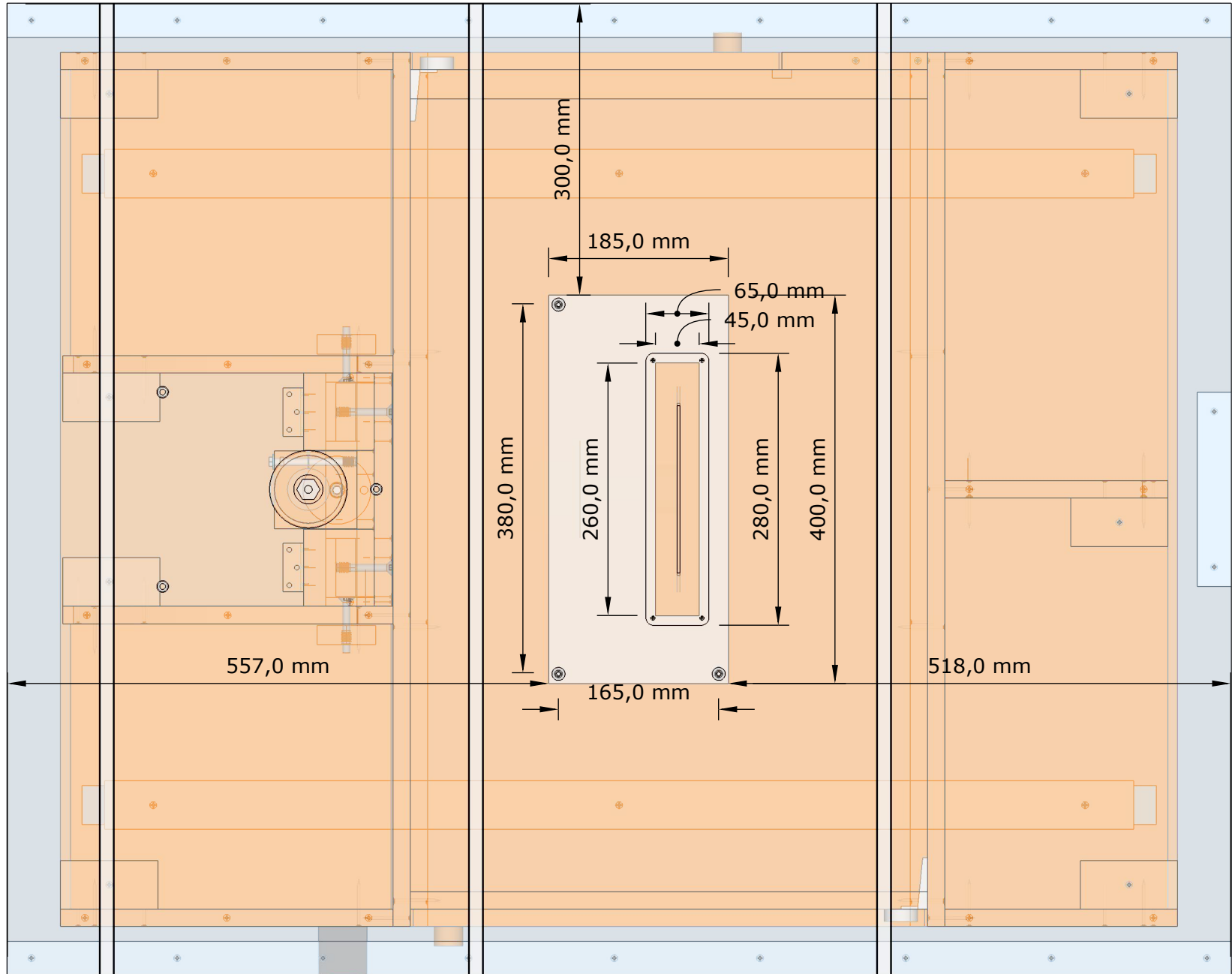


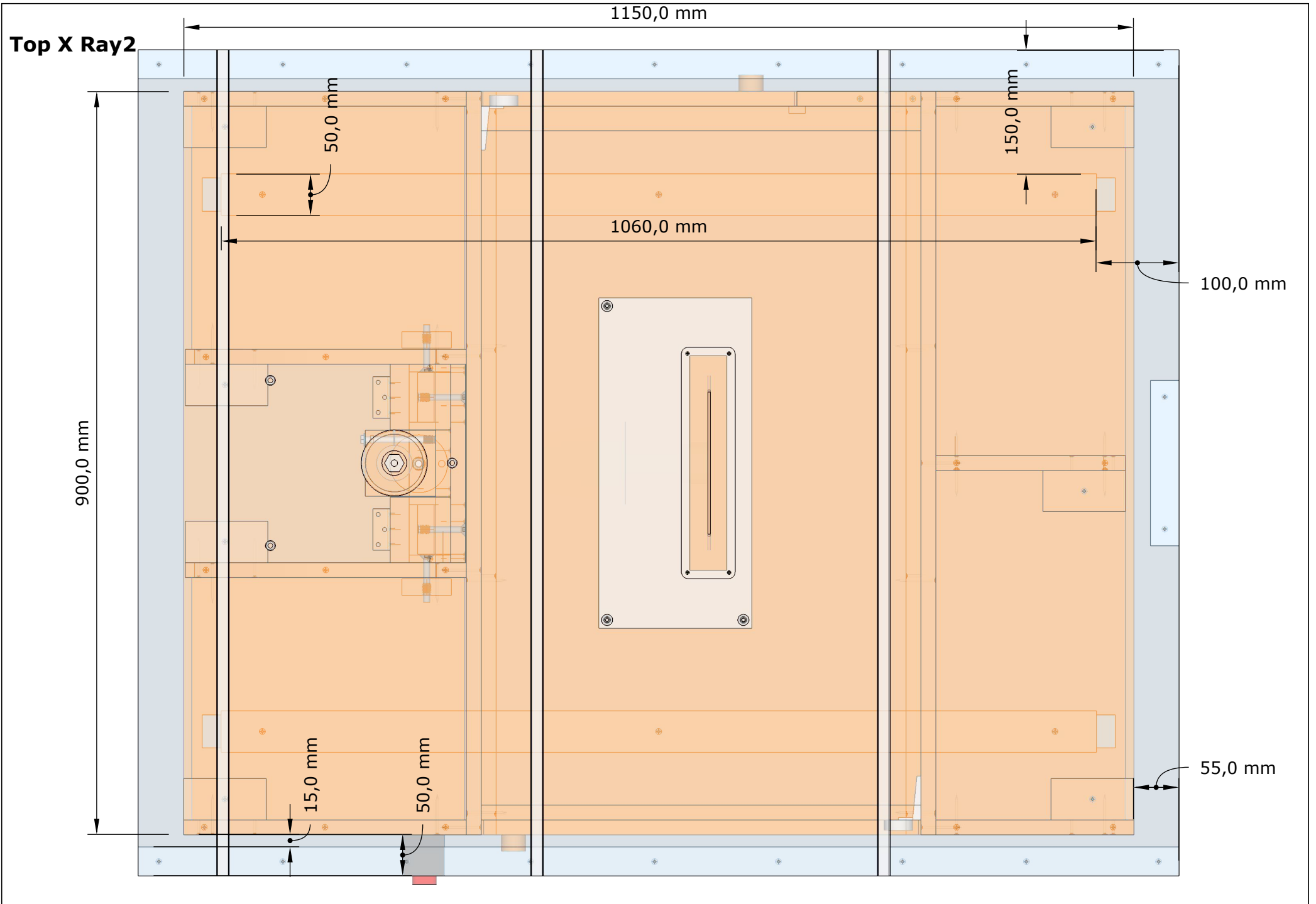




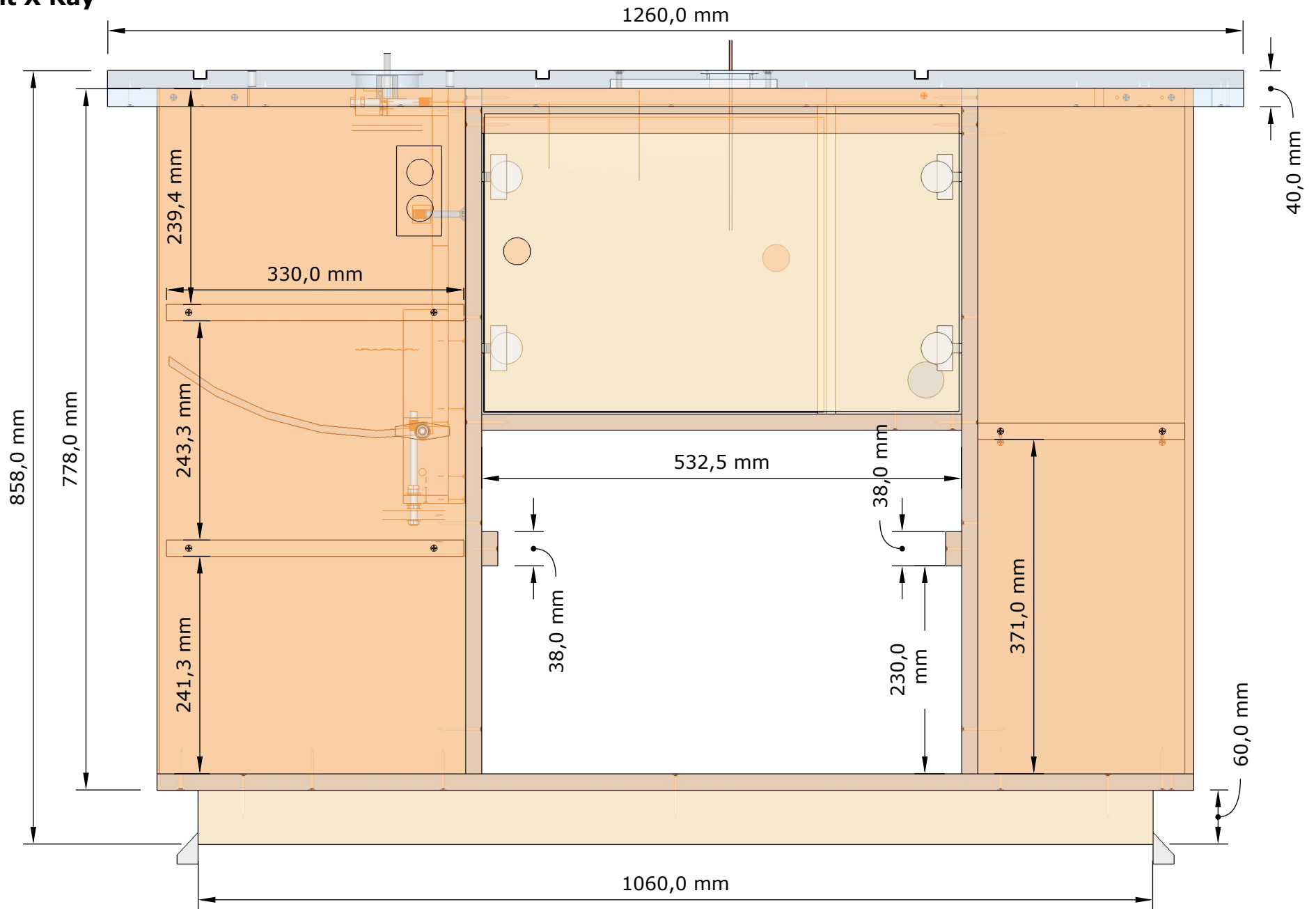


# Top X Ray

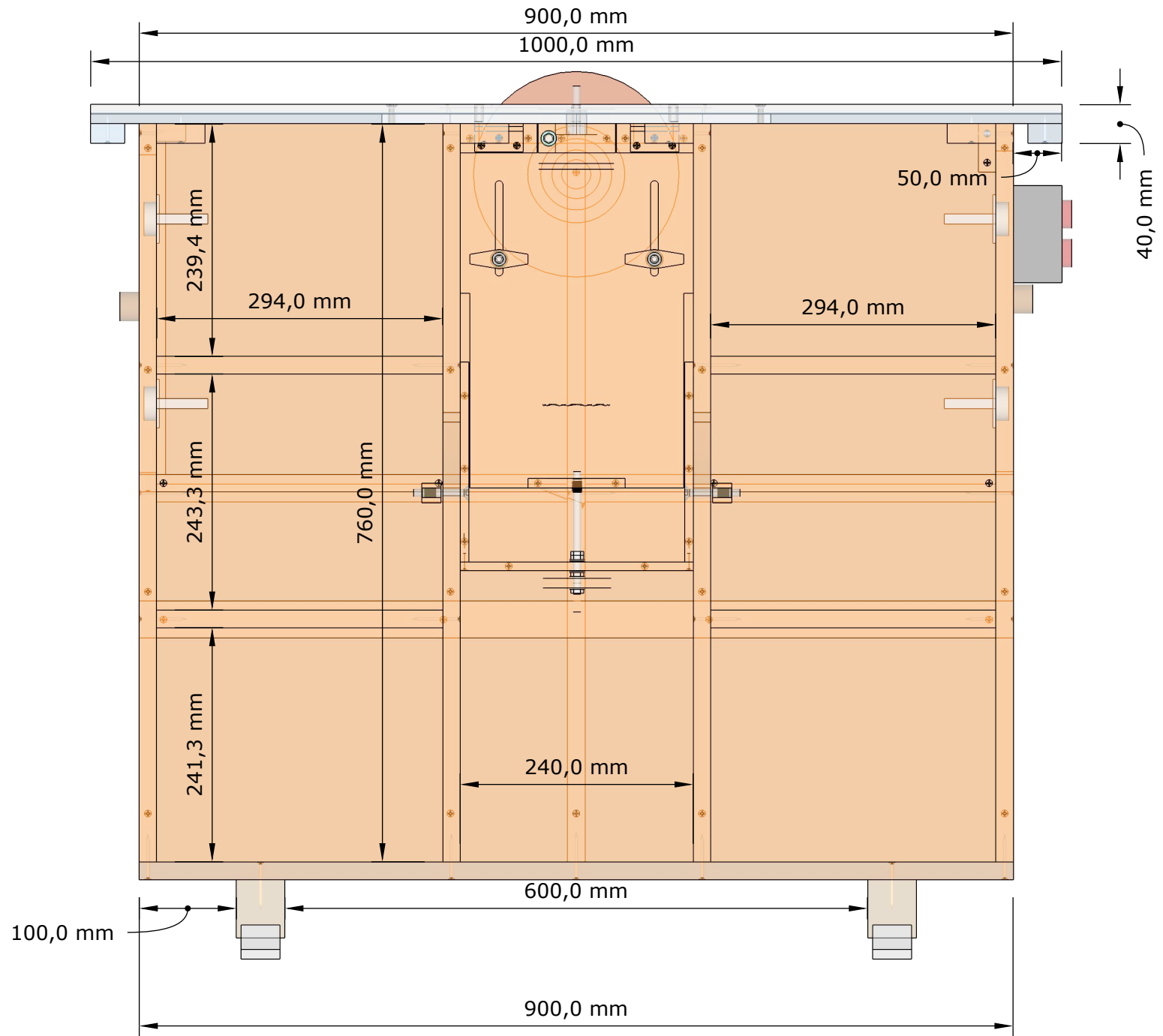




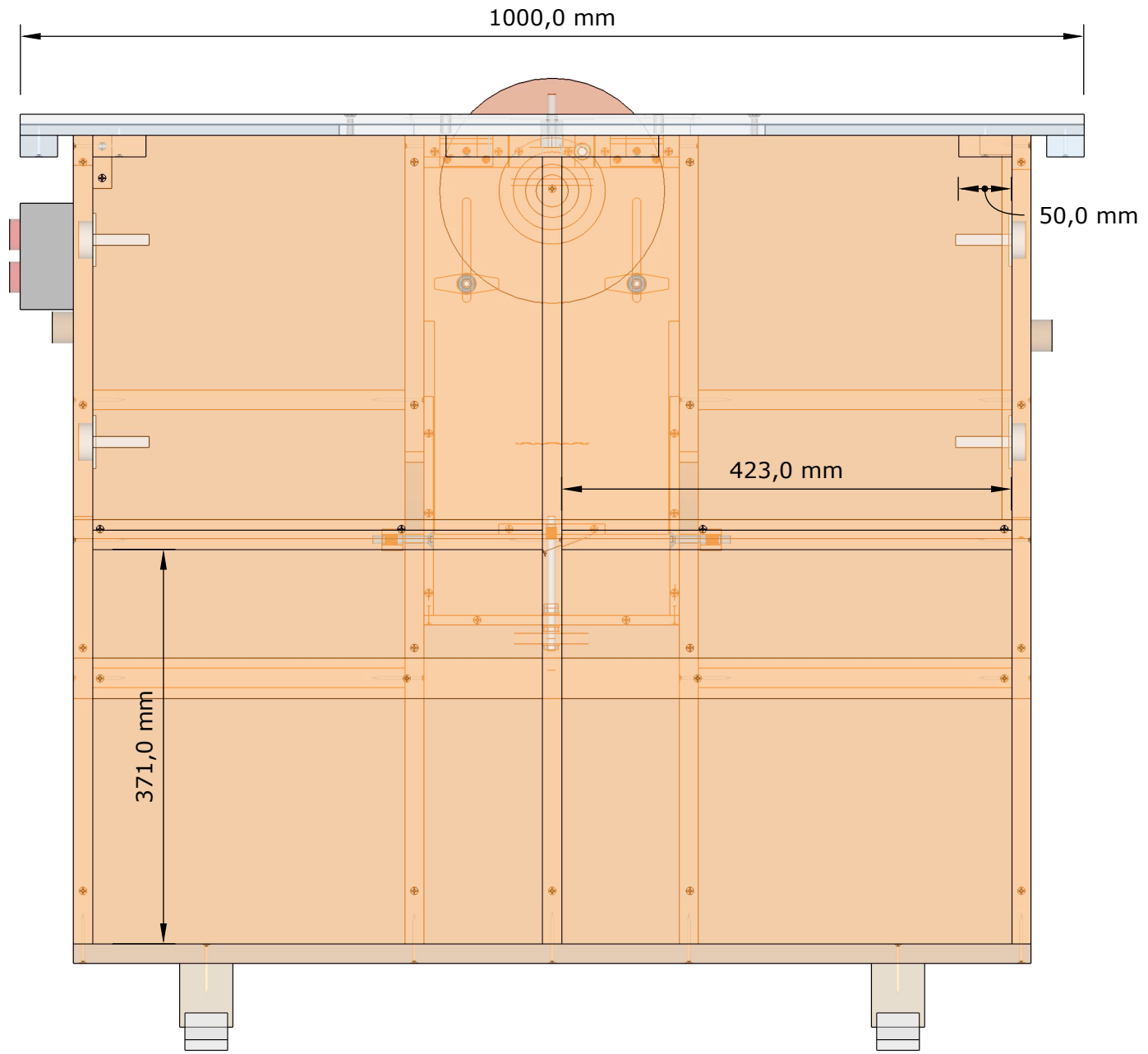
Front X Ray



**Left X Ray**

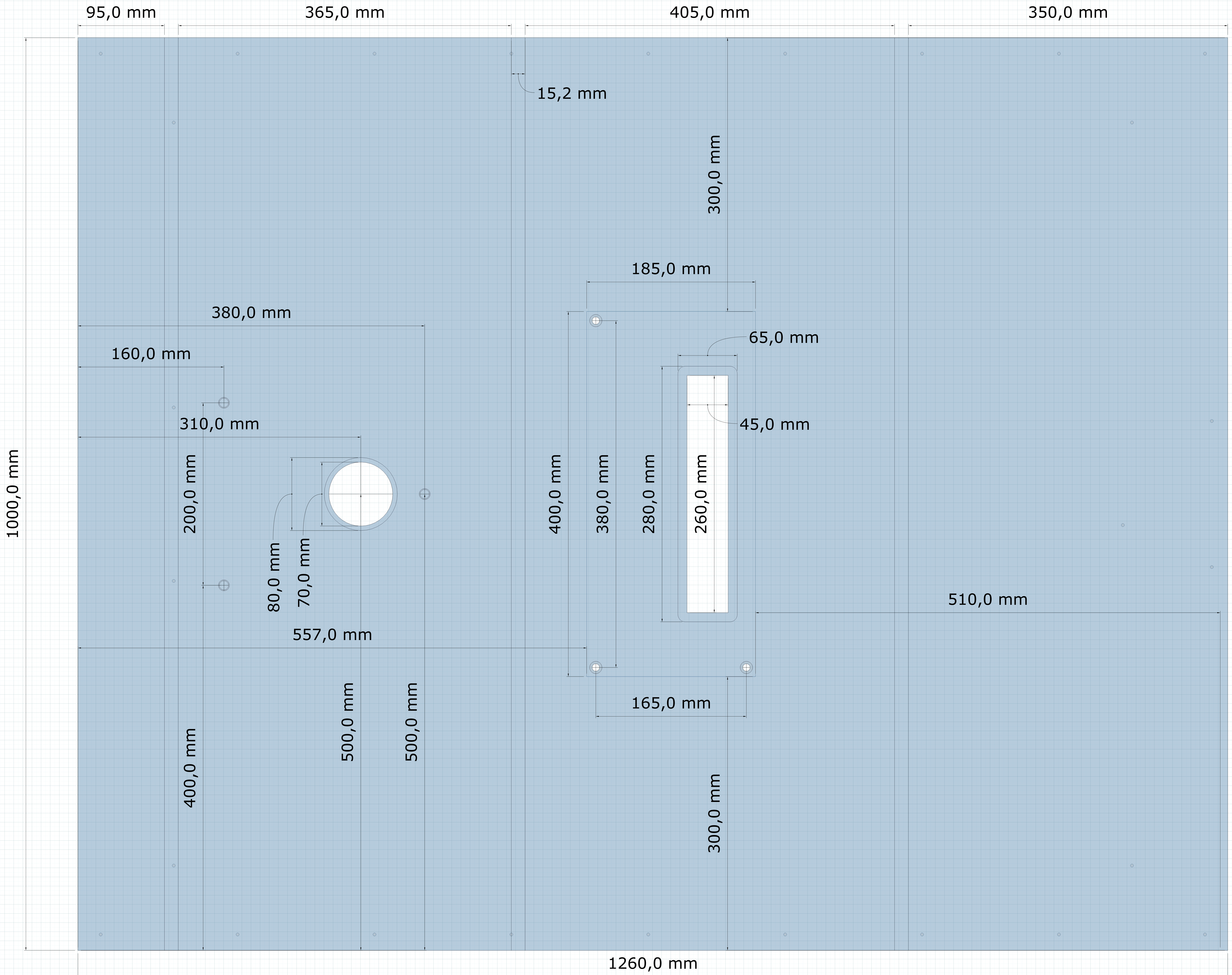


**Right X Ray**





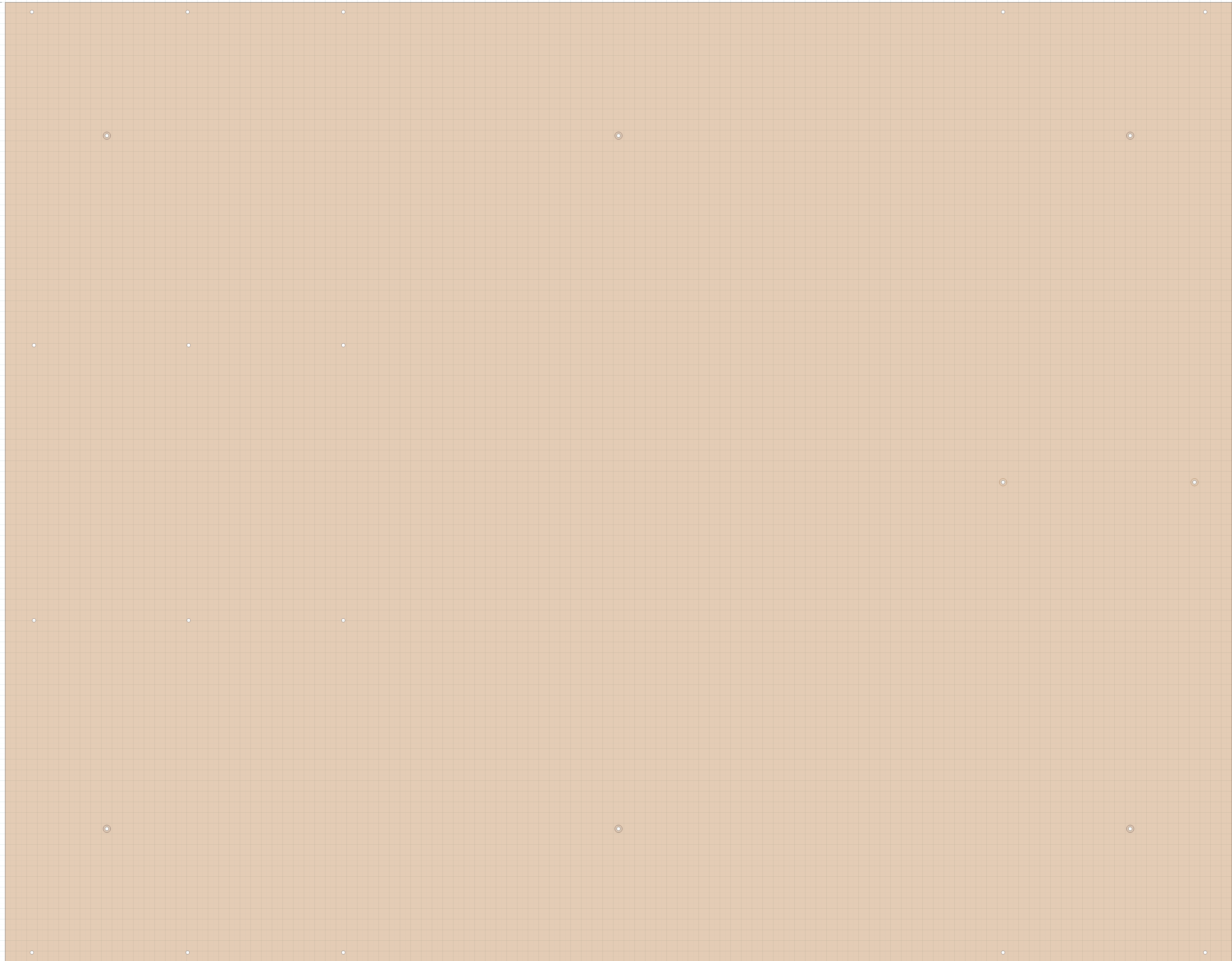
Printable Template Top



Printable Template Base

1150,0 mm

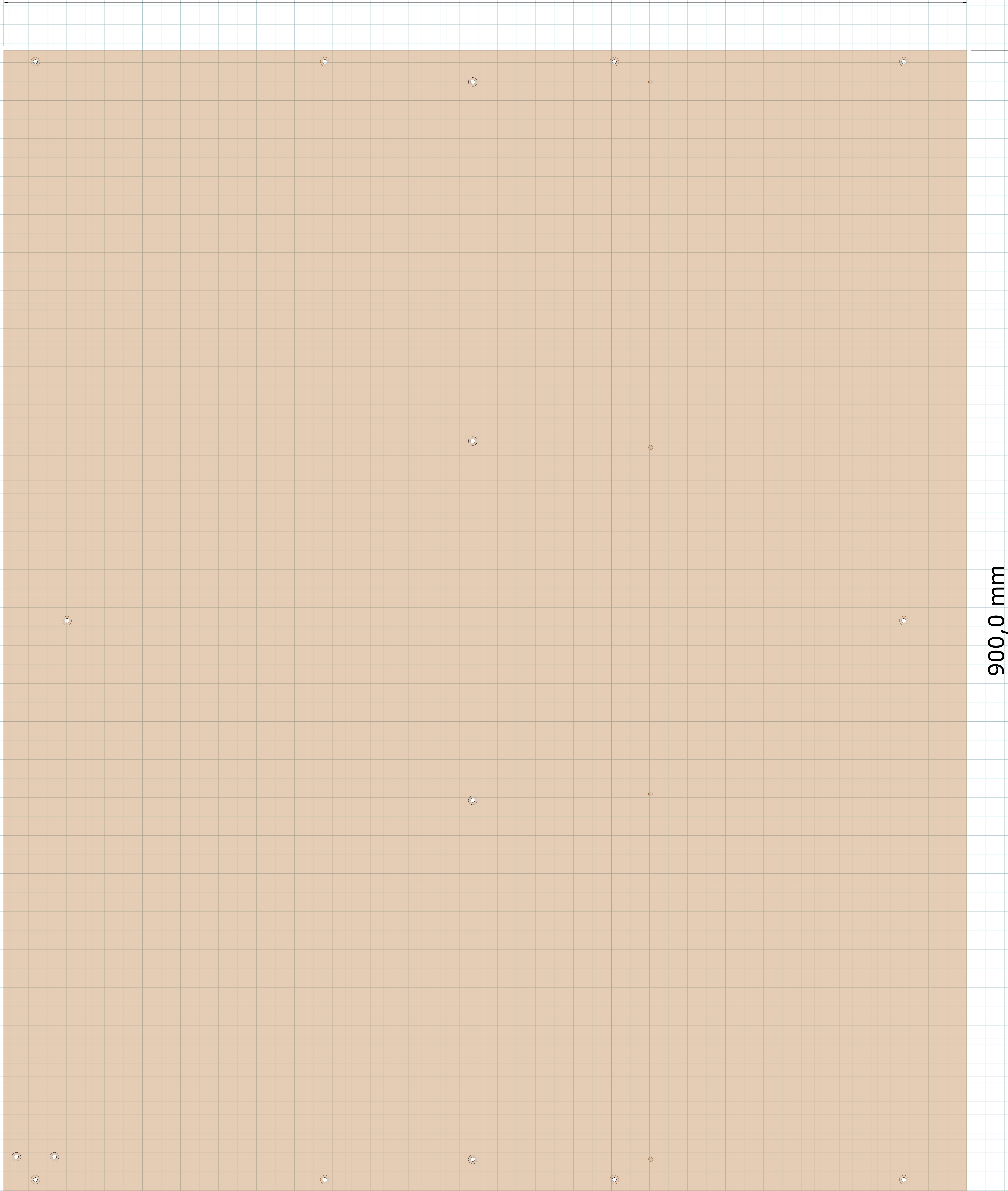
900,0 mm





Printable Template 16 and 4

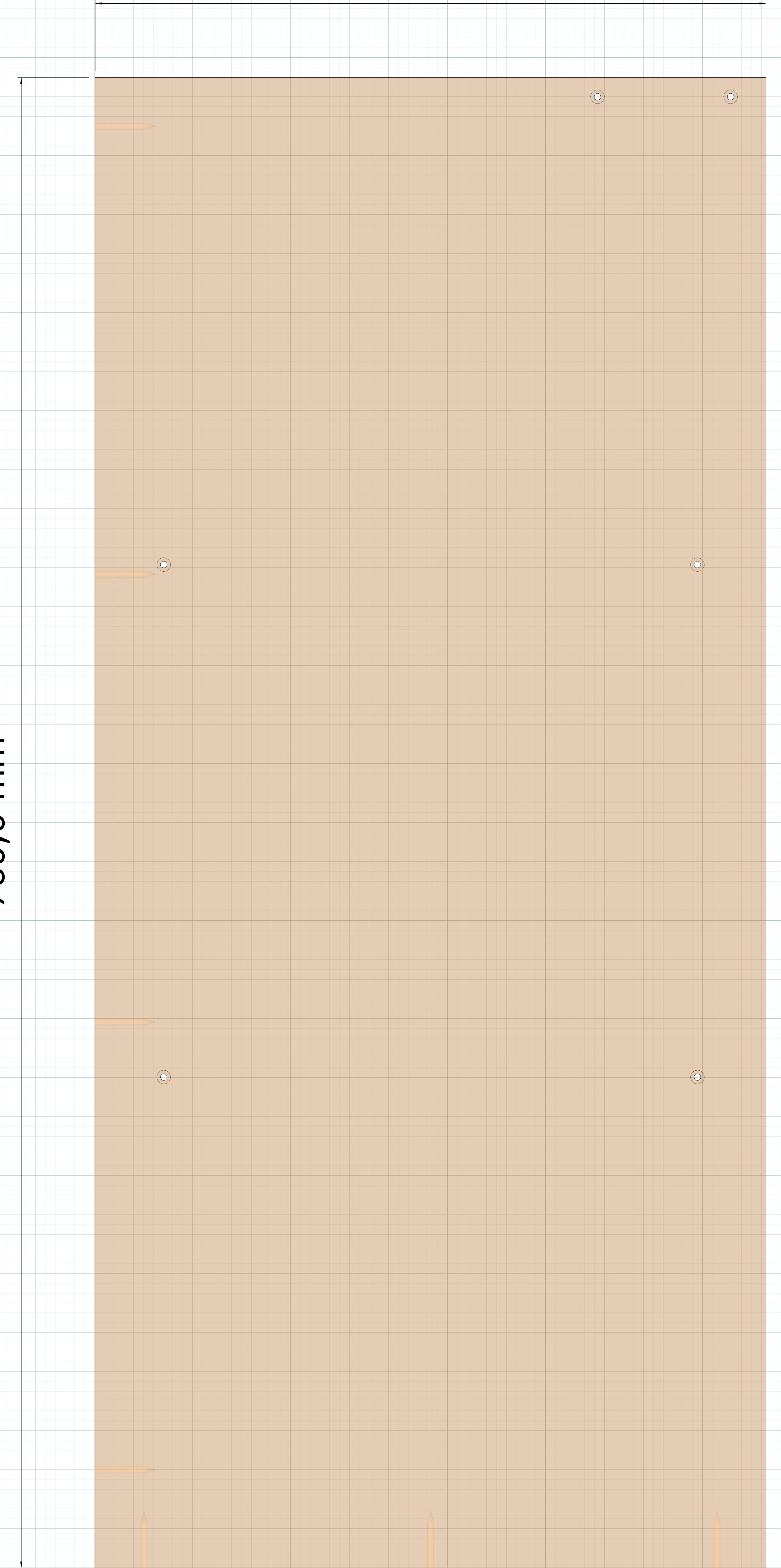
760,0 mm



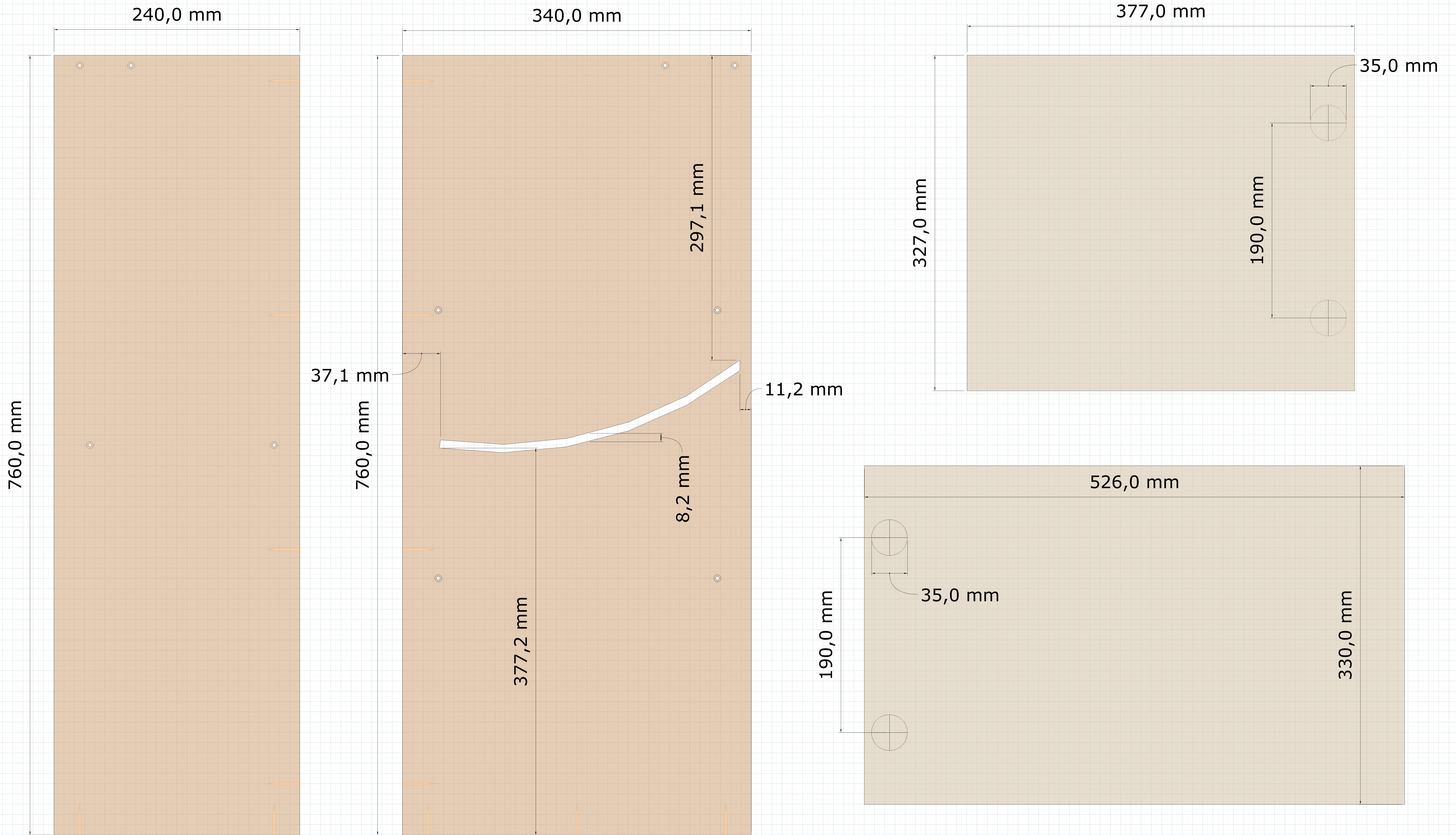
900,0 mm

342,0 mm

760,0 mm

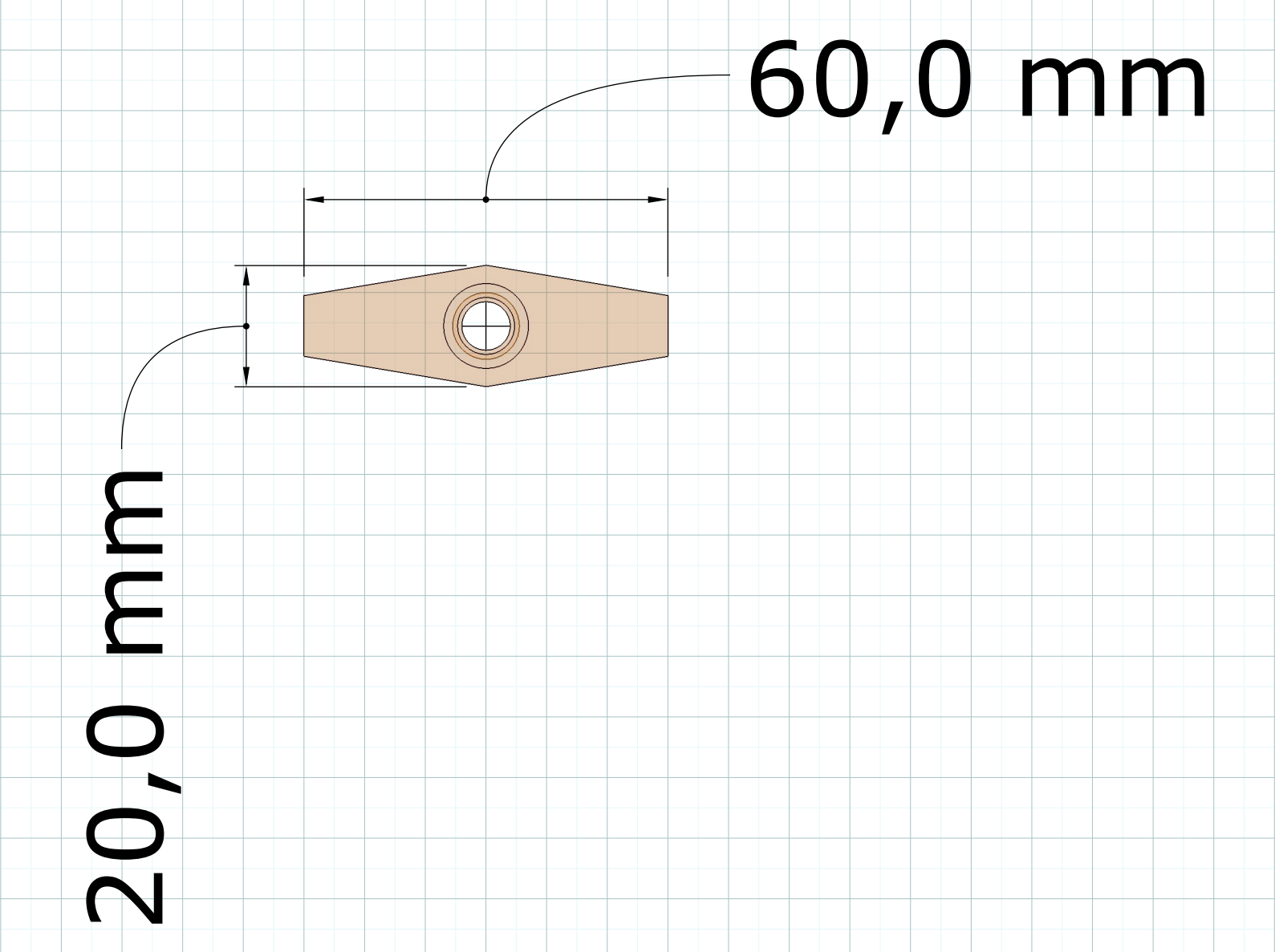
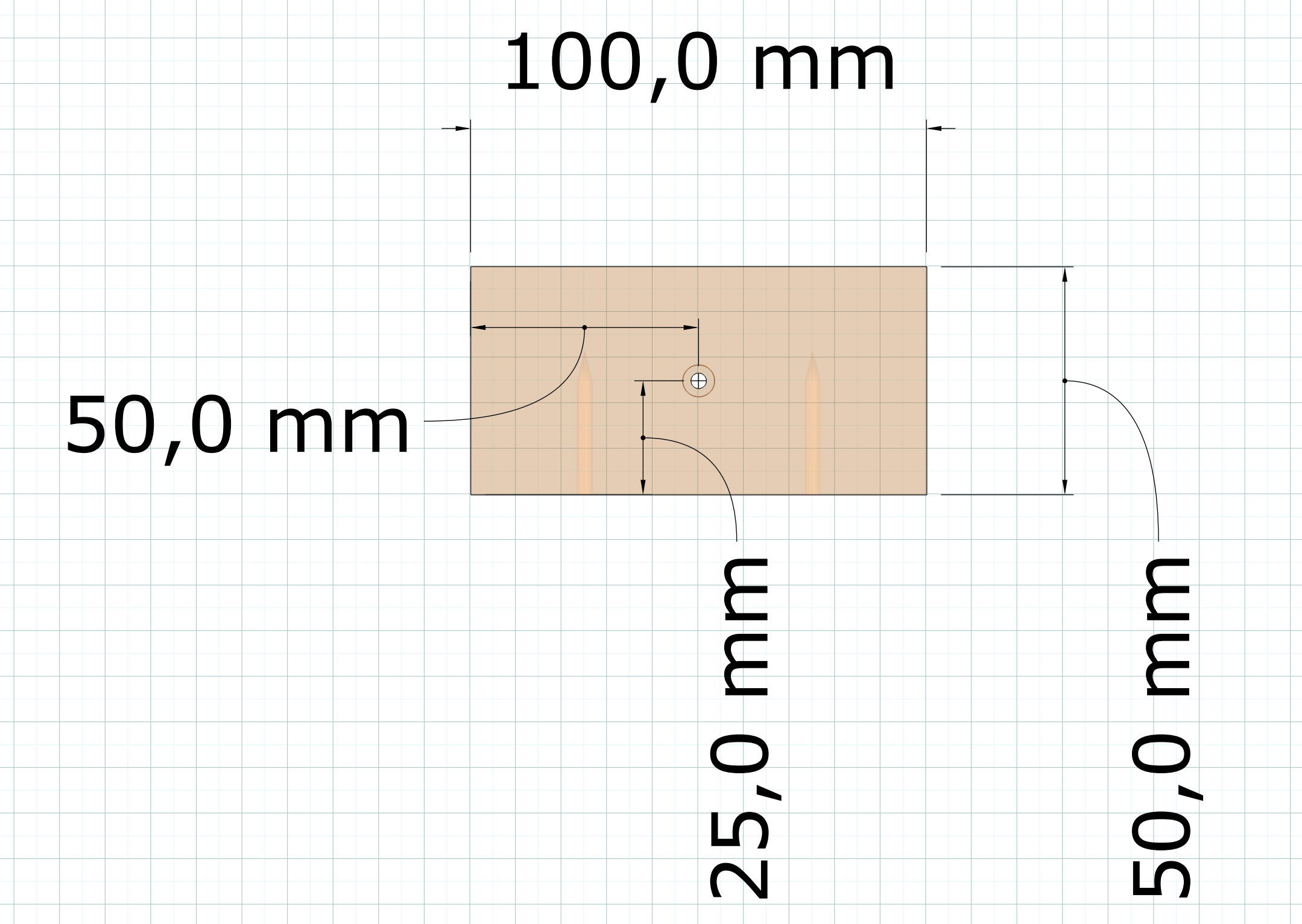
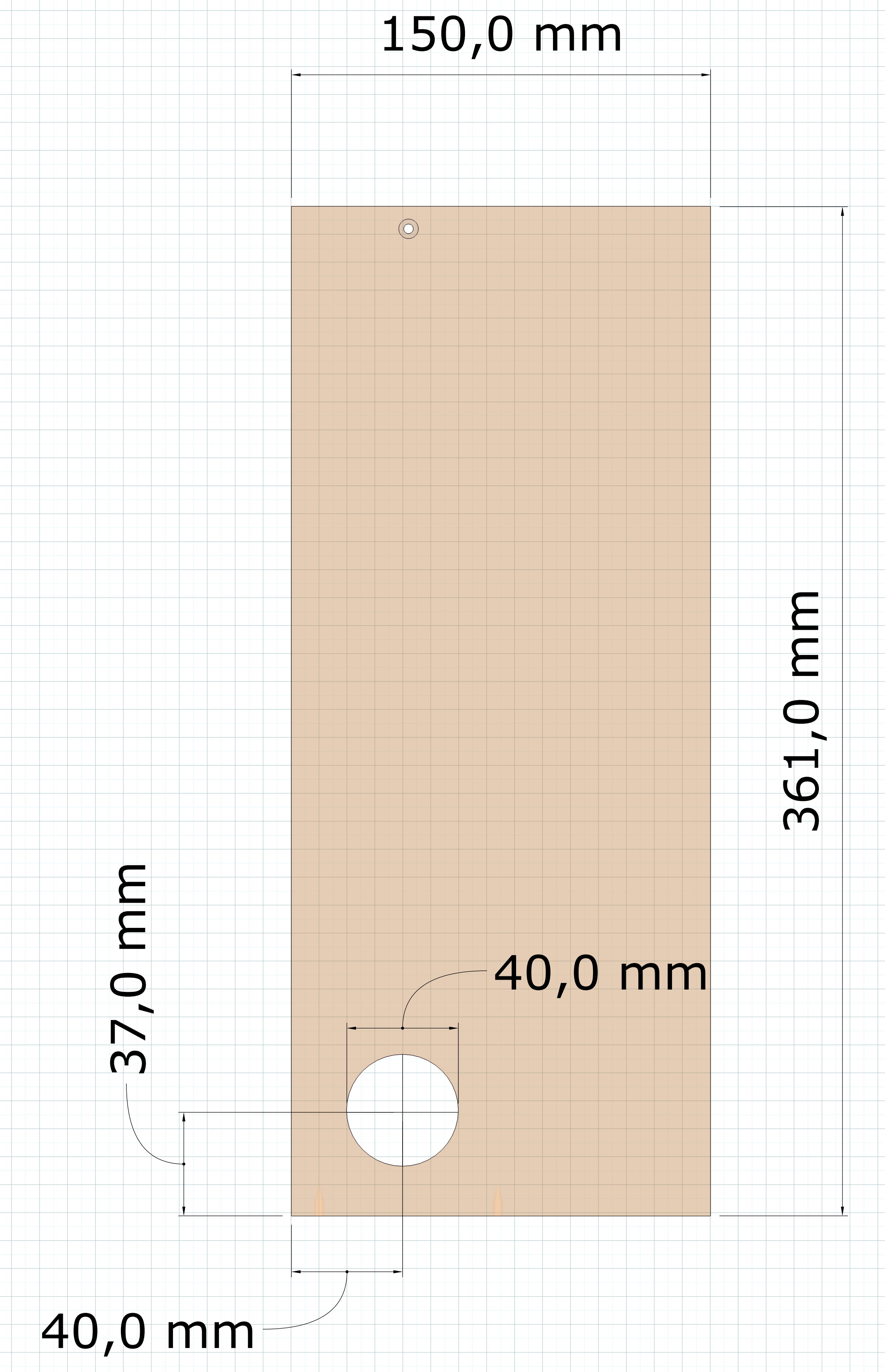
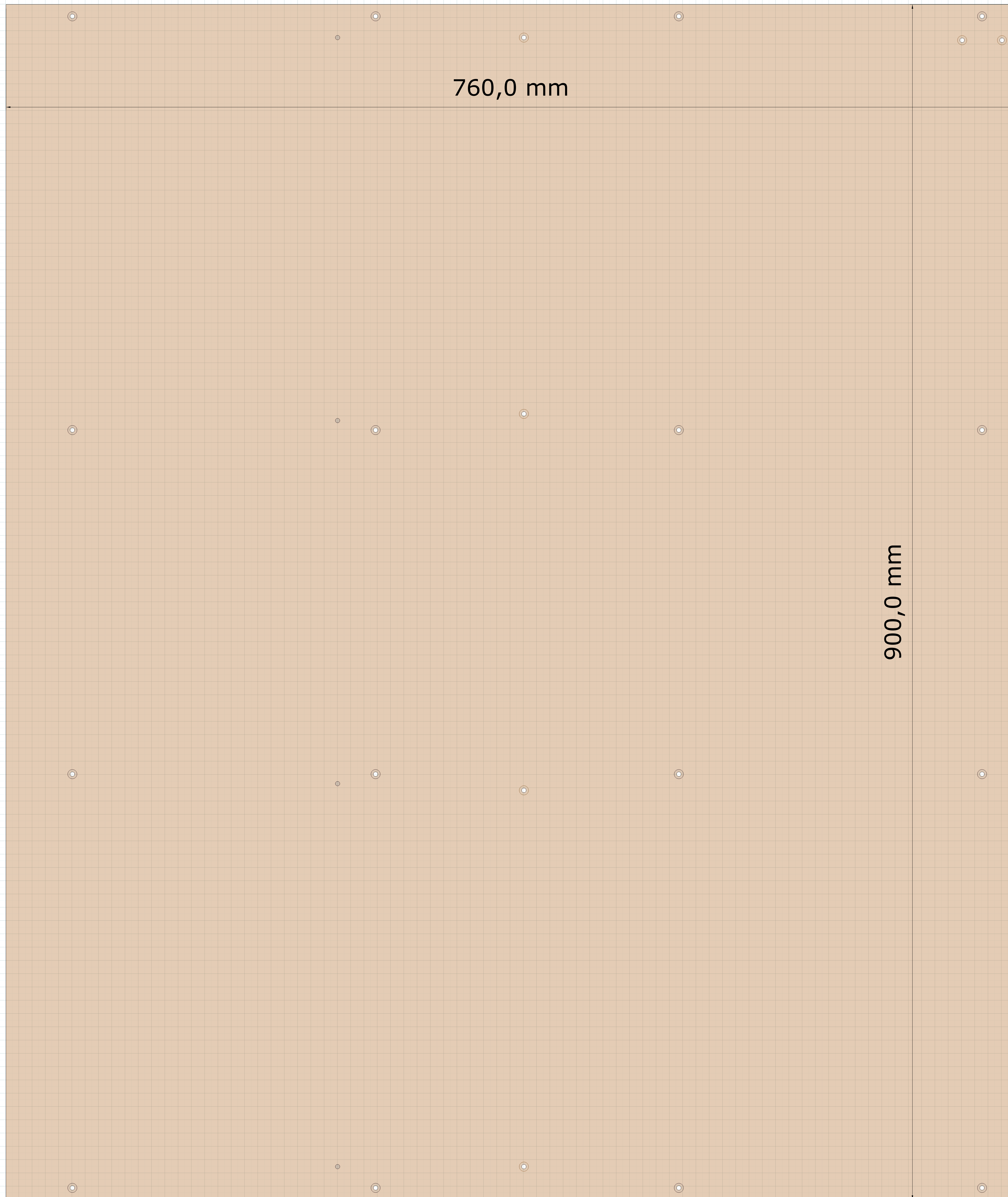


Printable Template 9, 10, 5 and 8

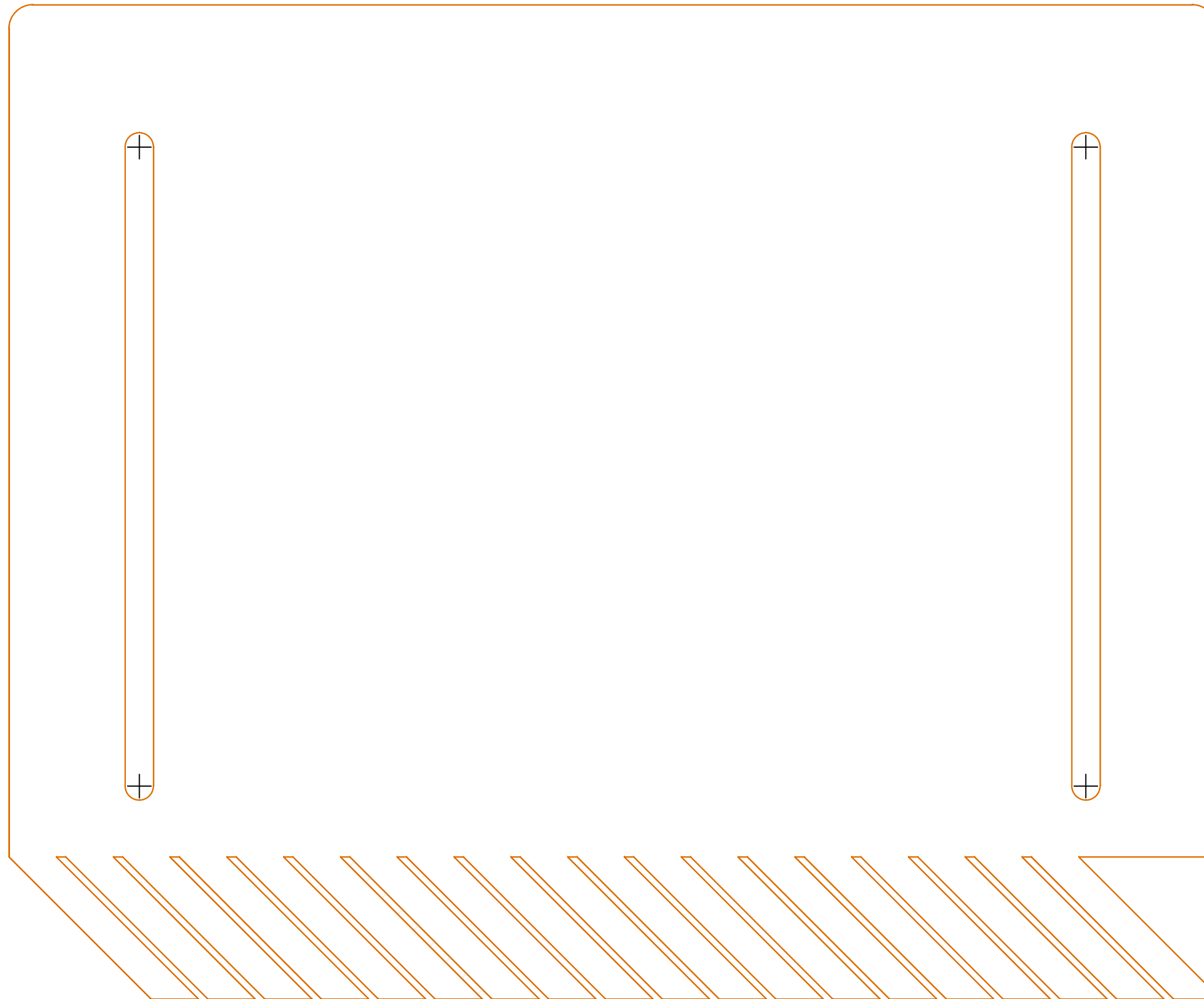




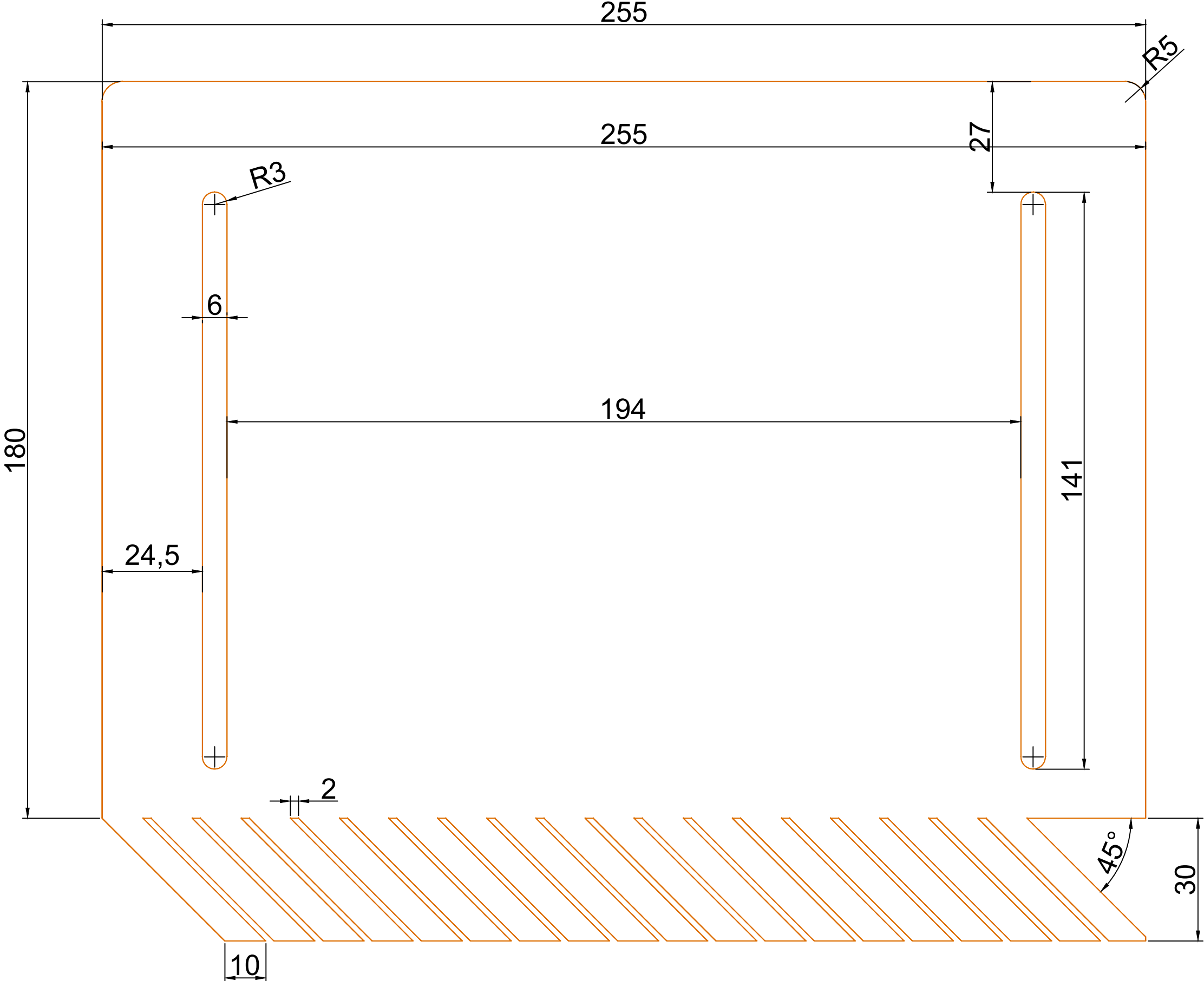
Printable Template 11, 6 and 3



# Featherboard full scale

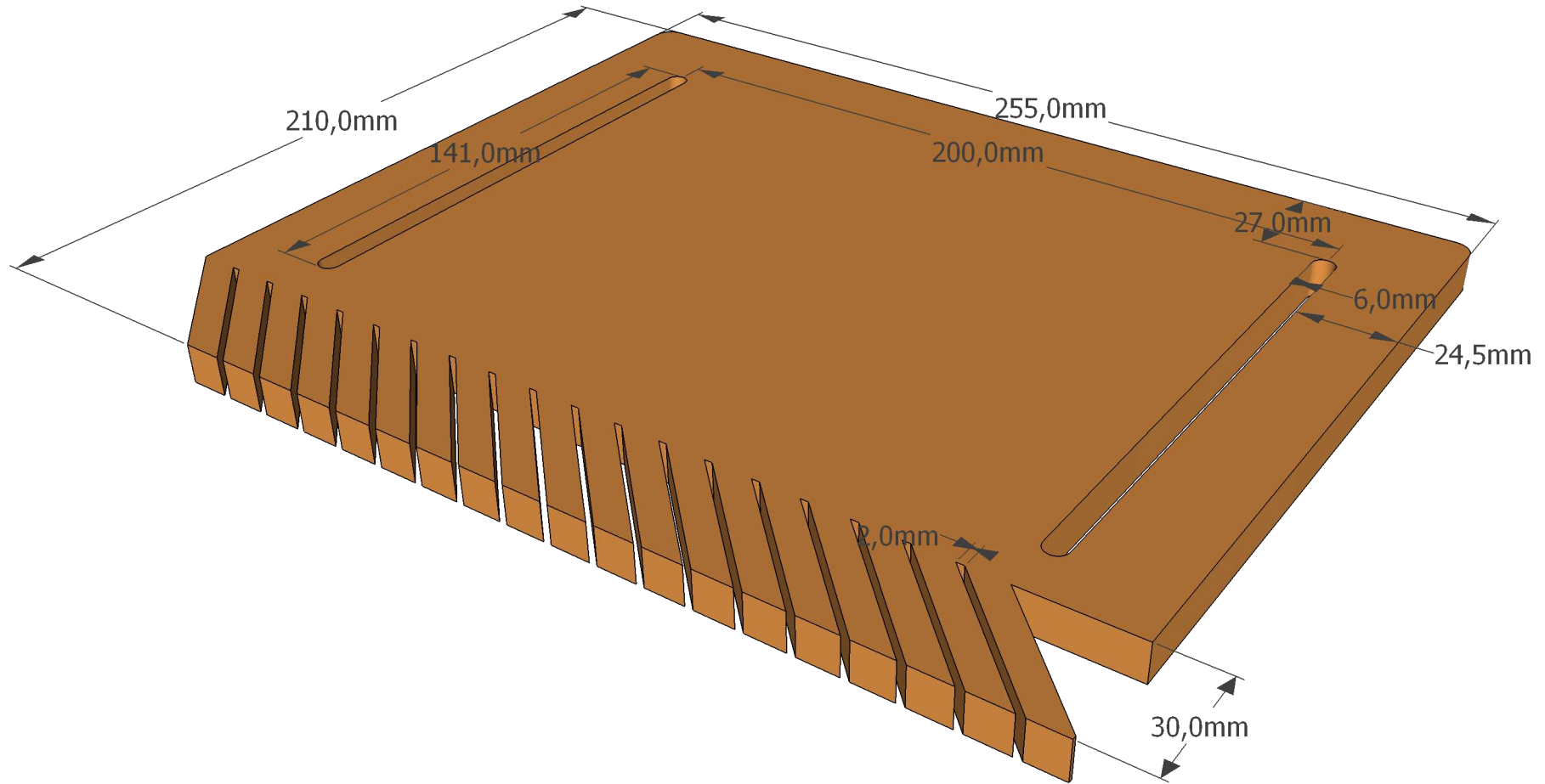


# Featherboard full scale





# Featherboard



# Featherboard 1/2 Scale

