

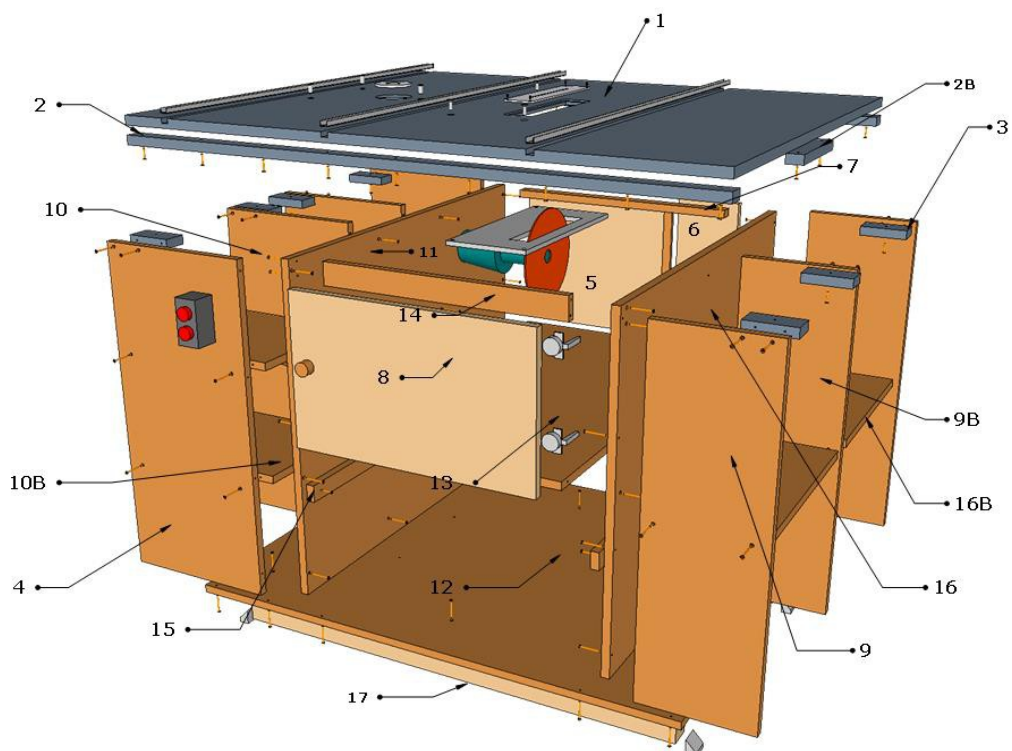
# Saw-Router Table

Hard plywood: (With melamine or Two coats of Varnish)

- 1- 1260 x 1000 x 20mm
- 2- 1260 x 35 x 20mm (2 pieces)
- 2B- 200 x 35 x 20mm
- 3- 100 x 50 x 20mm (7 pieces)

Soft plywood:

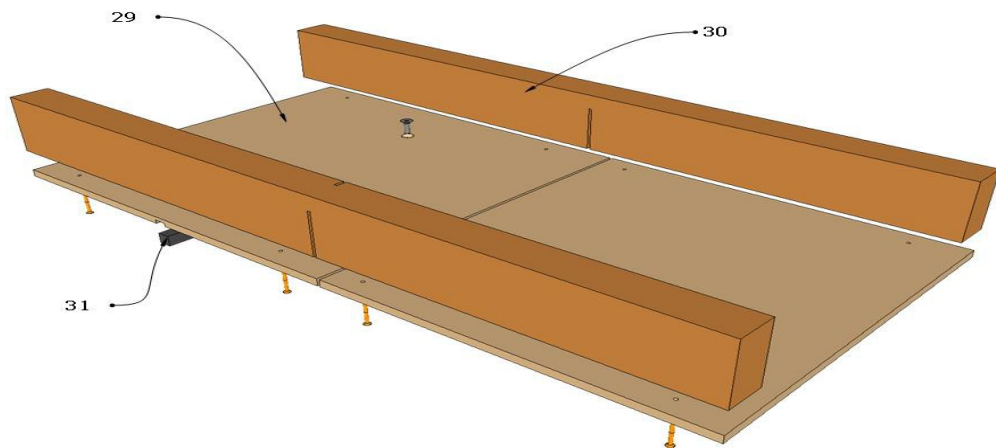
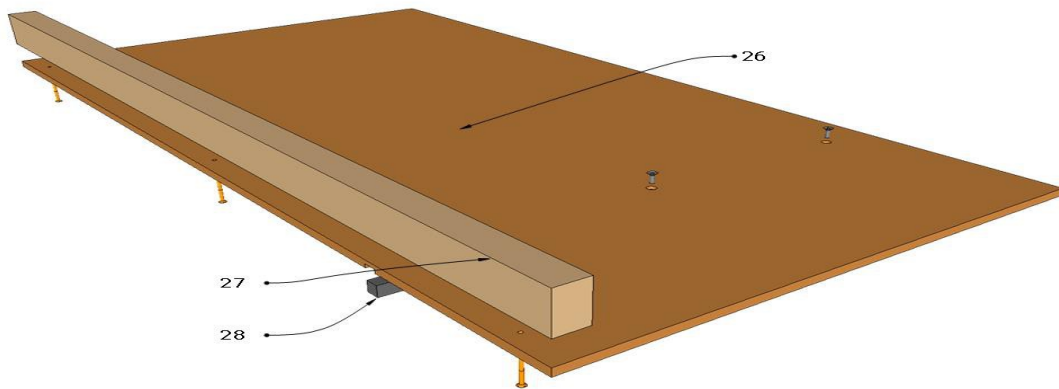
- 4- 760 x 342 x 18mm (2 pieces)
- 5- 377 x 327 x 18mm
- 6- 361 x 150 x 18mm
- 7- 532,5 x 30 x 18mm
- 8- 526 x 330 x 18mm
- 9- 760 x 240 x 18mm (3 pieces)
- 10- 760 x 342 x 18mm (2 pieces)
- 10B- 330 x 294 x 18mm (4 pieces)
- 11- 900 x 760 x 18mm
- 12- 1150 x 900 x 18mm
- 13- 532,5 x 900 x 18mm
- 14- 532,5 x 50 x 18mm
- 15- 900 x 38 x 18mm (2 pieces)
- 16- 900 x 760 x 18mm
- 16B- 423 x 230 x 18mm (2 pieces)
- 17- 1060 x 60 x 50mm (2 pieces of hard wood)



# Table Saws Sleds

## Cutting List:

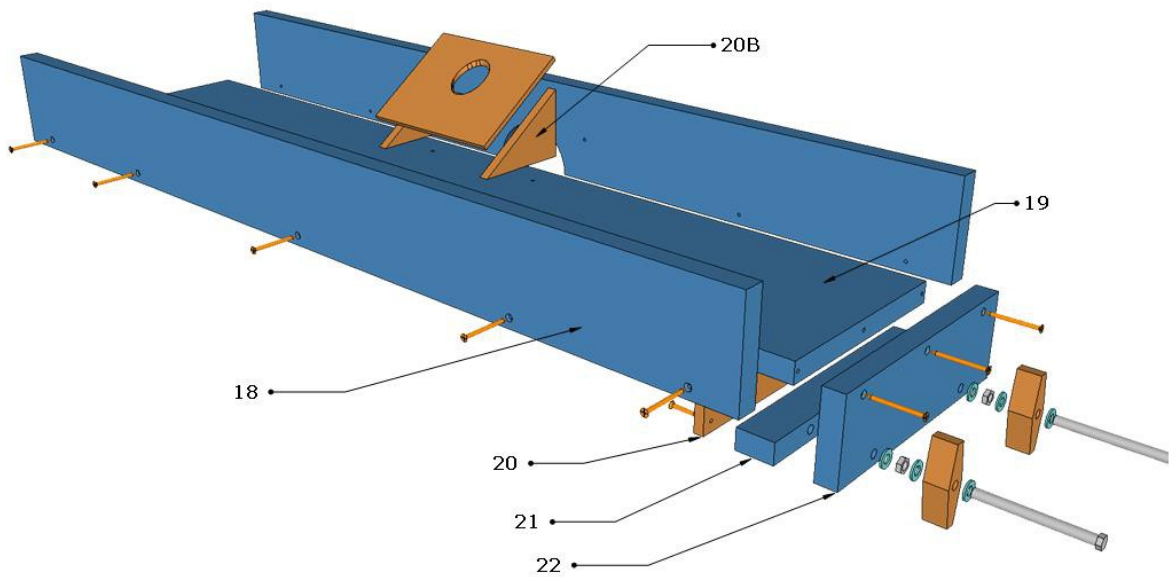
- 26- 1000 x 530 x 10mm (MDF)
- 27- 1000 x 50 x 30mm (Hard Wood)
- 28- 530 x 13,2 x 9,5mm (Trespa)
- 29- 800 x 400 x 10mm (MDF)
- 30- 800 x 80 x 40mm (Hard Wood 2 Pieces)
- 31- 400 x 13,2 x 9,5 (Trespa)



# Fence

Hard plywood:

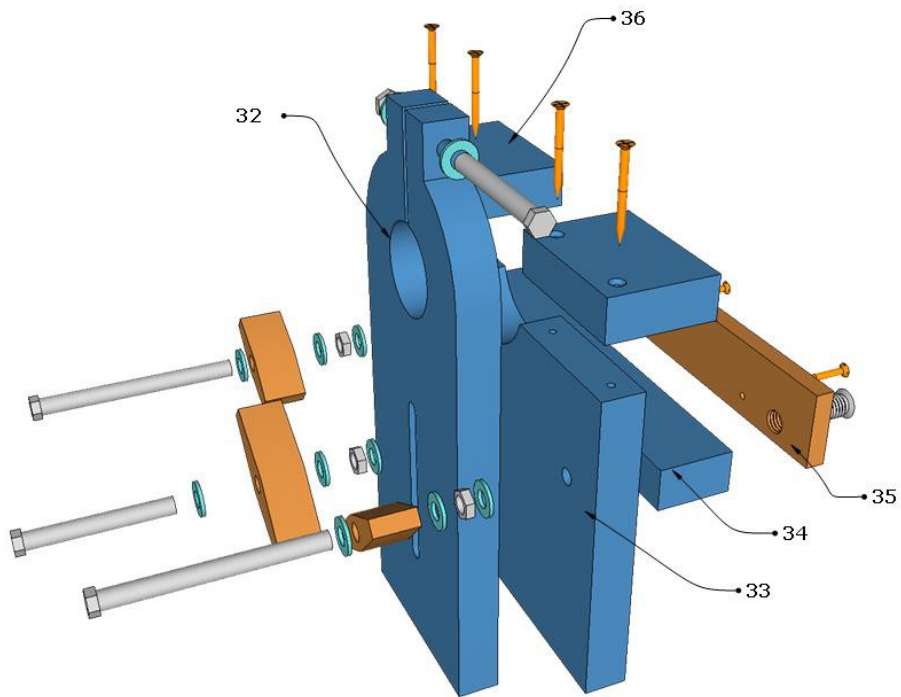
- 18- 1000 x 100 x 20mm (2 pieces)
- 19- 1000 x 200 x 20mm
- 20- 240 x 38 x 9mm
- 20B- 100 X 70 X 9mm (2 pieces)
- 21- 240 x 35 x 20mm
- 22- 240 x 80 x 20mm



# *Horizontal Router*

Hard Plywood:

- 32- 271,5 x 103 x 20mm
- 33- 200 x 150 x 20mm
- 34- 200 x 35 x 20mm
- 35- 200 x 37 x 9mm
- 36- 70 x 50 x 20mm (2 pieces)



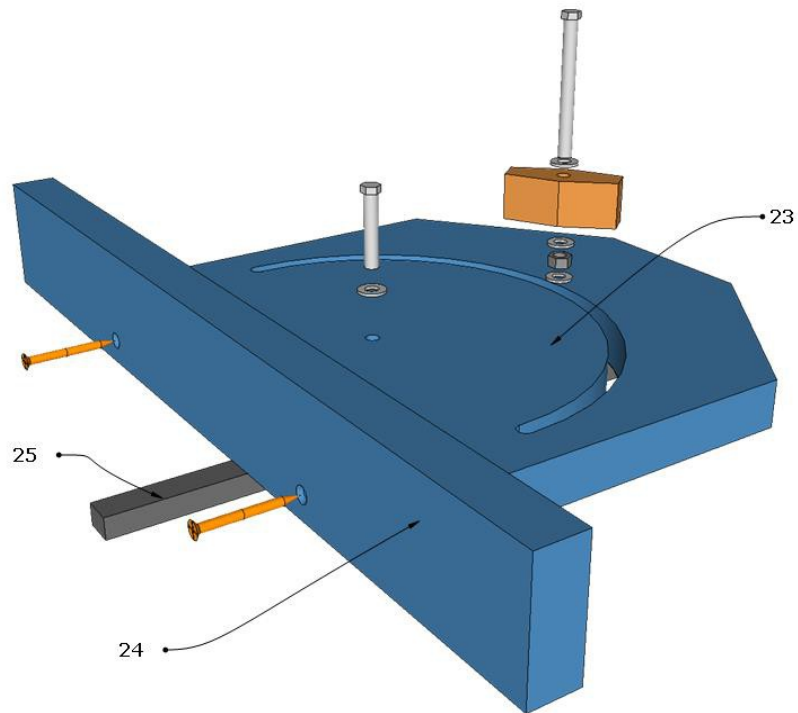
# Miter

Hard plywood:

23- 244 x 200 x 20mm (Hard Plywood)

24- 400 x 50 x 20mm (Hard Plywood)

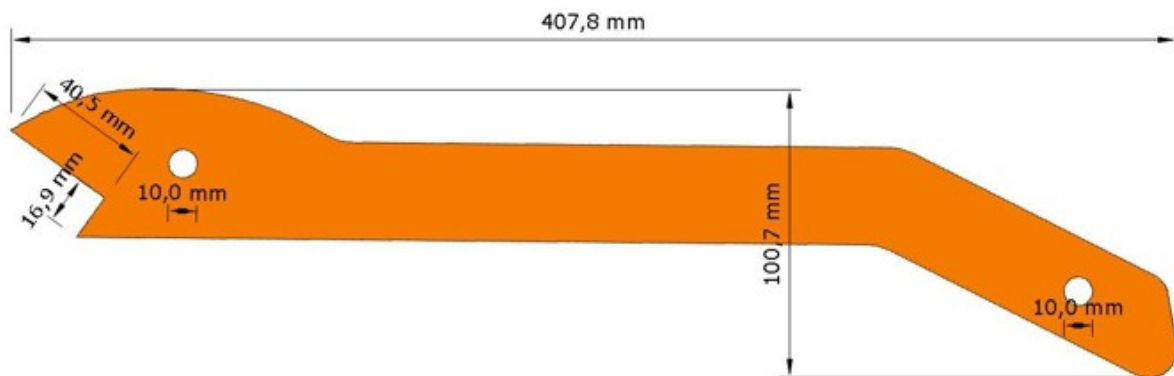
25- 294 x 13,2 x 9,5mm ( Trespa)



# *Push Stick*

Name	Length	Width	Quantity	Material
64	410 mm	110 mm	1	9mm Plywood

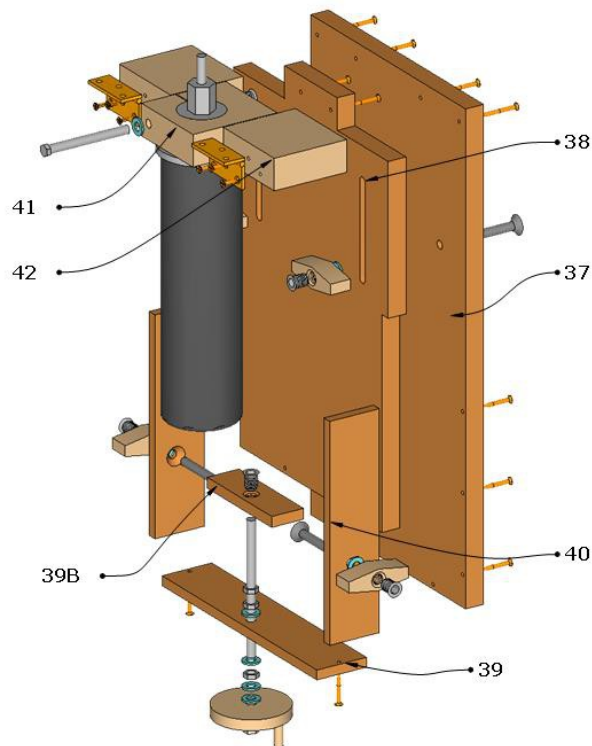
## **Push Stick 1/2 Scale**



# Vertical Router

## Cutting List:

- 37- 460 x 240 x 18mm (Soft Plywood)
- 38- 375 x 240 x 18mm (Soft Plywood)
- 39- 240 x 50 x 9mm (Hard Plywood)
- 39B-100 x 32 x 9mm (Hard Plywood)
- 40- 206 x 50 x 9mm (Hard Plywood 2pieces)
- 41- 85 x 80 x 30mm (Hard Plywood or Hard Wood)
- 42- 79,3 x 73 x 30mm (Hard Plywood or Hard Wood 2 pieces)



# *Router & Saw Table Fasteners*

- 3 U Aluminium Profile 1000X13,2X10mm
  - 1 M8 125mm Threaded Rod or Hexagonal Head
  - 1 M8 70mm Hexagonal Head
  - 4 M8 90mm Hexagonal Head
  - 2 M8 50mm Allen Flat head
  - 2 M8 60mm Allen Flat head
  - 4 M8 100mm Allen Flat head
  - 10 M6 20mm Allen Flat head
  - 1 M6 50mm Hexagonal Head
  - 1 M6 30mm Hexagonal Head
  - 10 M8 Nuts
  - 25 M8 Washers
  - 8 M6 Washers
  - 4 M6 Nuts
  - 11 M8 Threaded insert
  - 3 M6 Threaded insert
- 
- 4 Kitchen Door Hinges
  - 2 Flat Hinges for the Vertical Router 50x30x30mm
  - 4 Adjustable Legs

