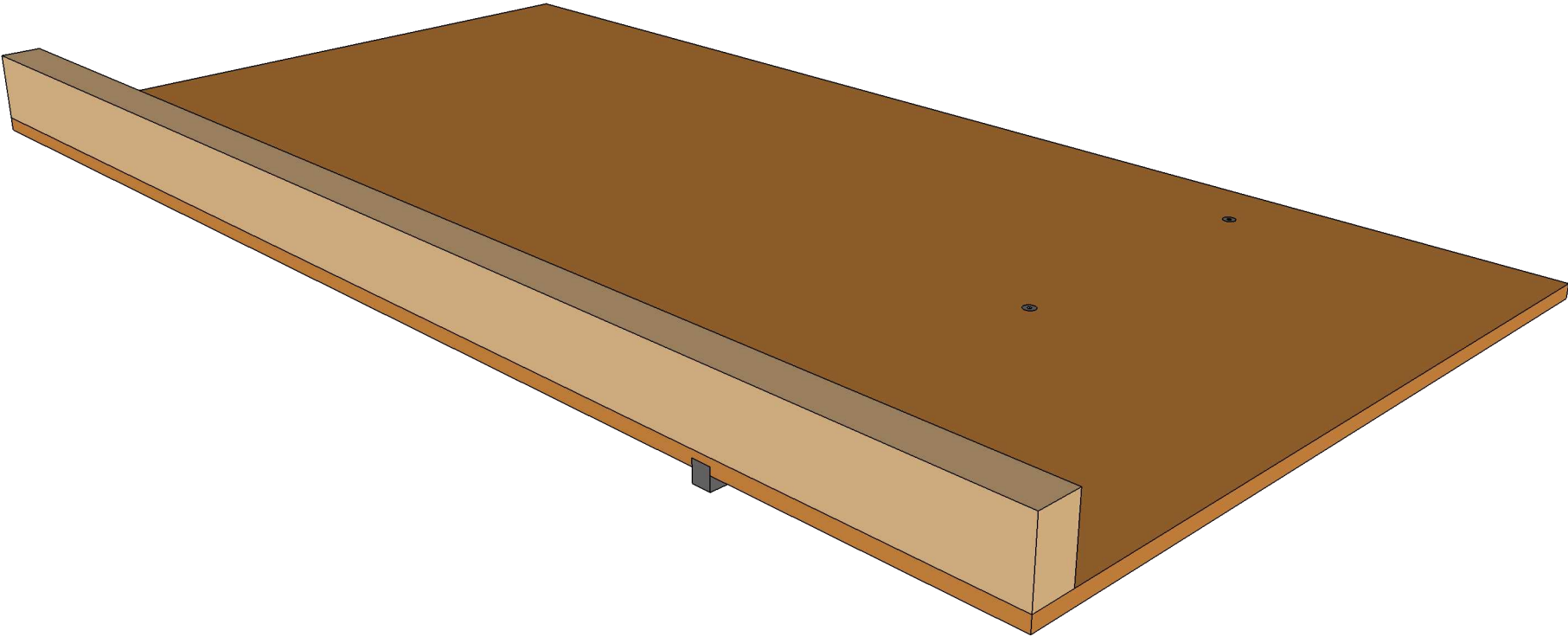
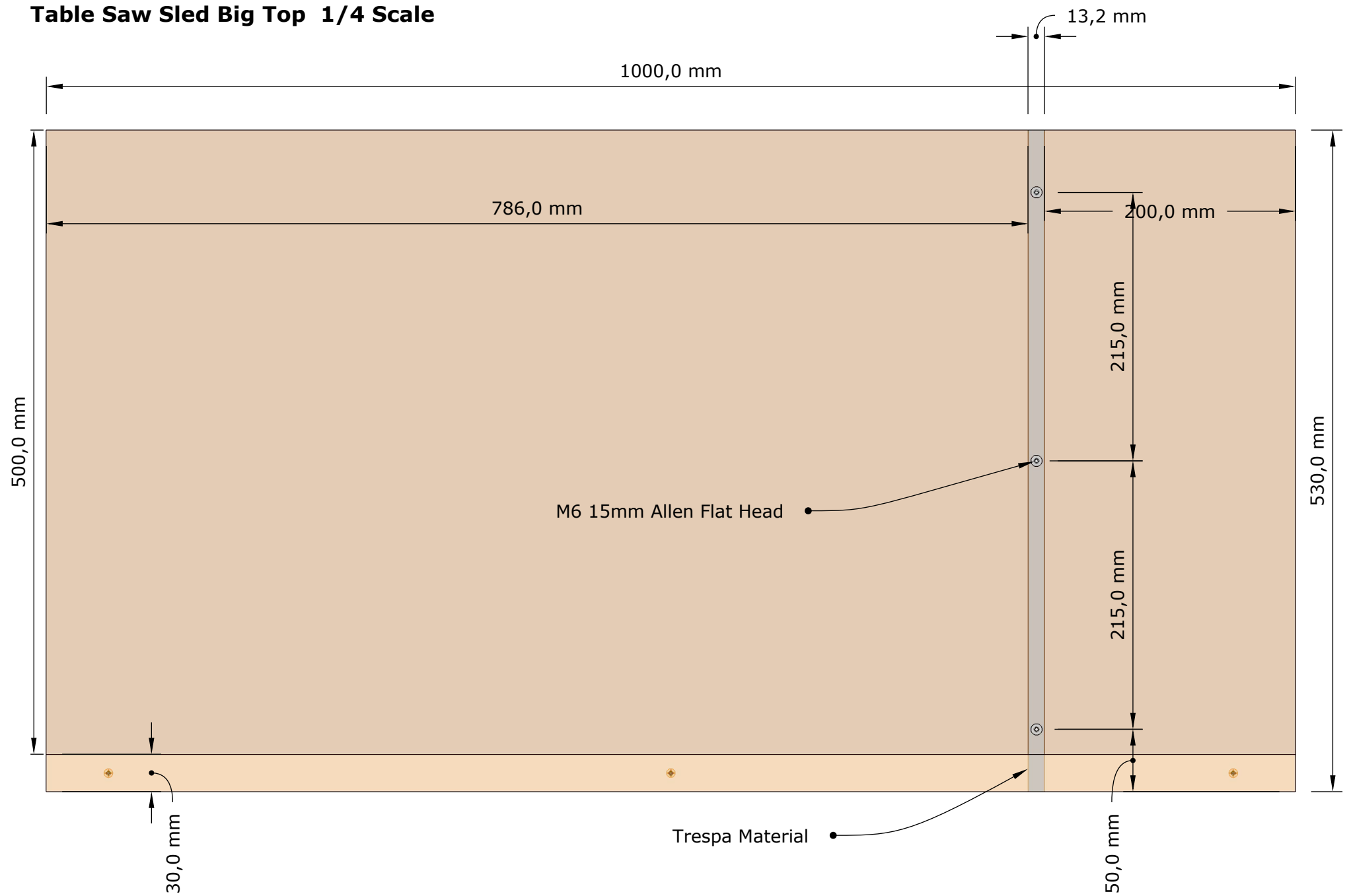


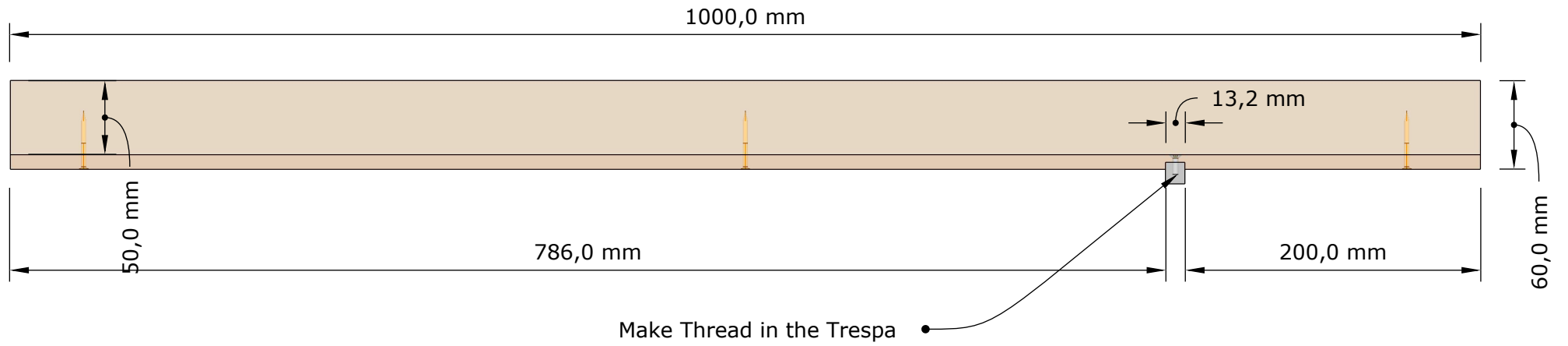
**Table Saw Sled Big**



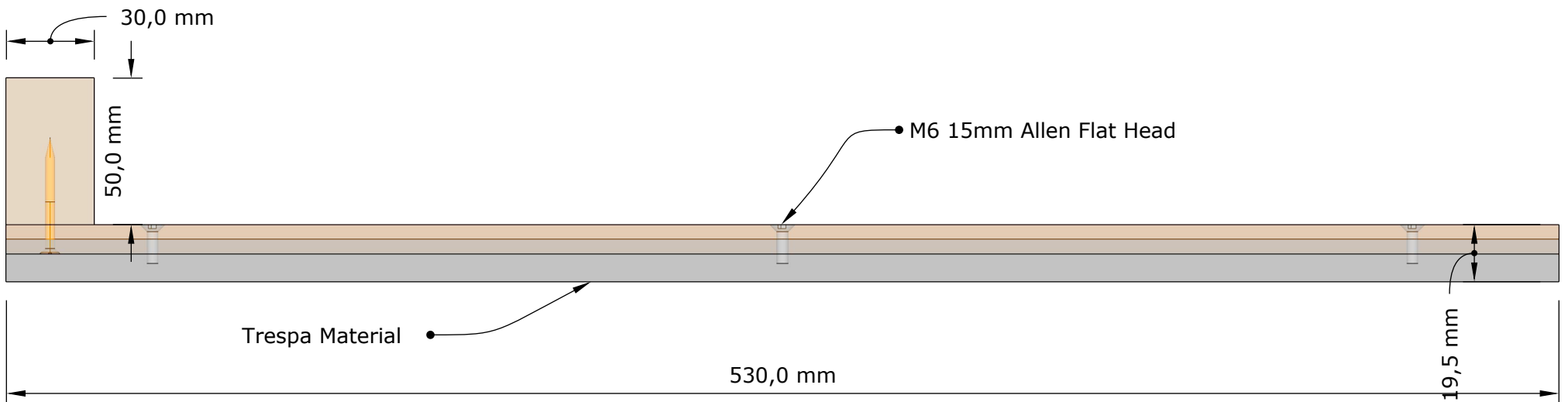
# Table Saw Sled Big Top 1/4 Scale



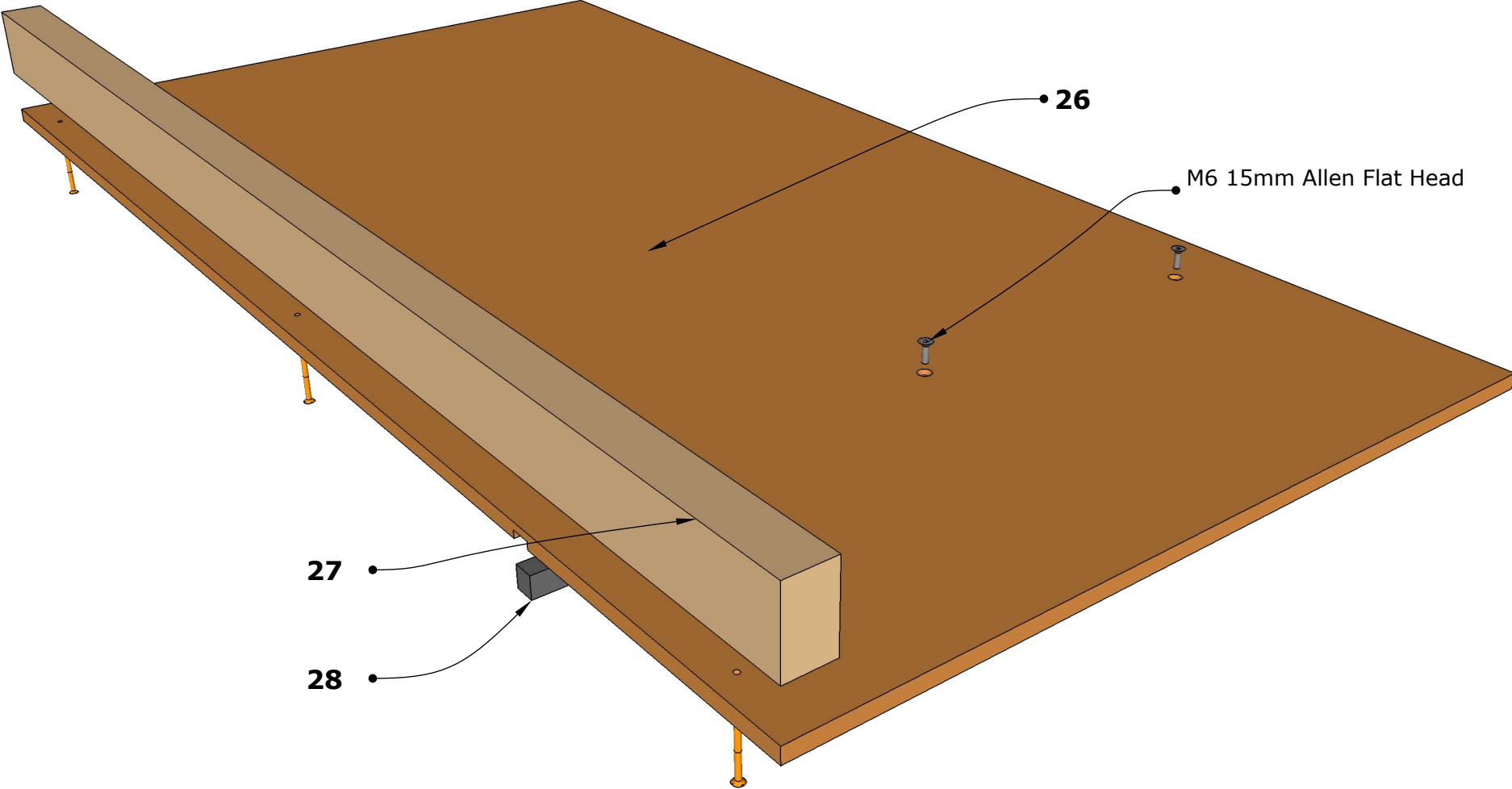
## Table Saw Sled Big Front 1/4 Scale



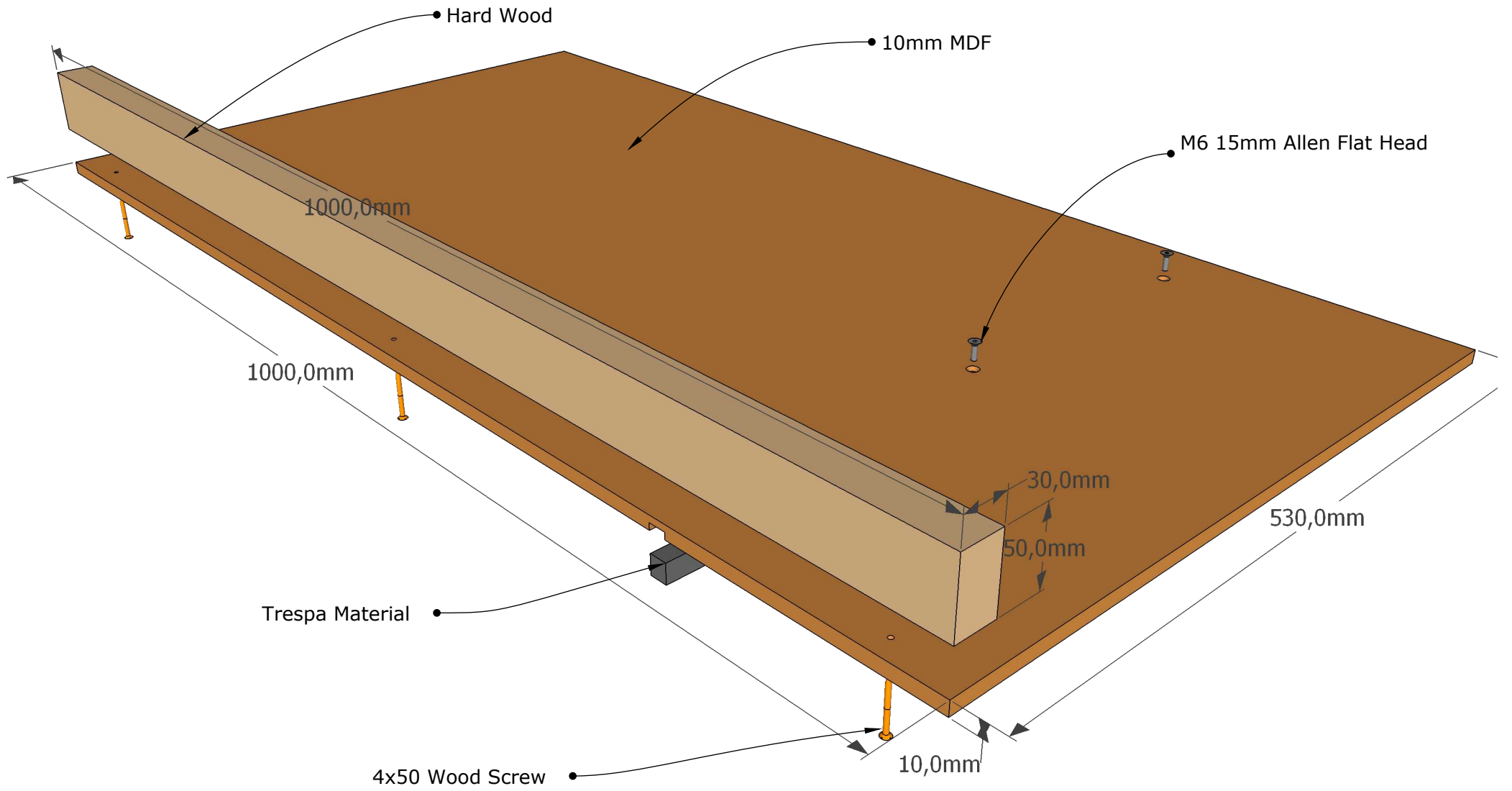
## Table Saw Sled Big Right 1/2 Scale



# Table Saw Sled Big Numbers



# Table Saw Sled Big Exploded1



# Table Saw Sled Big Exploded2

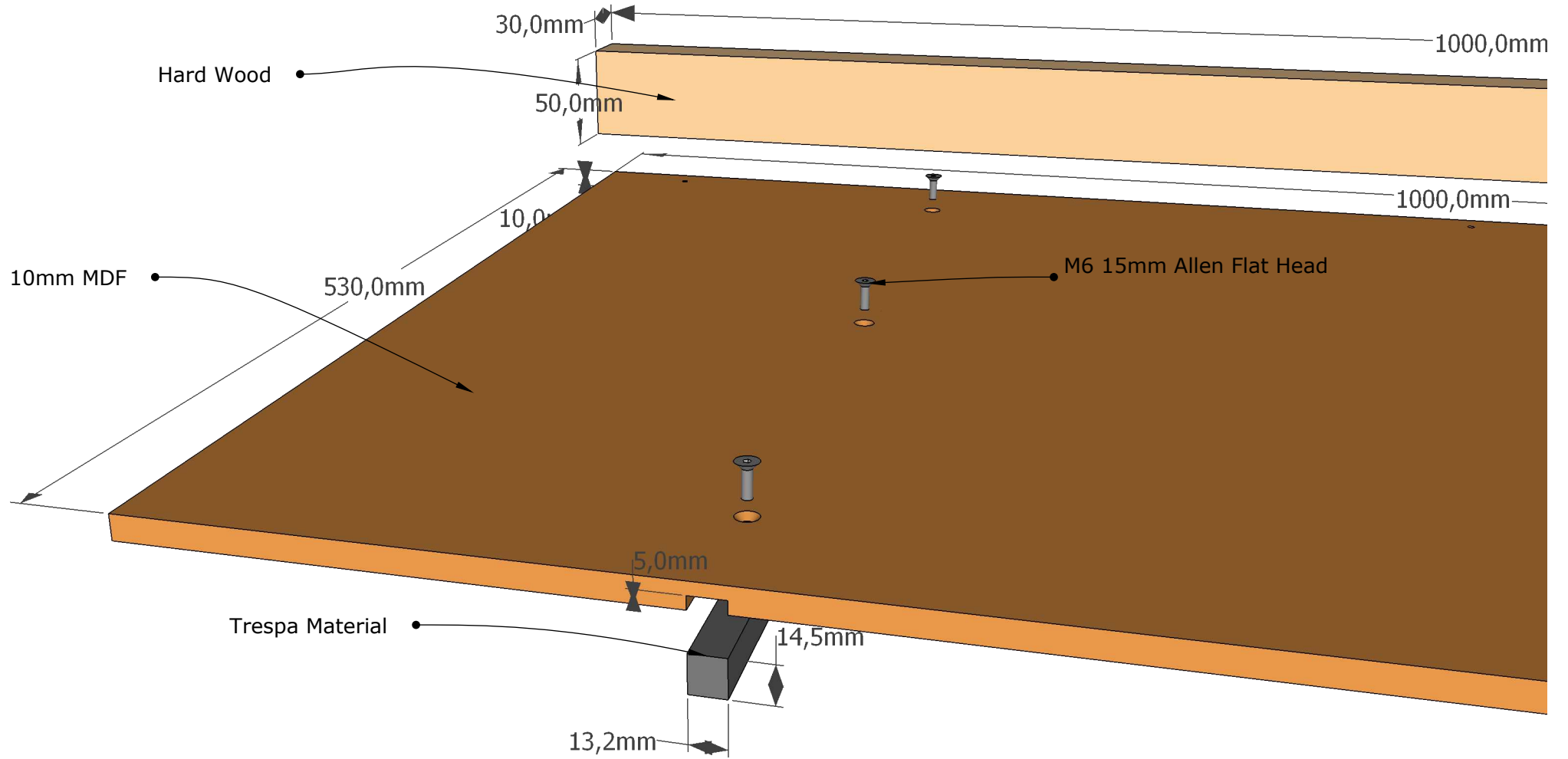
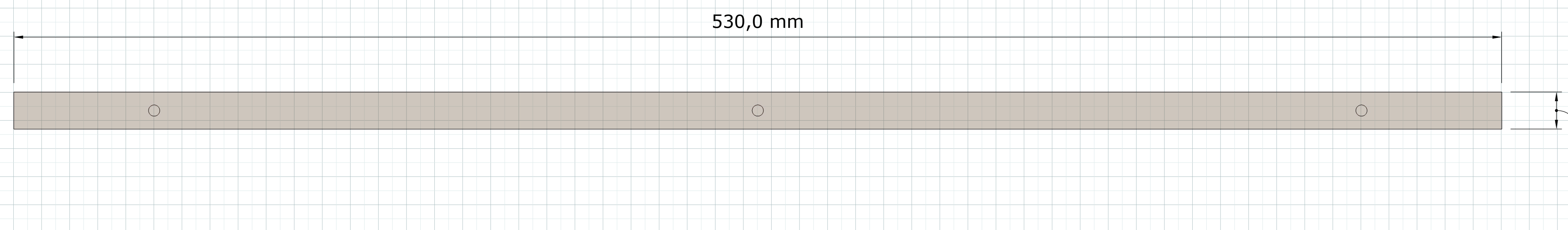
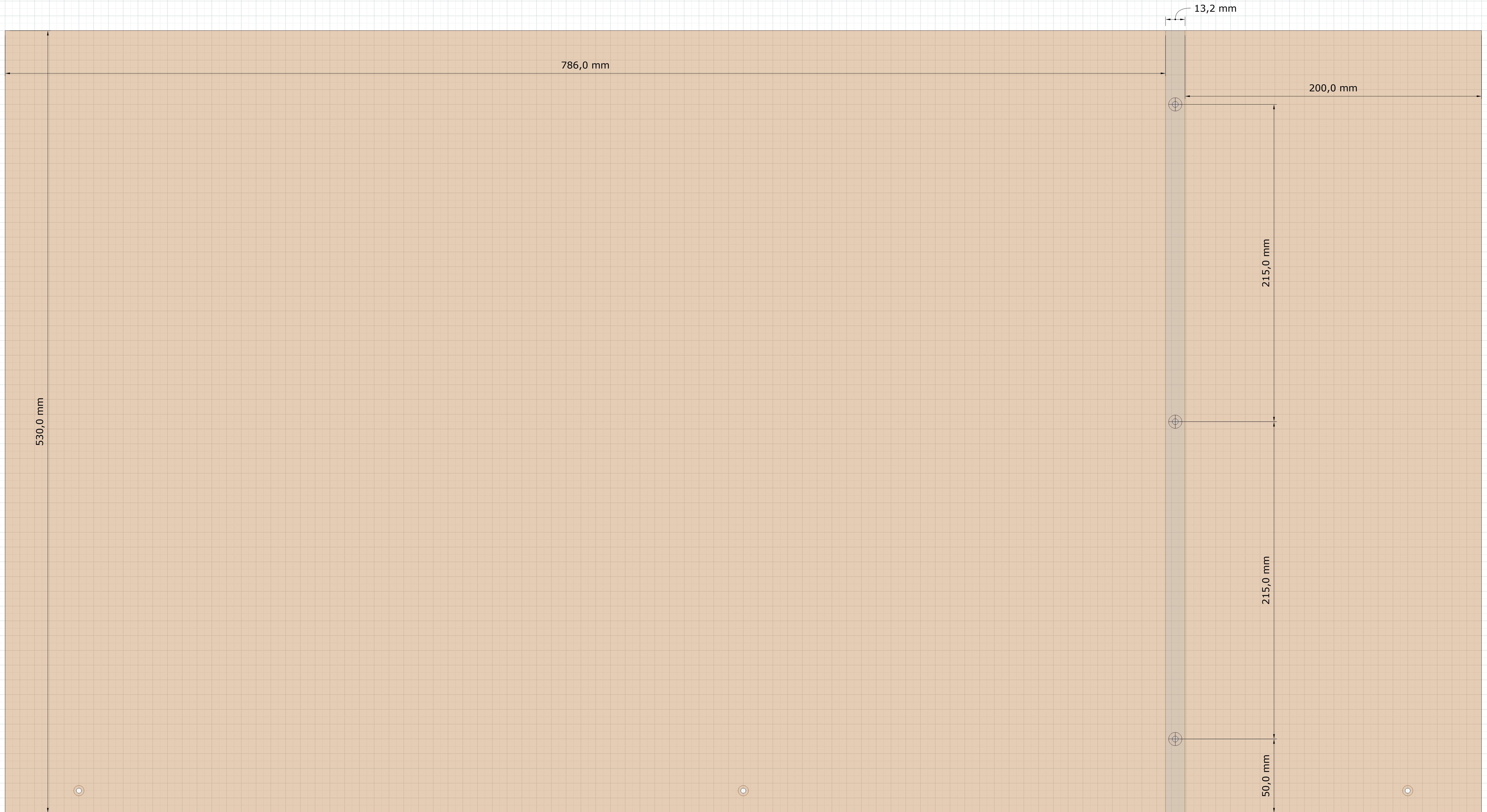
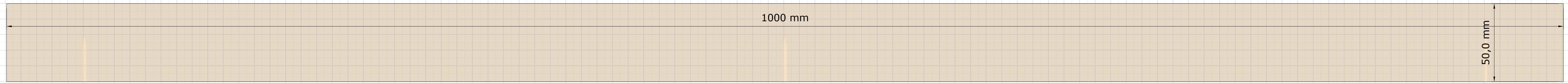
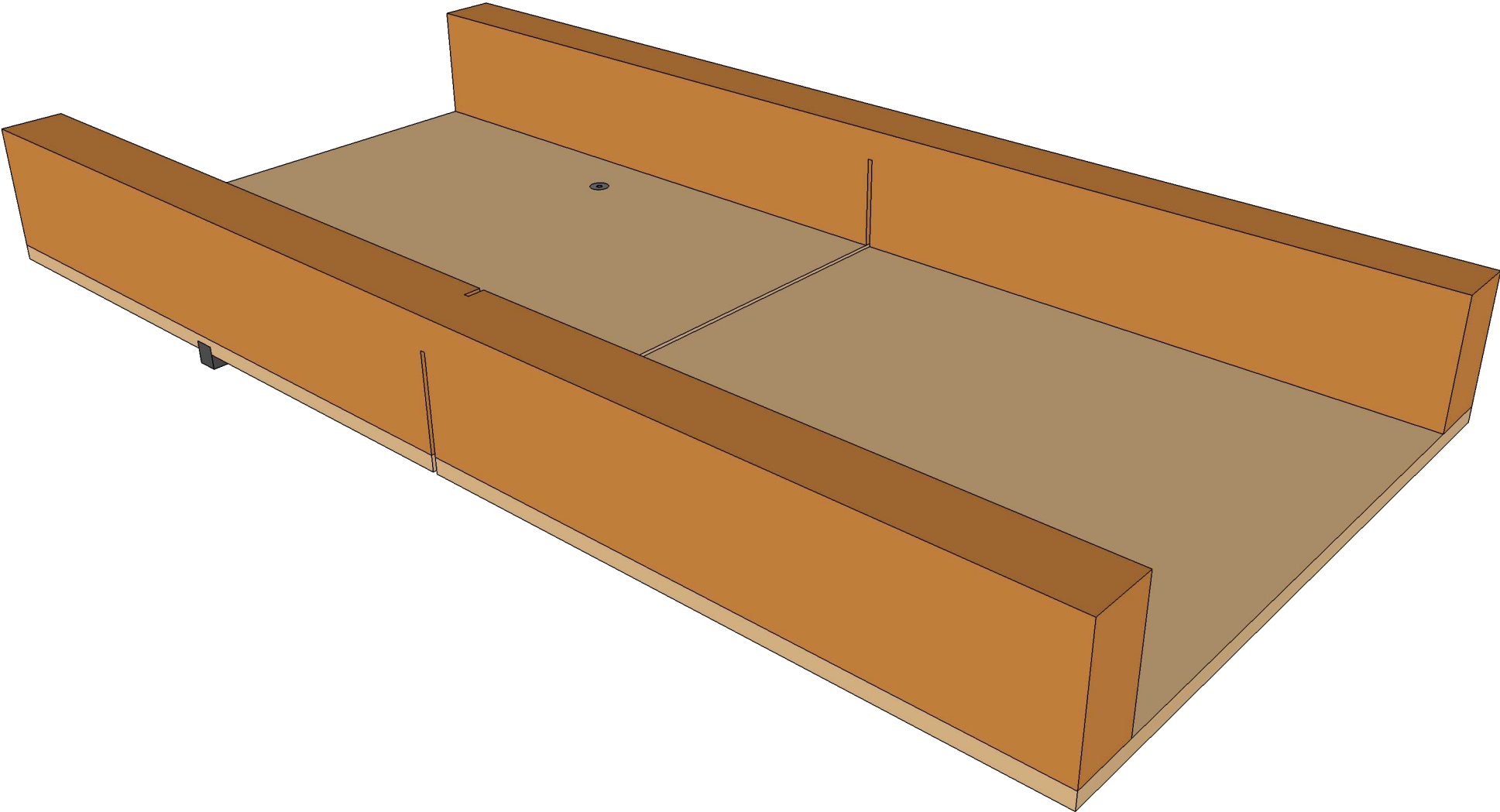


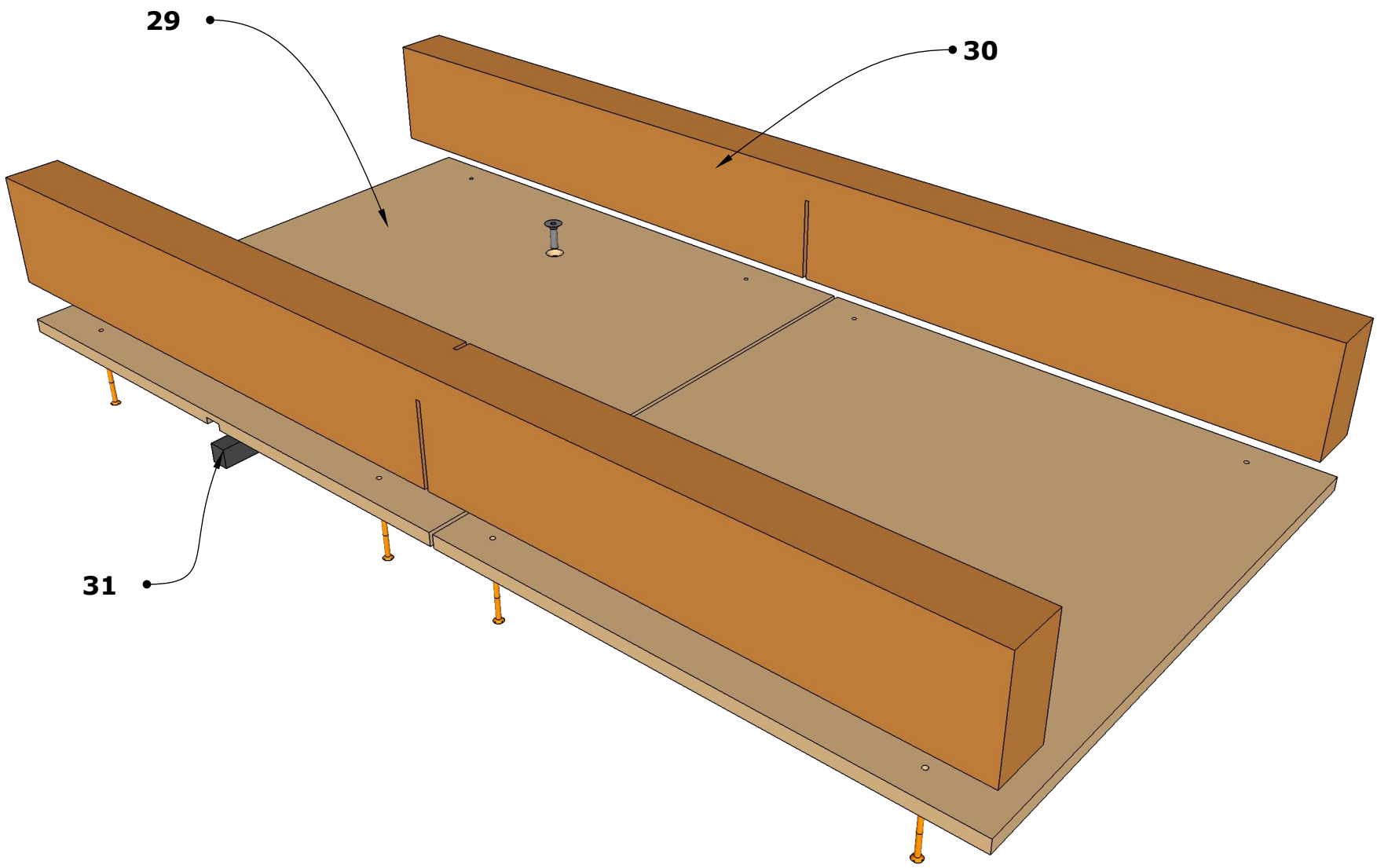
Table Saw Sled Printable Template



**Table Saw Sled Small ISO**





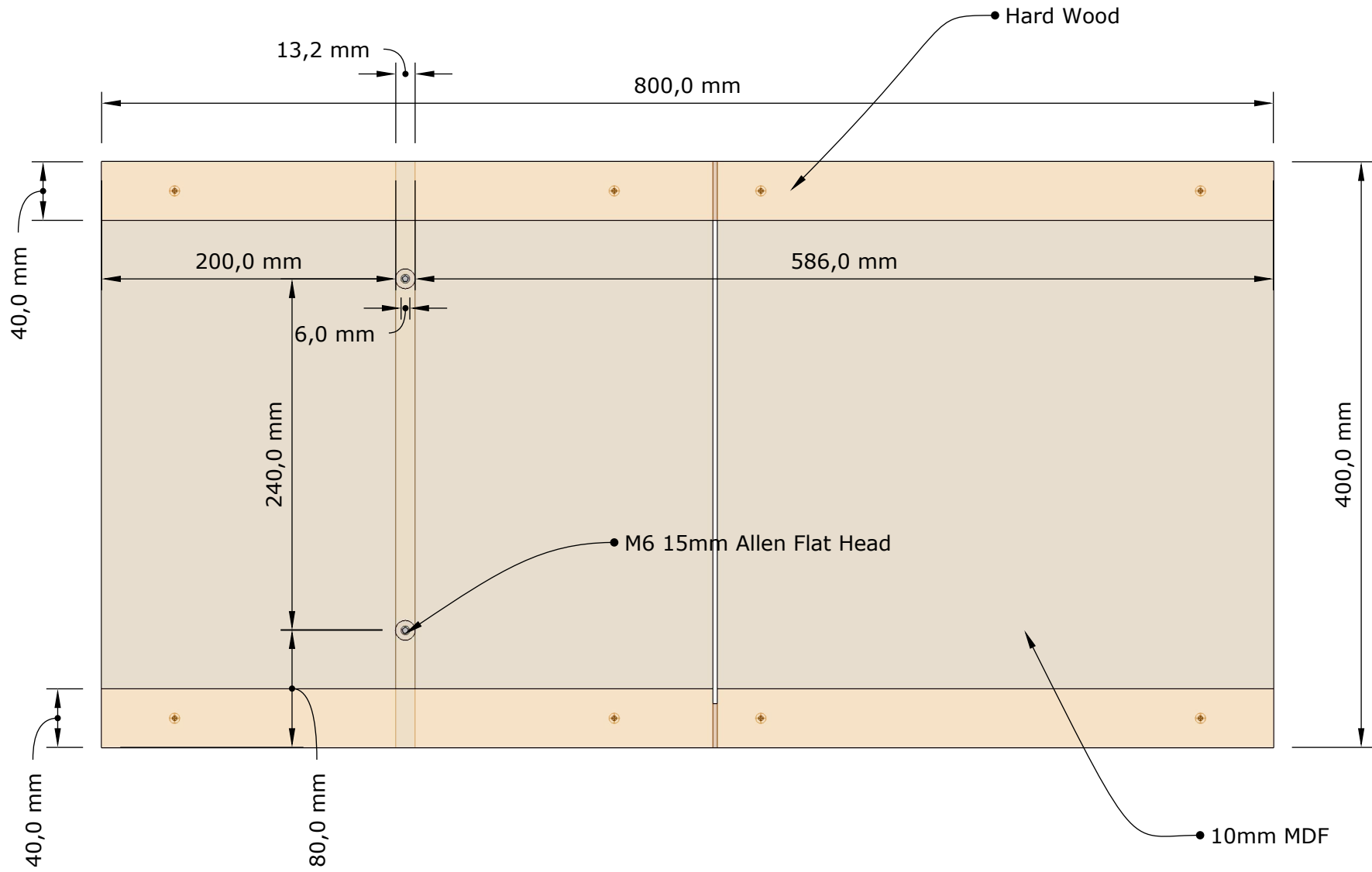


29

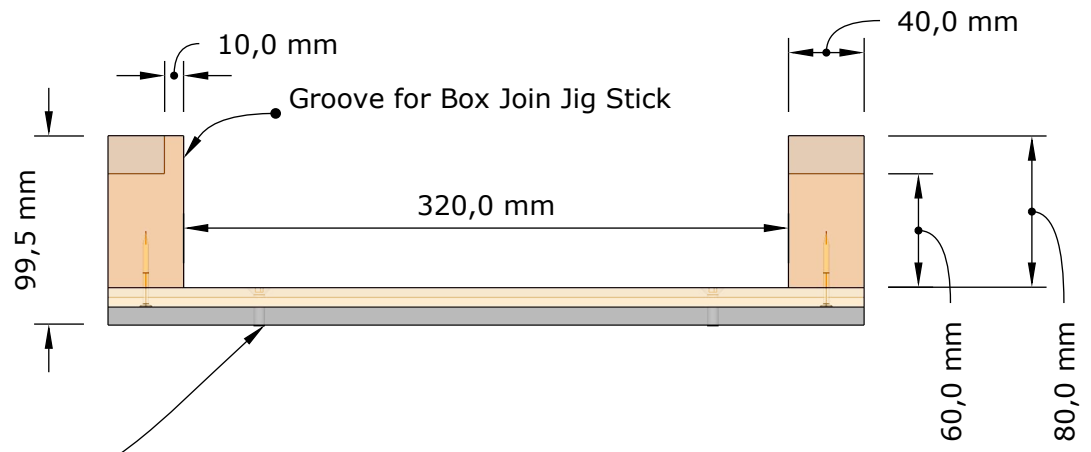
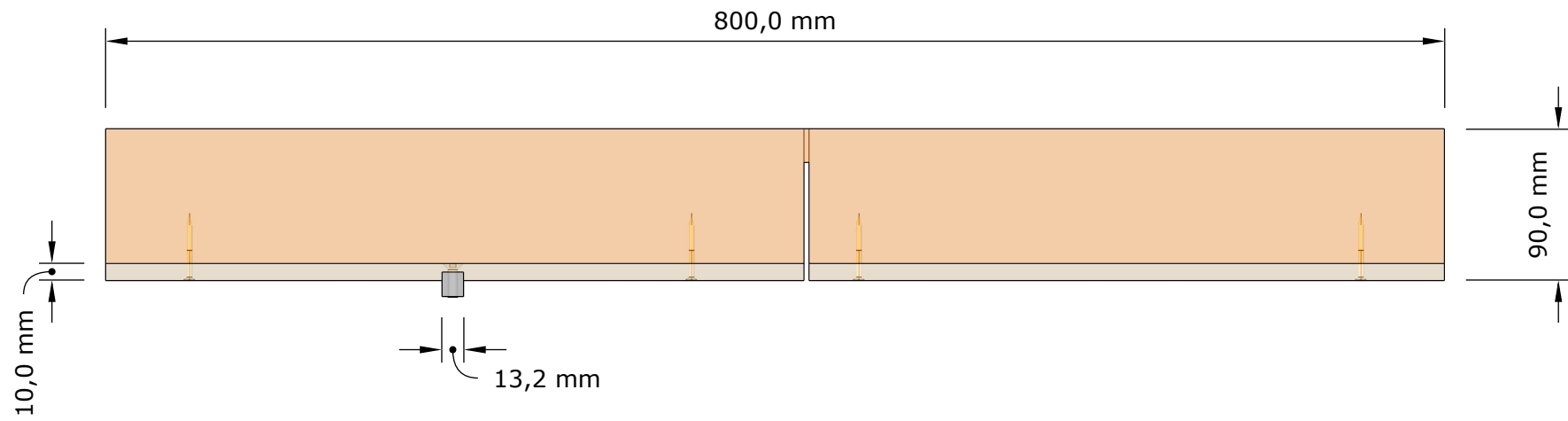
30

31

# Table Saw Sled Top 1/2 Scale

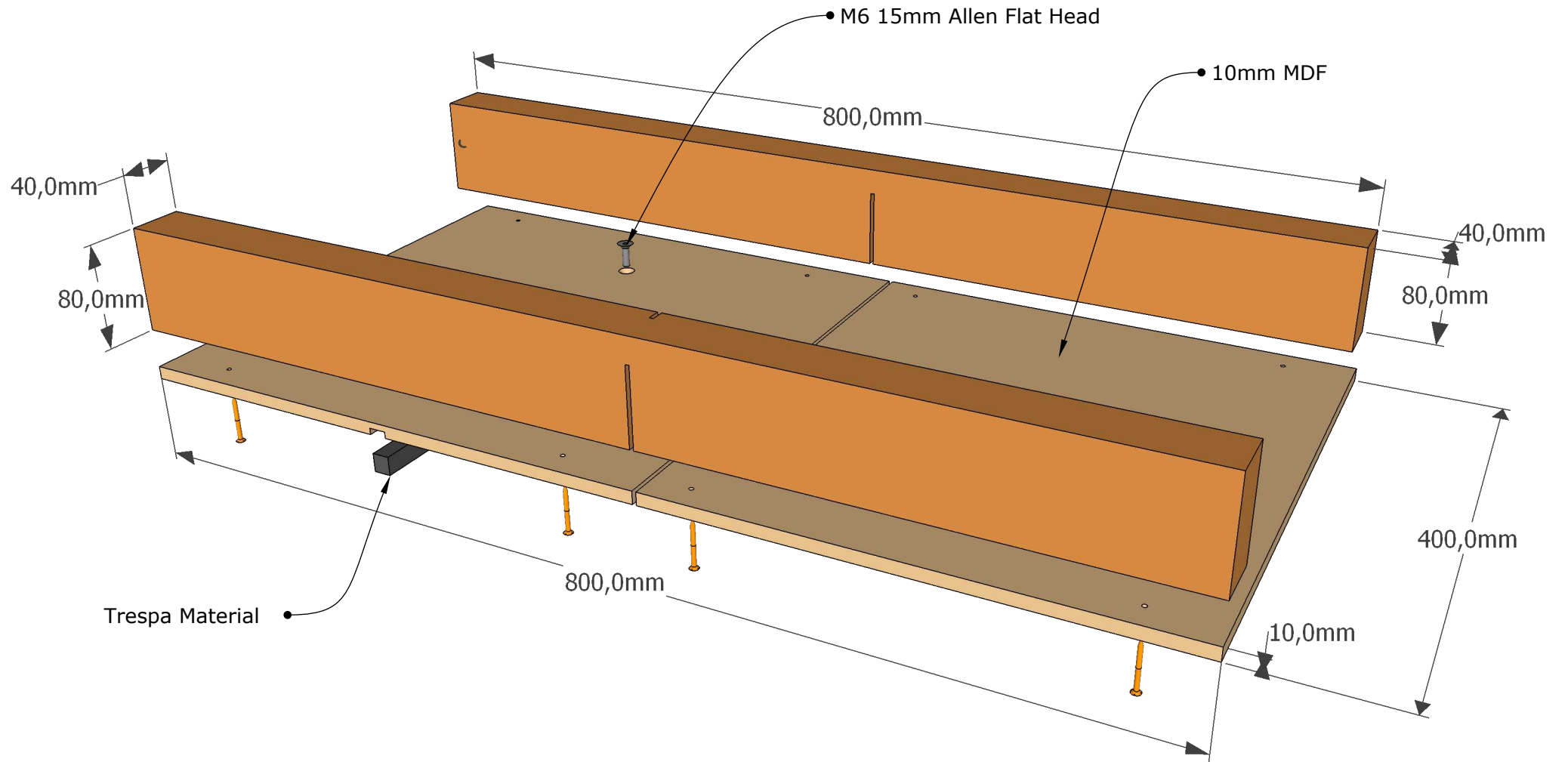


# Table Saw Sled Small Front/Right 1/2 Scale

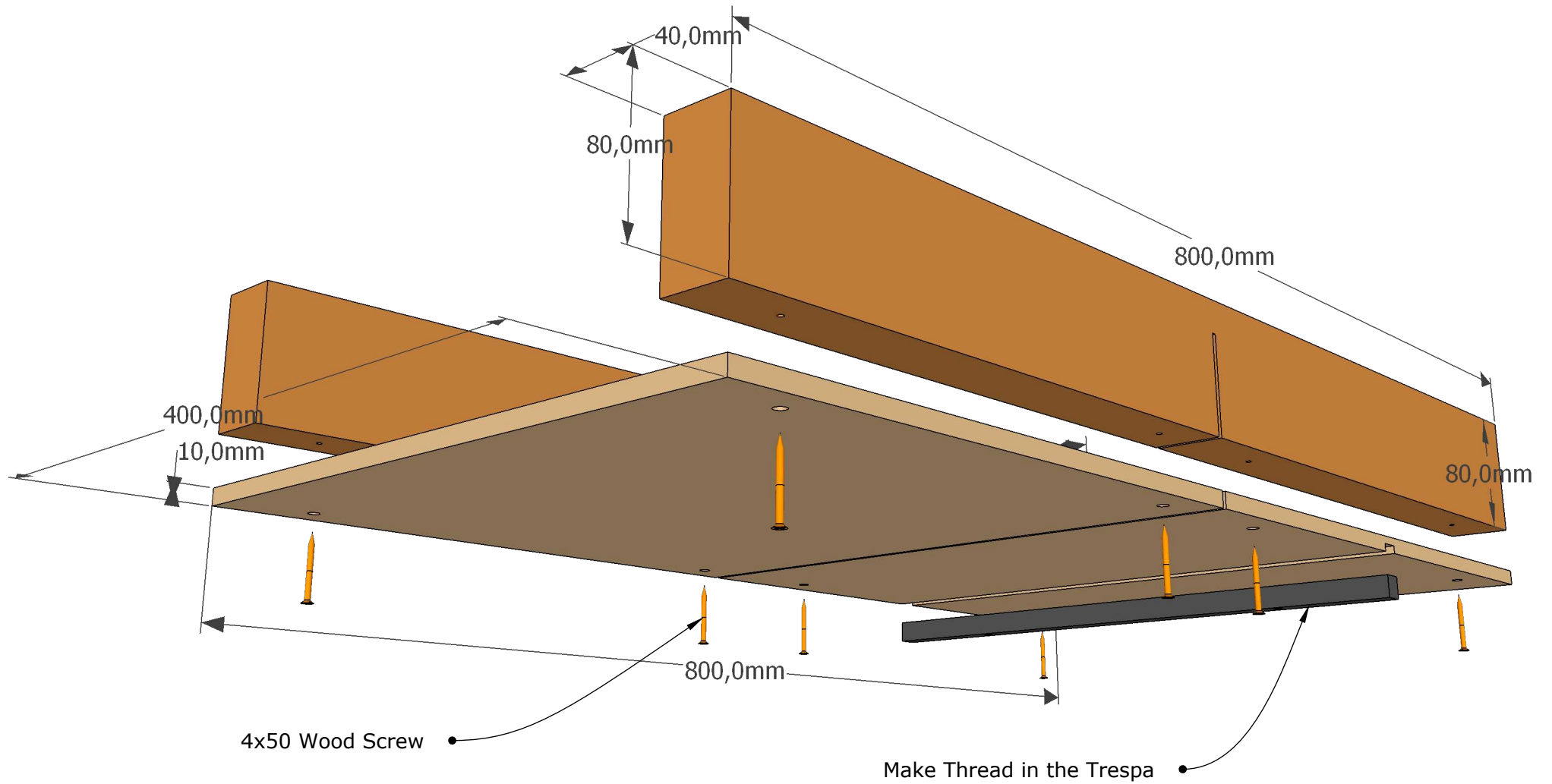


Make Thread in the Trespa

# Table Saw Sled Small Exploded1



## Table Saw Sled Small Exploded2



### Table Saw Sled Small Exploded3

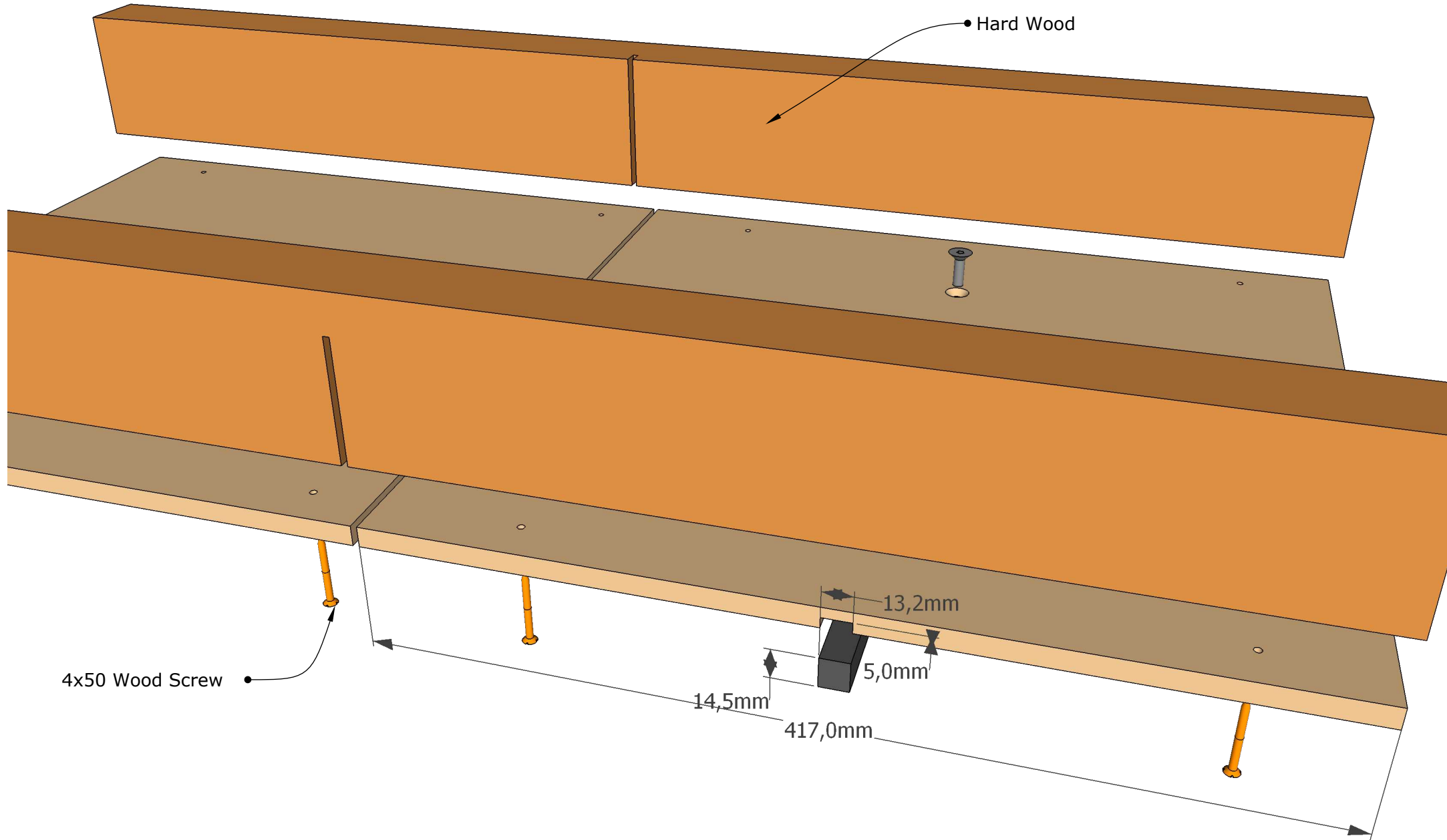
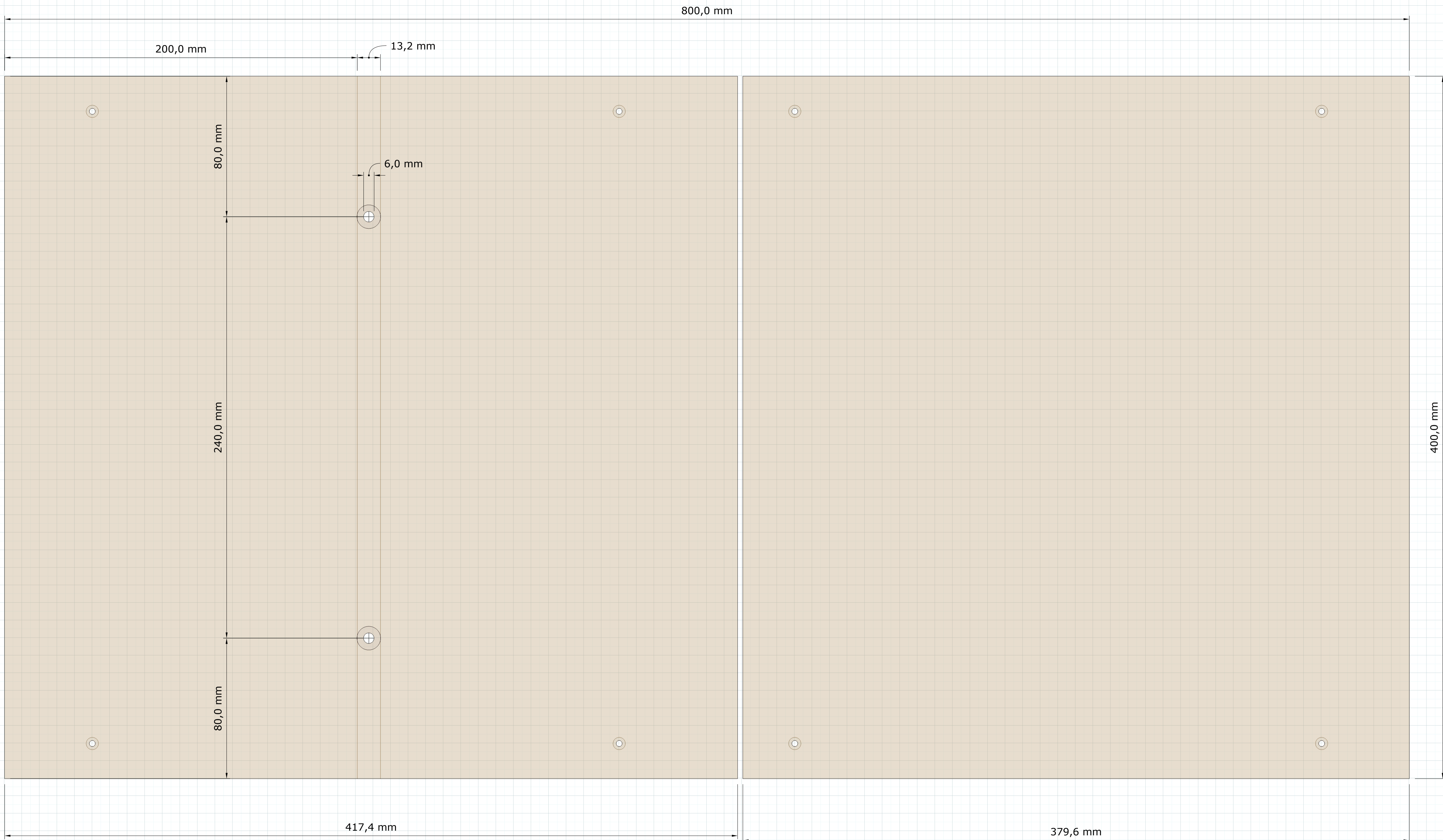
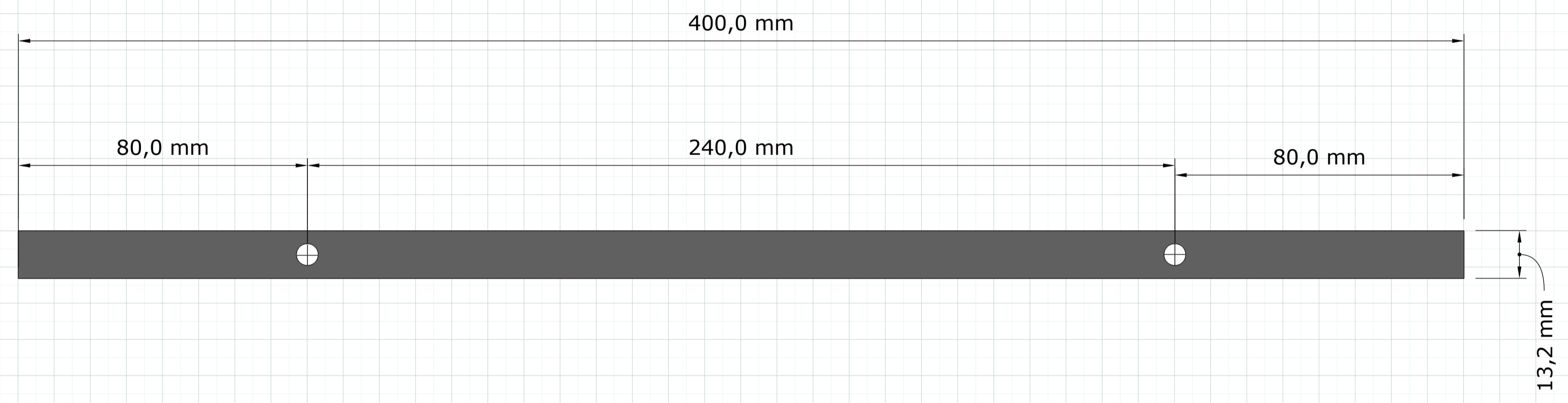
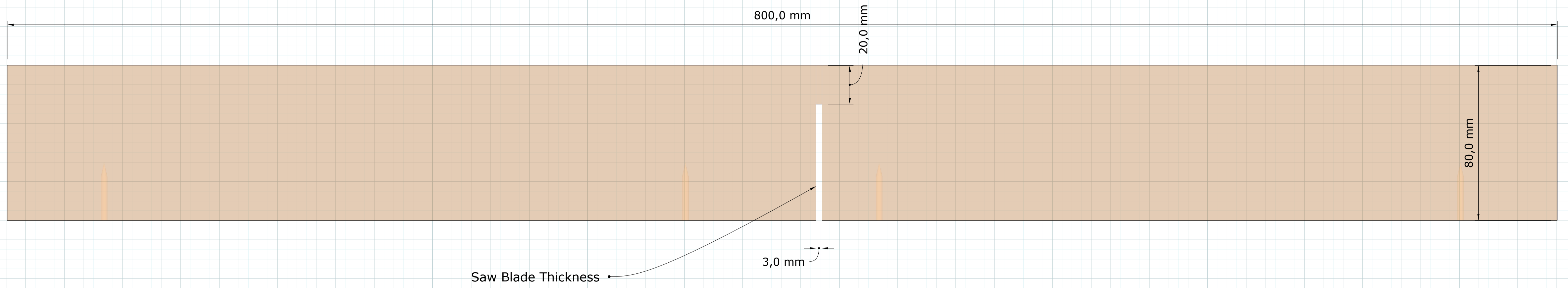


Table Saw Sled Printable Template1

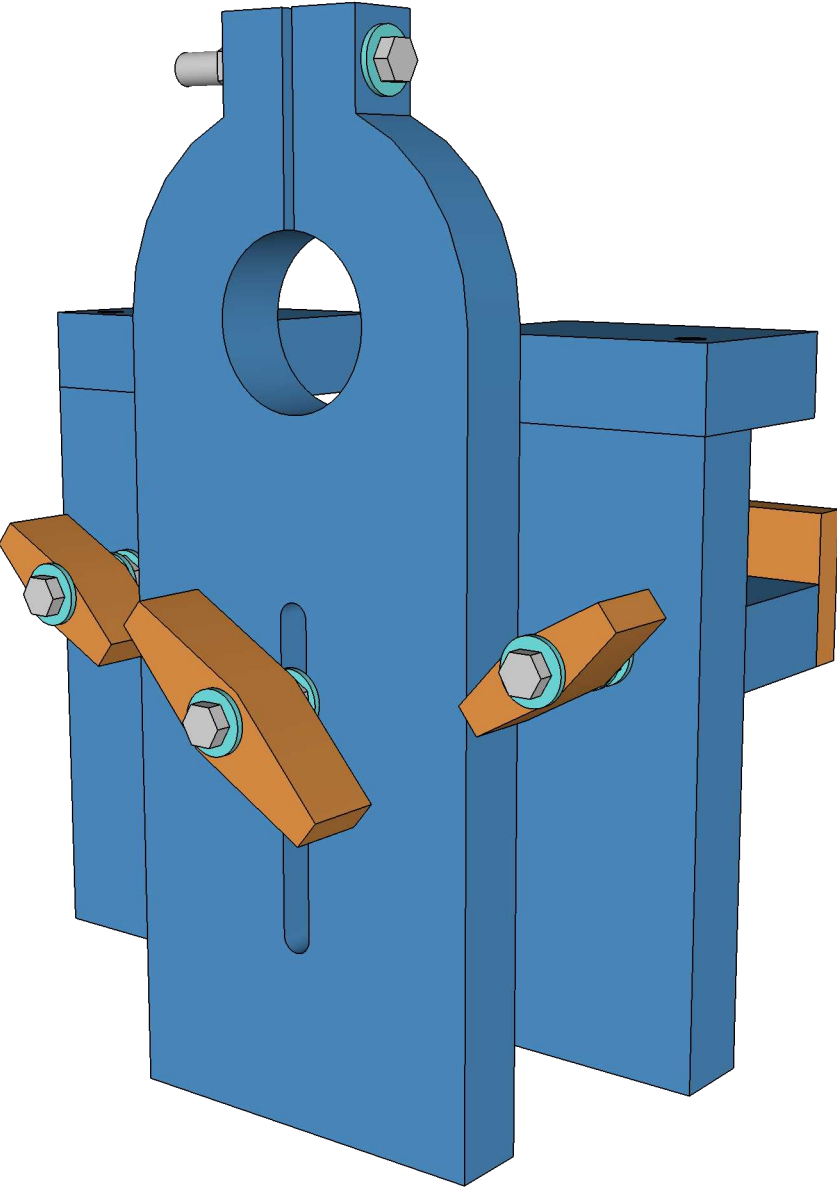


**Table Saw Sled Printable Template1**

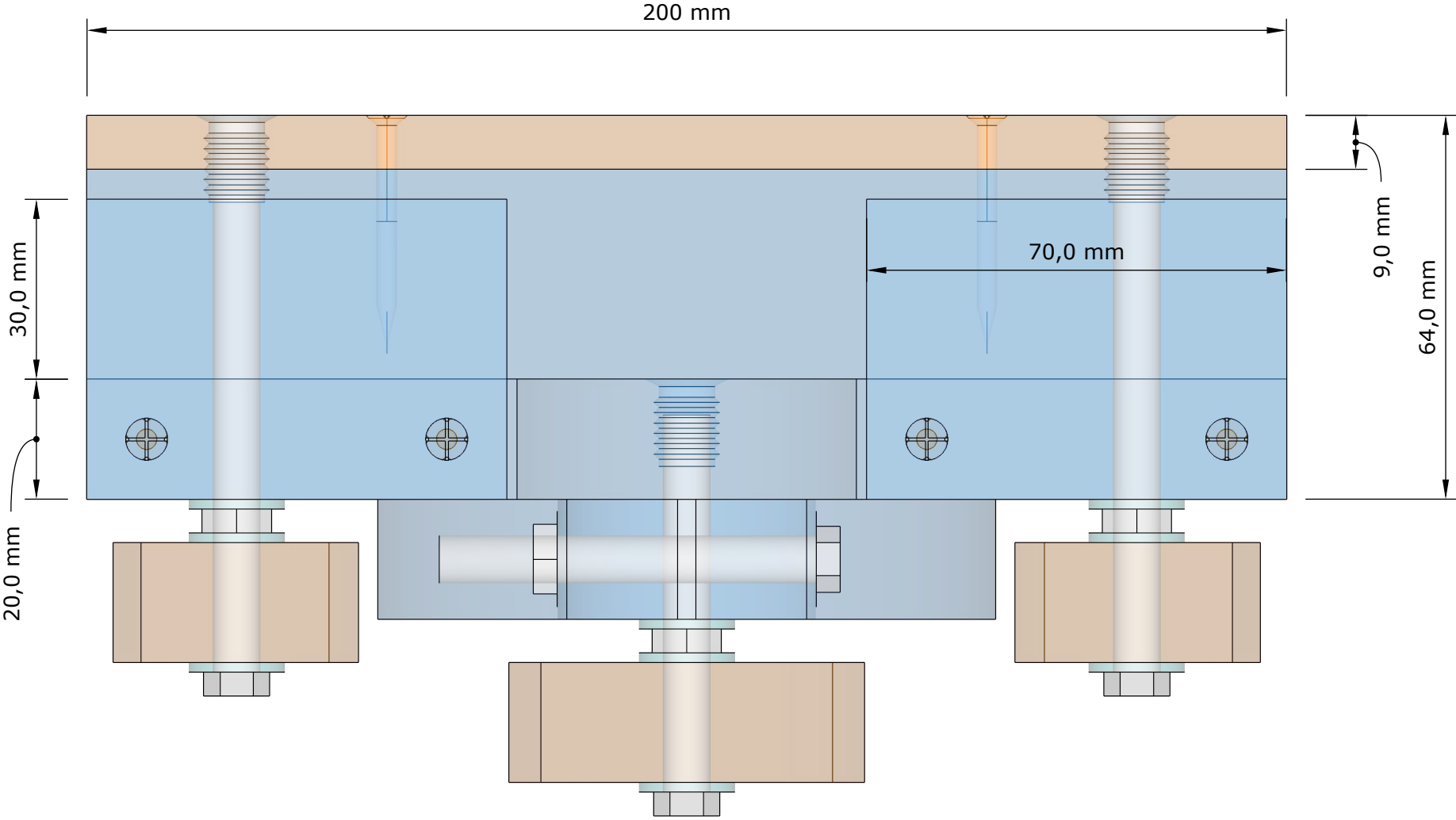




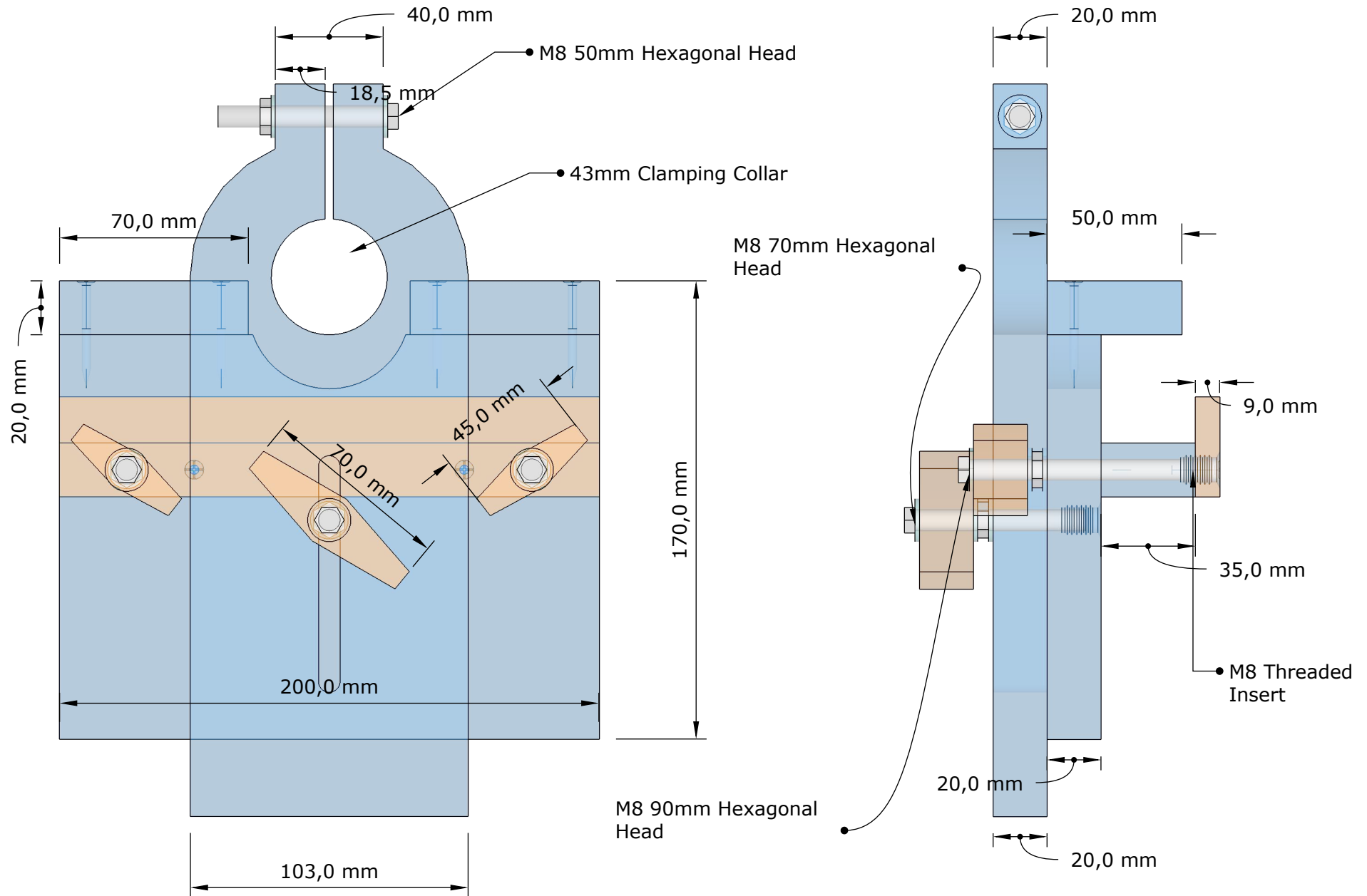
**Horizontal Router ISO**

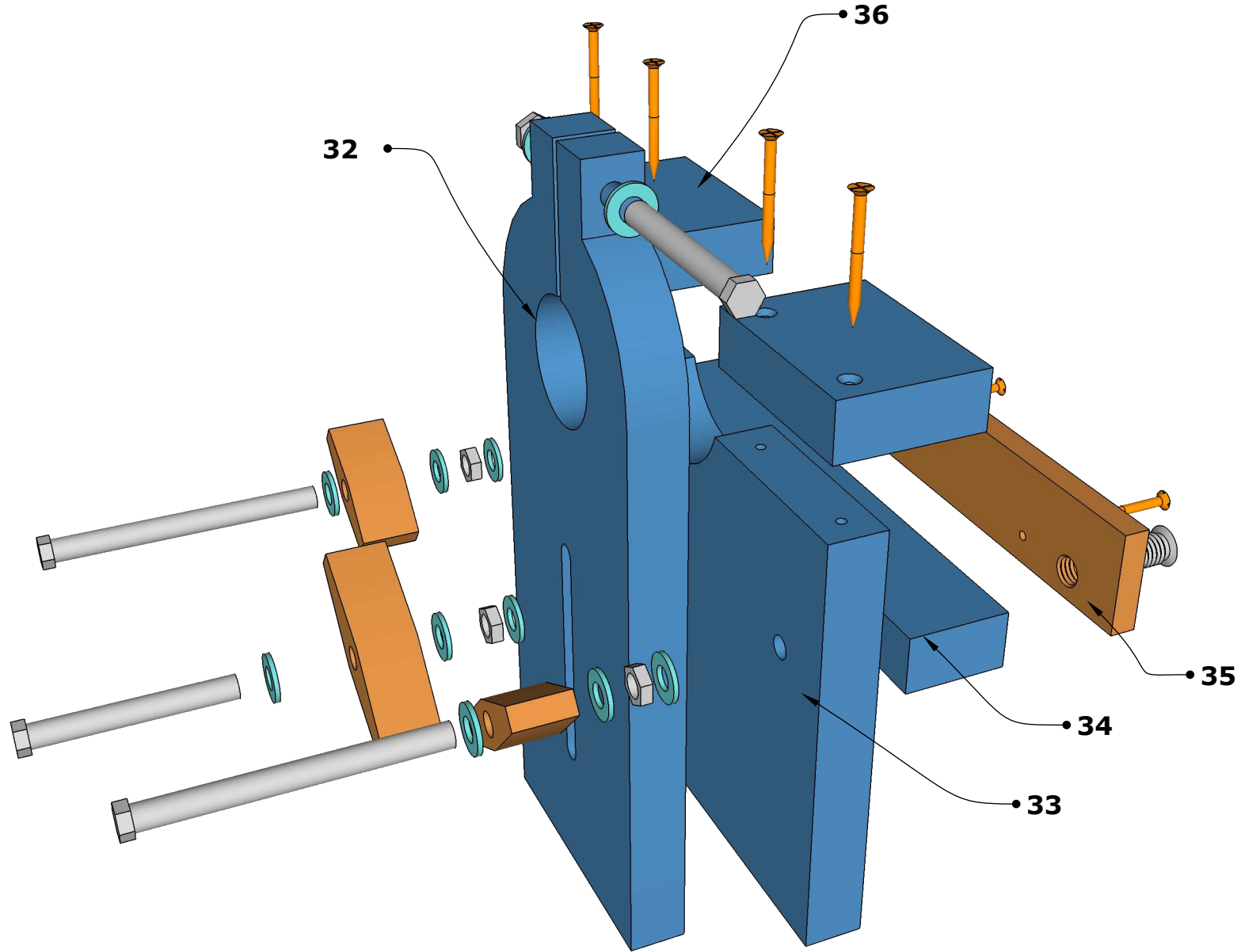


# Horizontal Router Top Full Scale

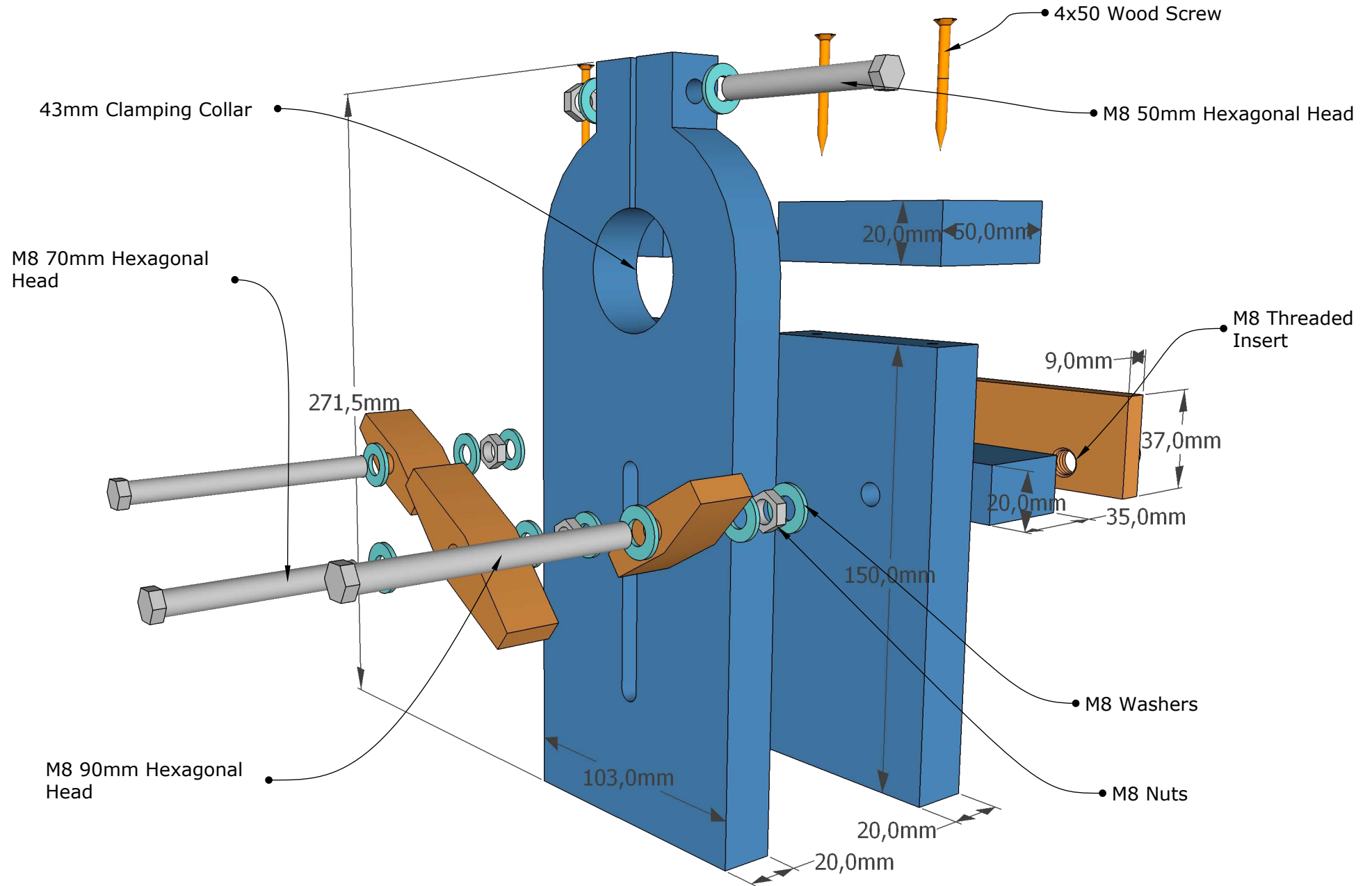


# Horizontal Router Front/Right 1/2 Scale

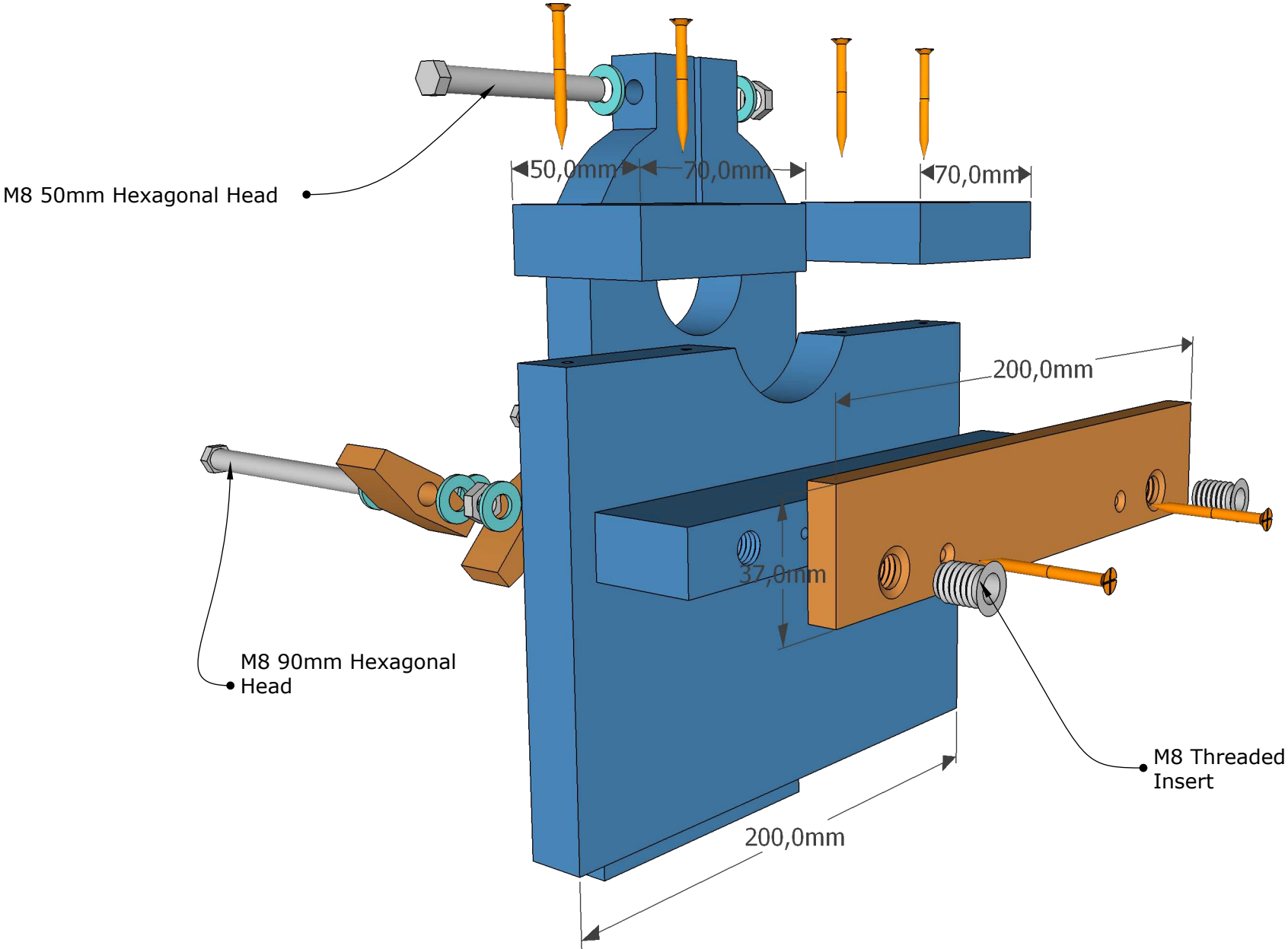




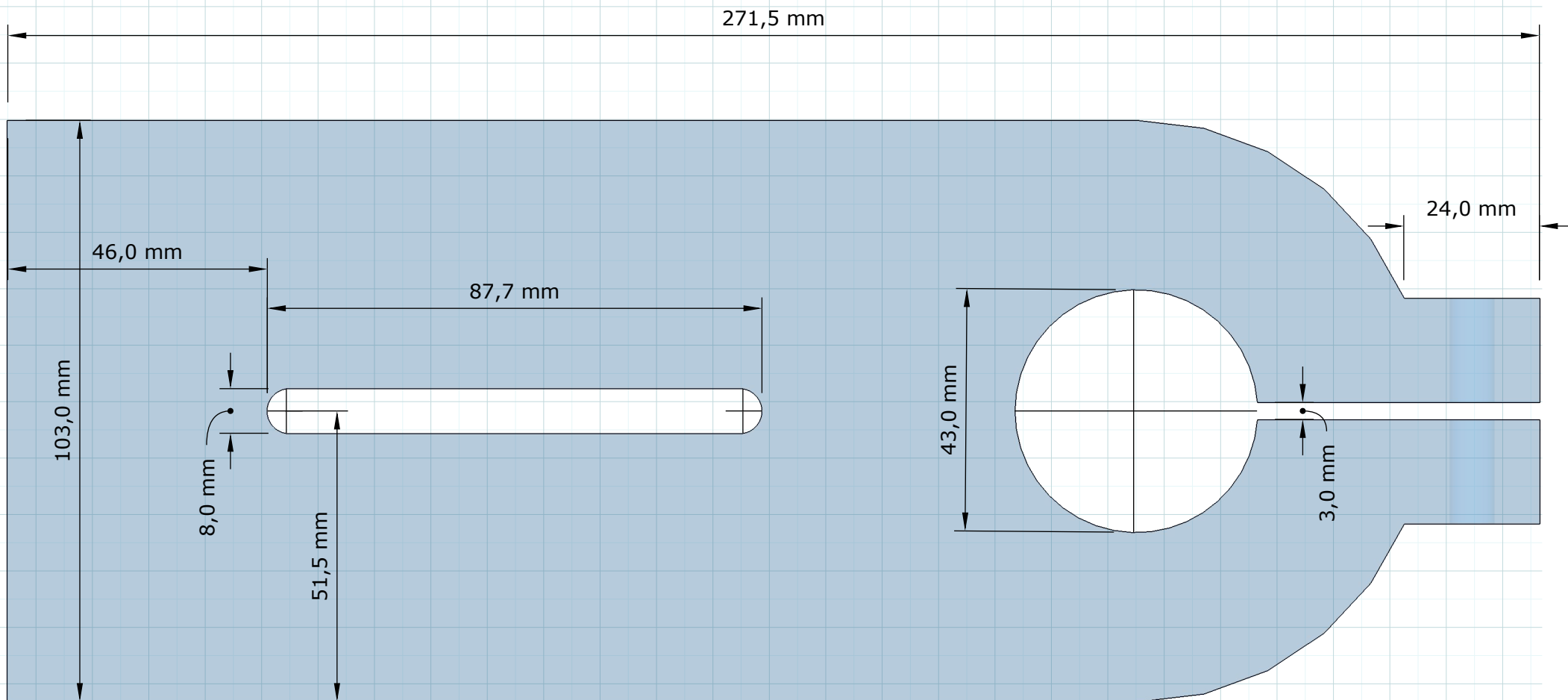
# Horizontal Router Exploded1



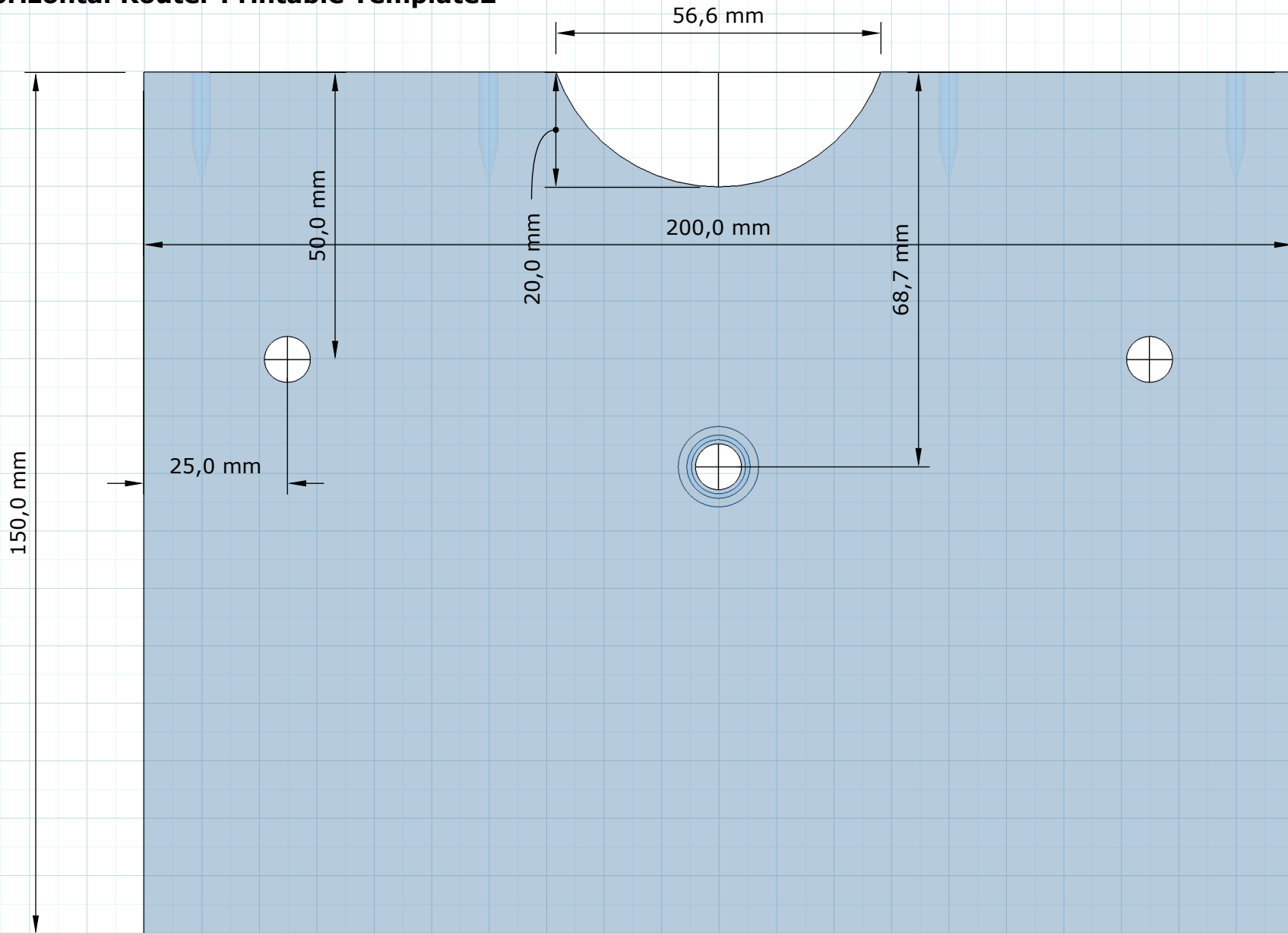
# Horizontal Router Exploded2



# Horizontal Router Printable Template1



# Horizontal Router Printable Template2





# Horizontal Router Printable Template3

