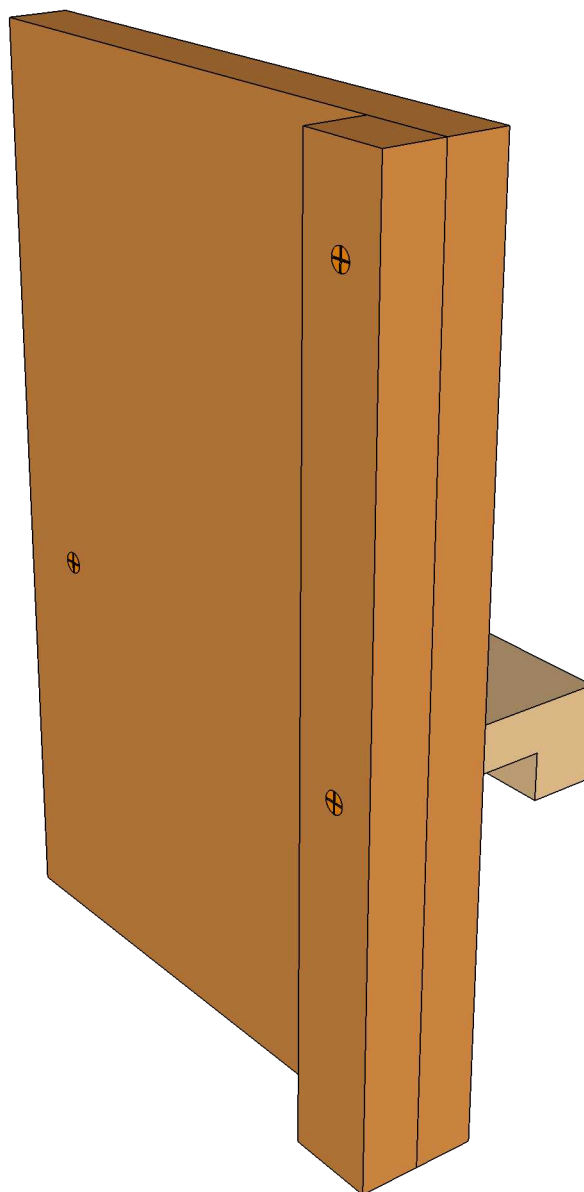
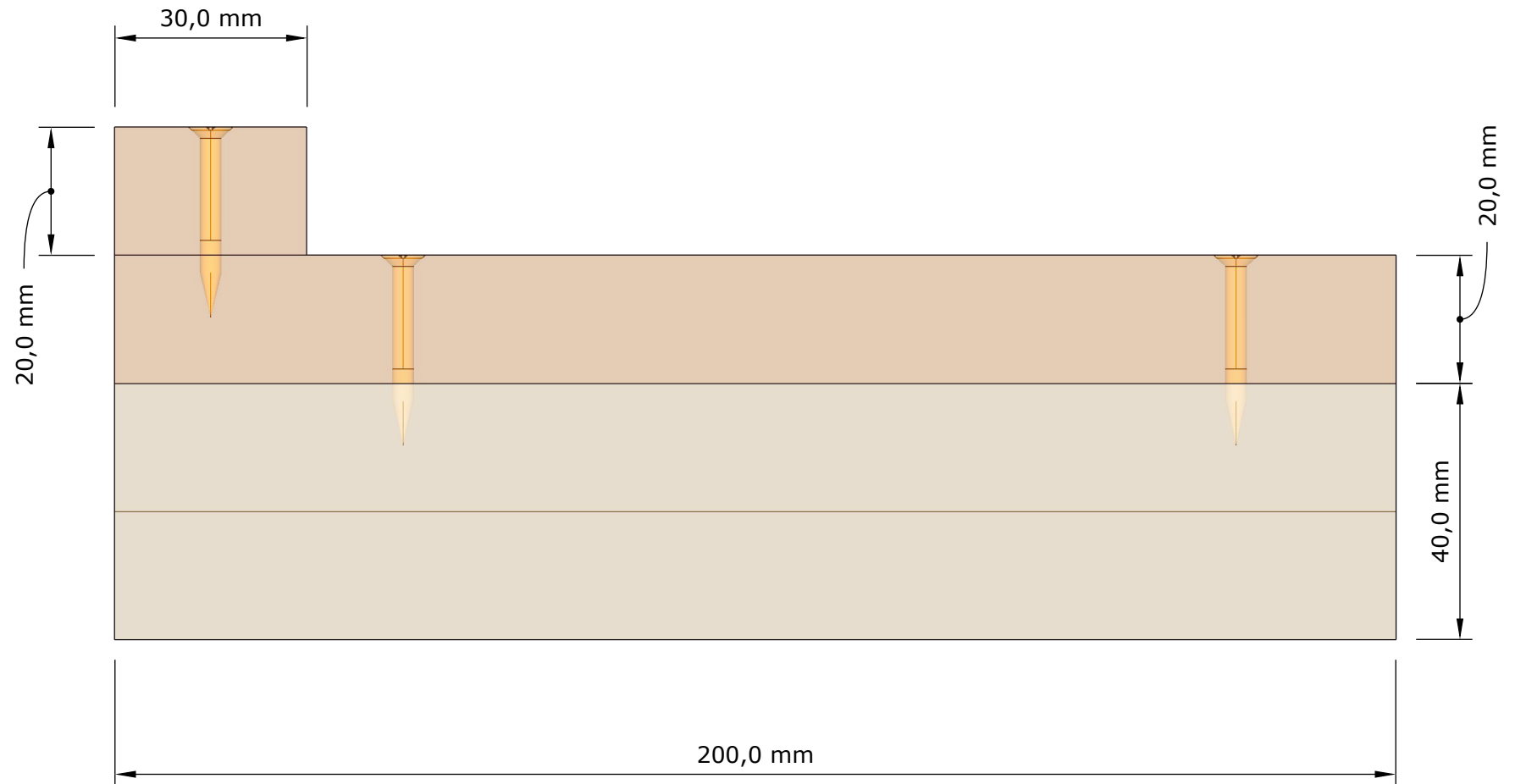


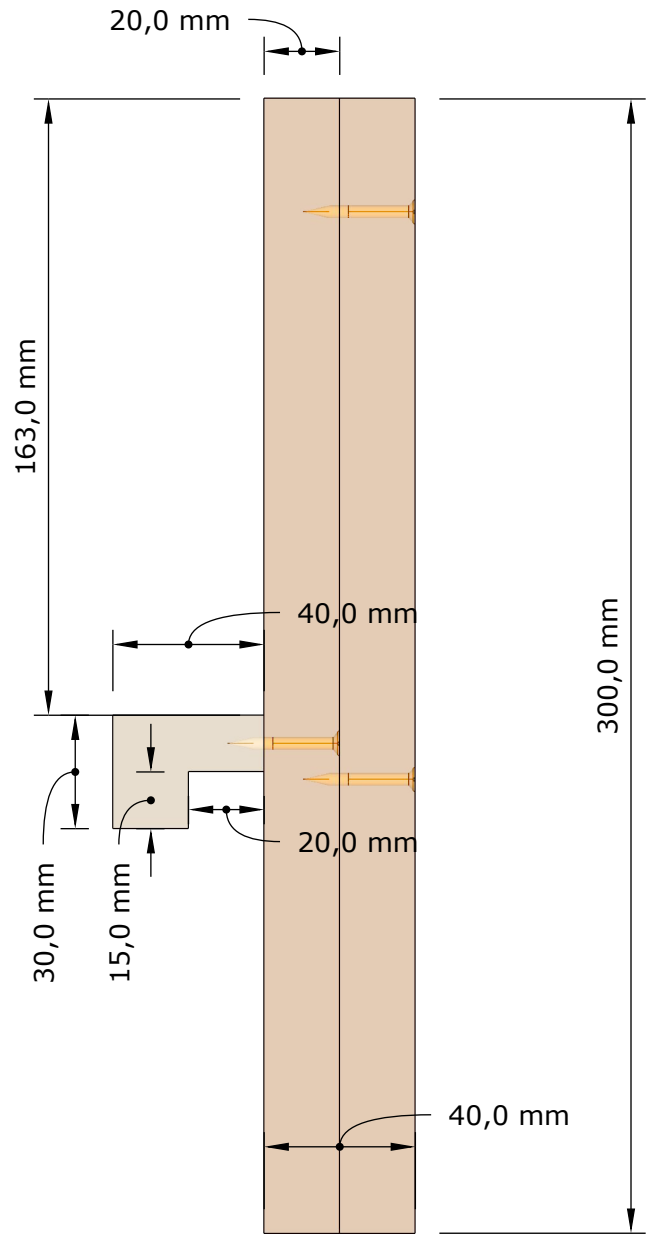
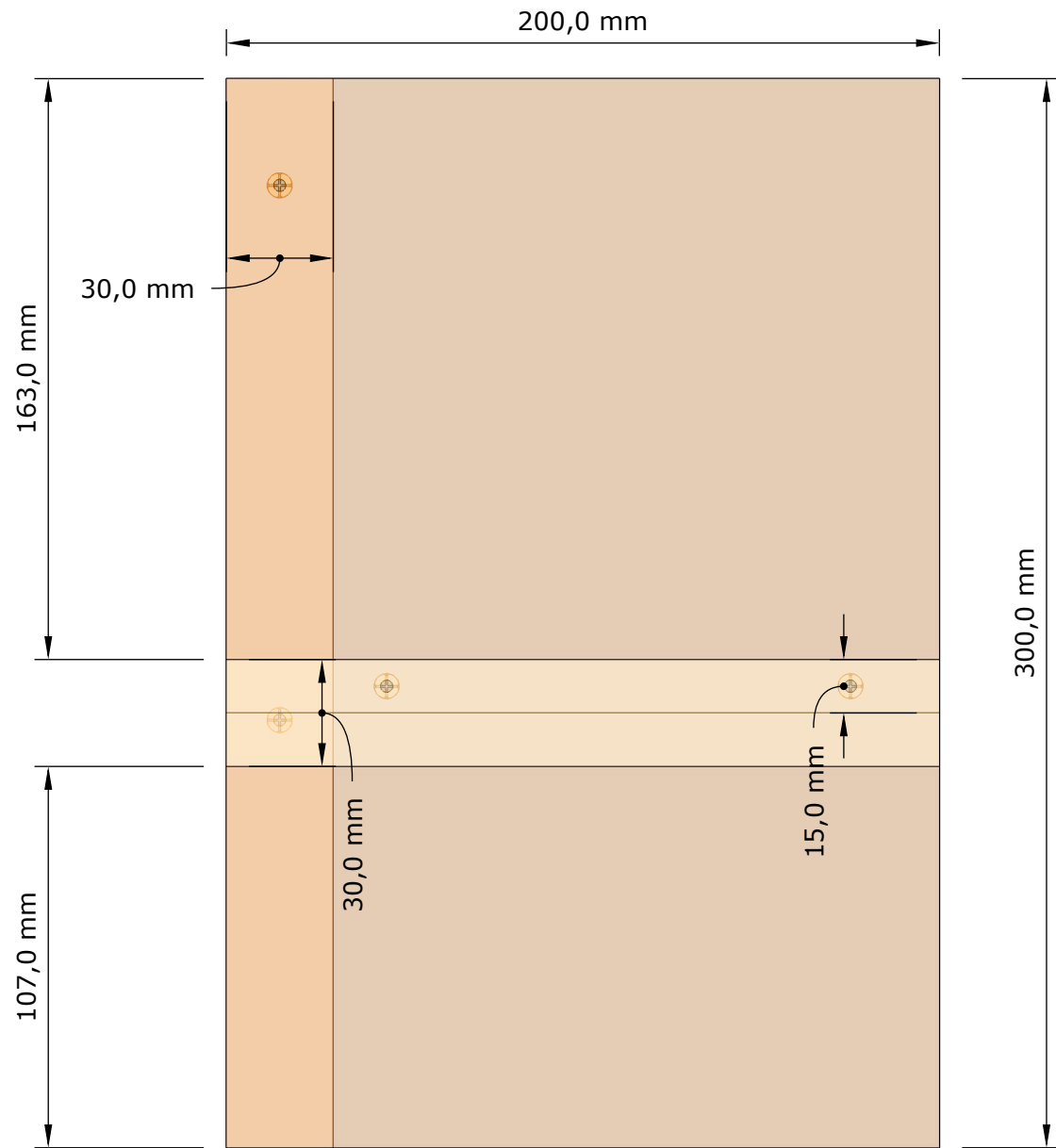
Tenon Jig ISO

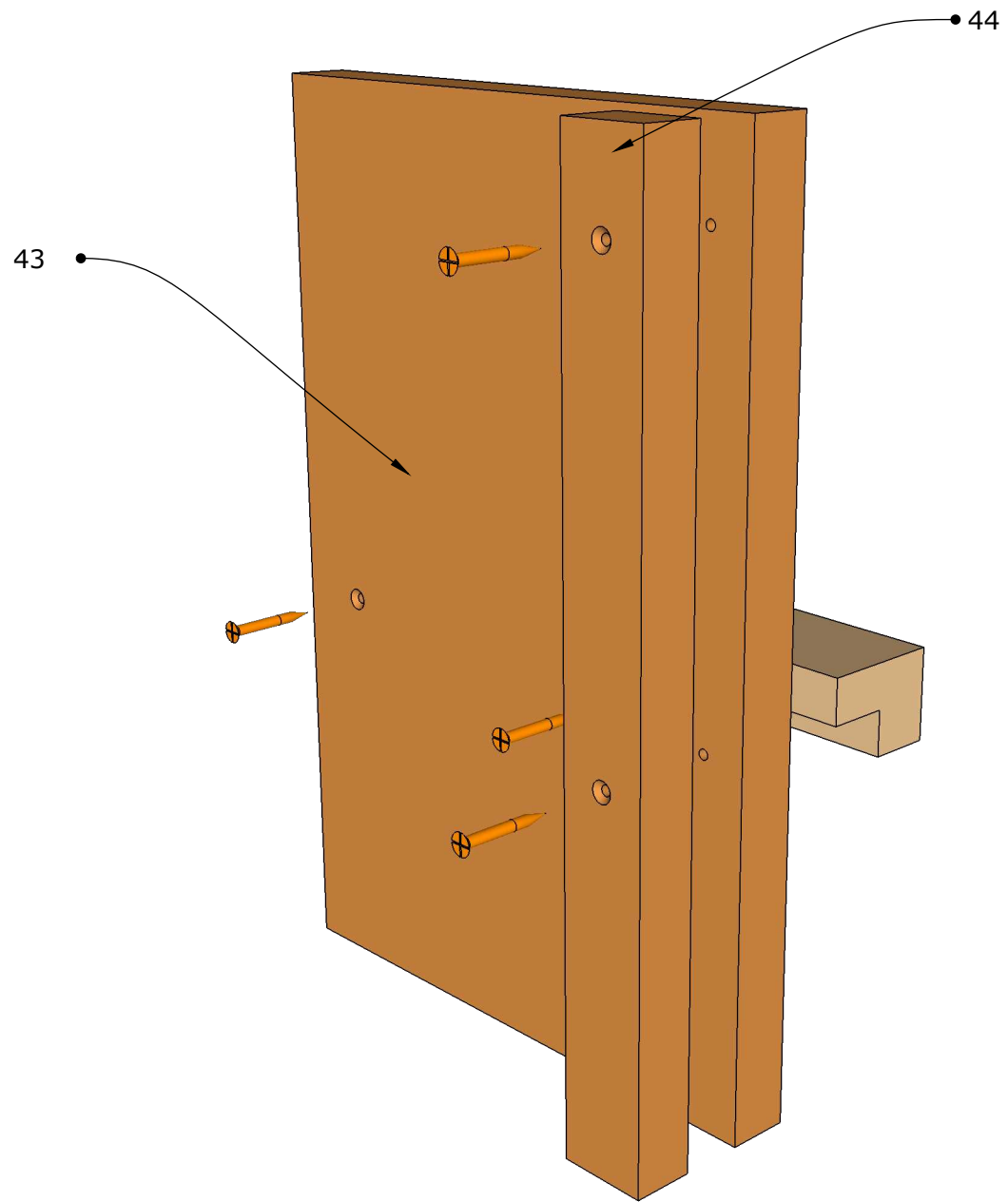


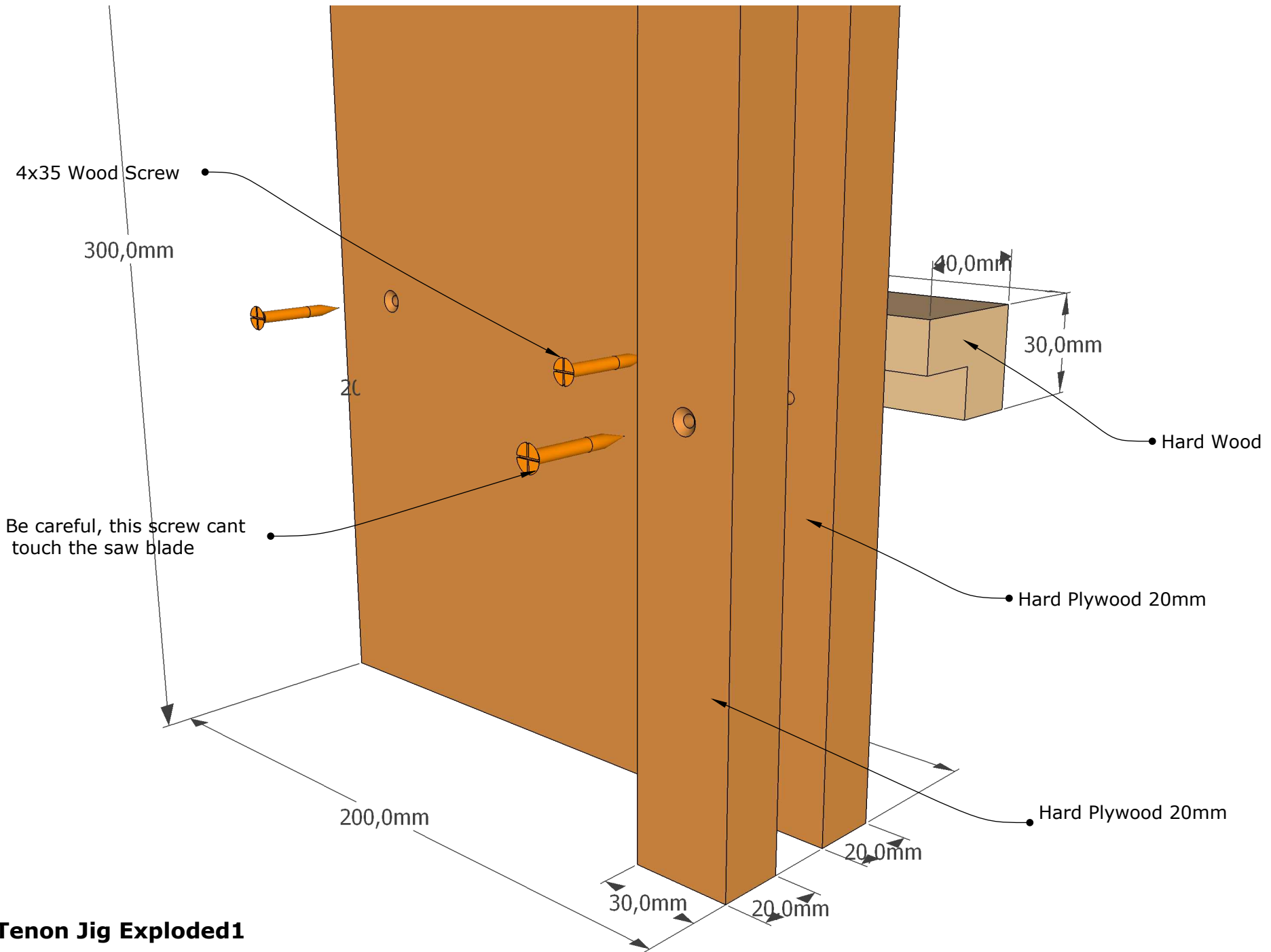
Tenon Jig Top Full Scale



Tenon Jig Front/Right 1/2 Scale

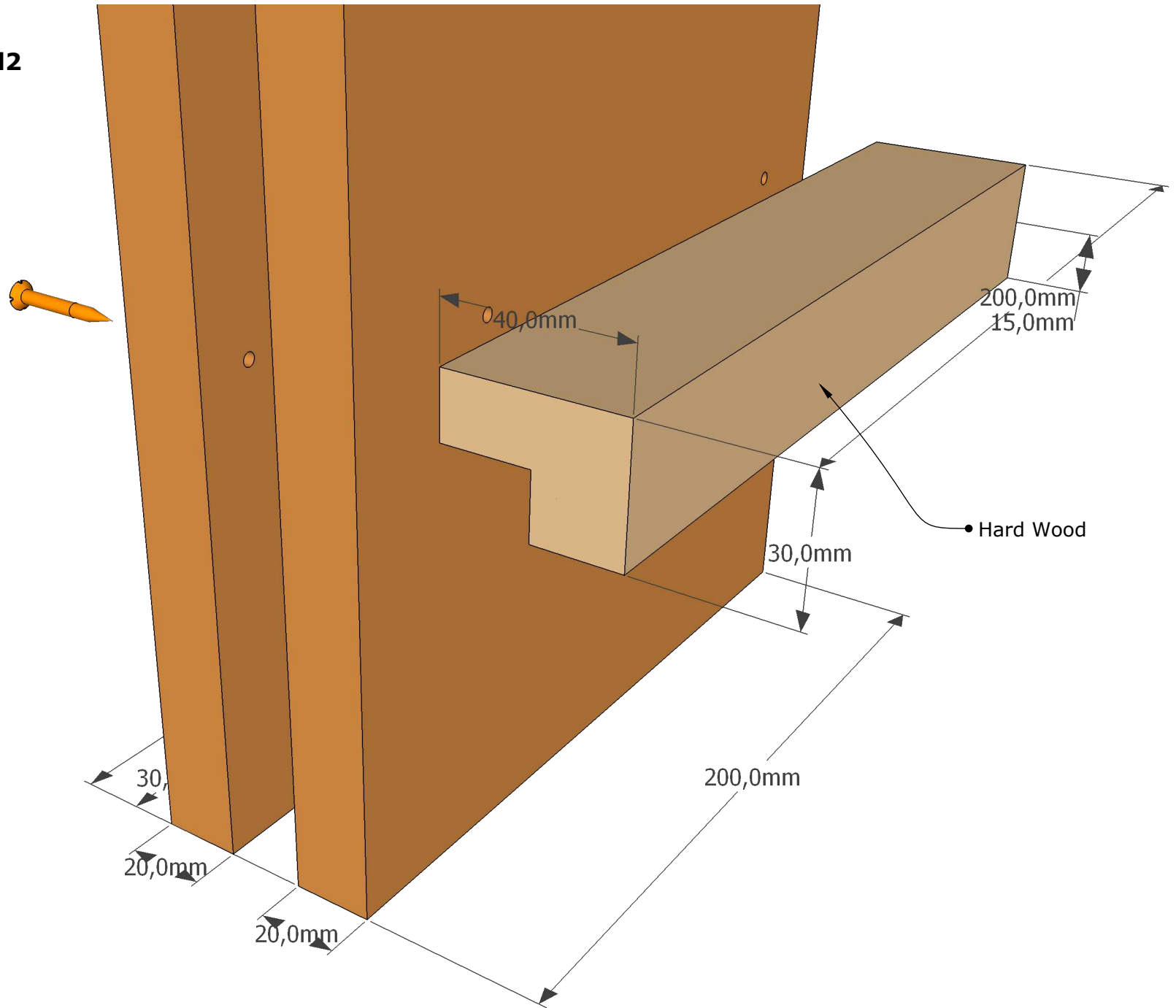




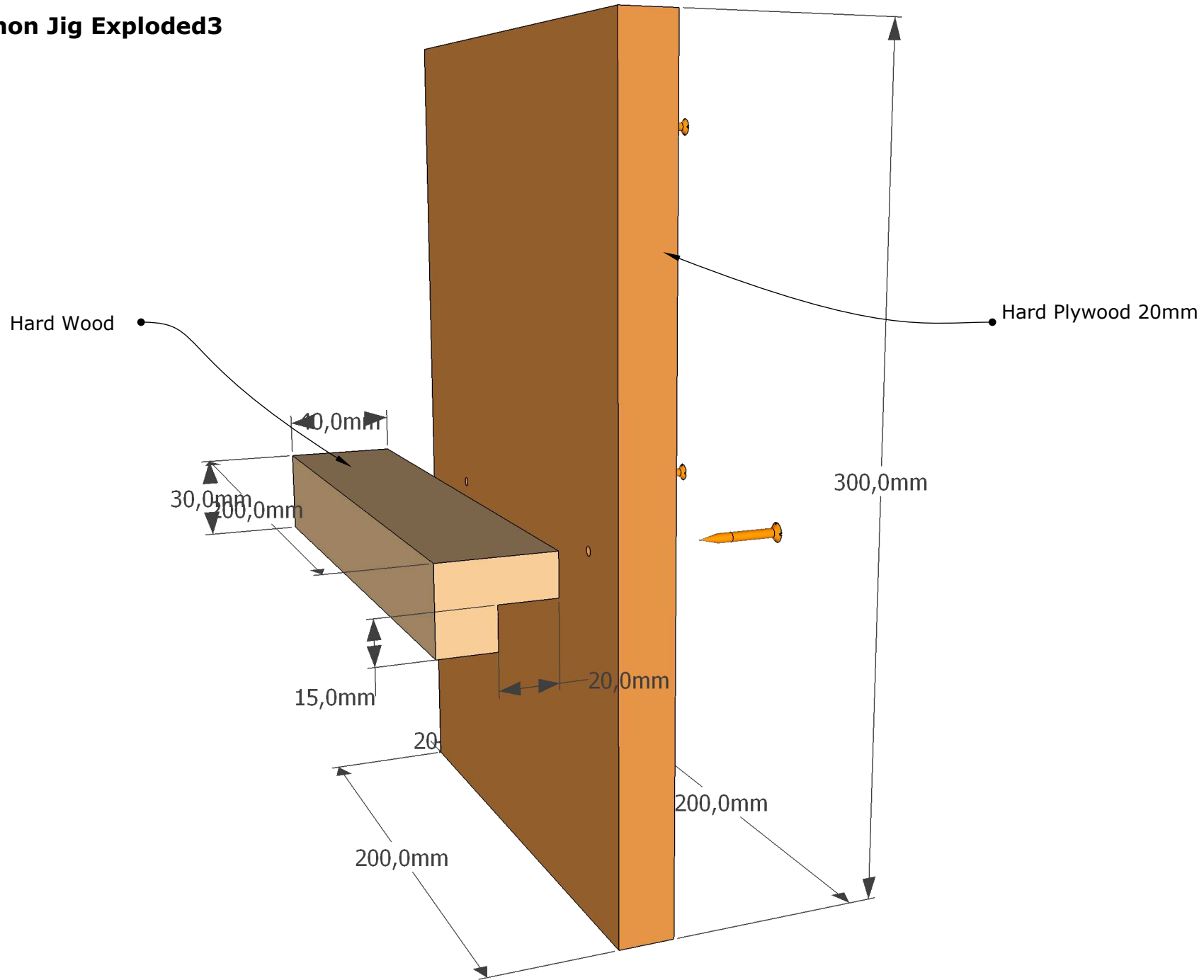


Tenon Jig Exploded1

Tenon Jig Exploded2



Tenon Jig Exploded3

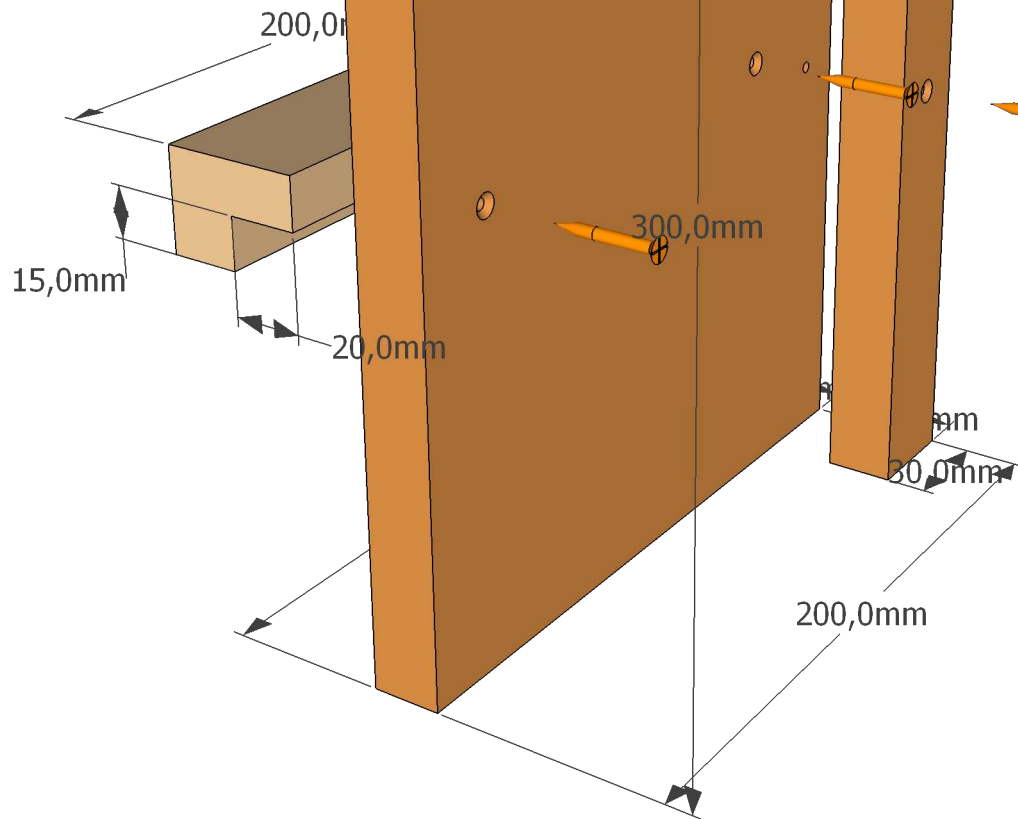


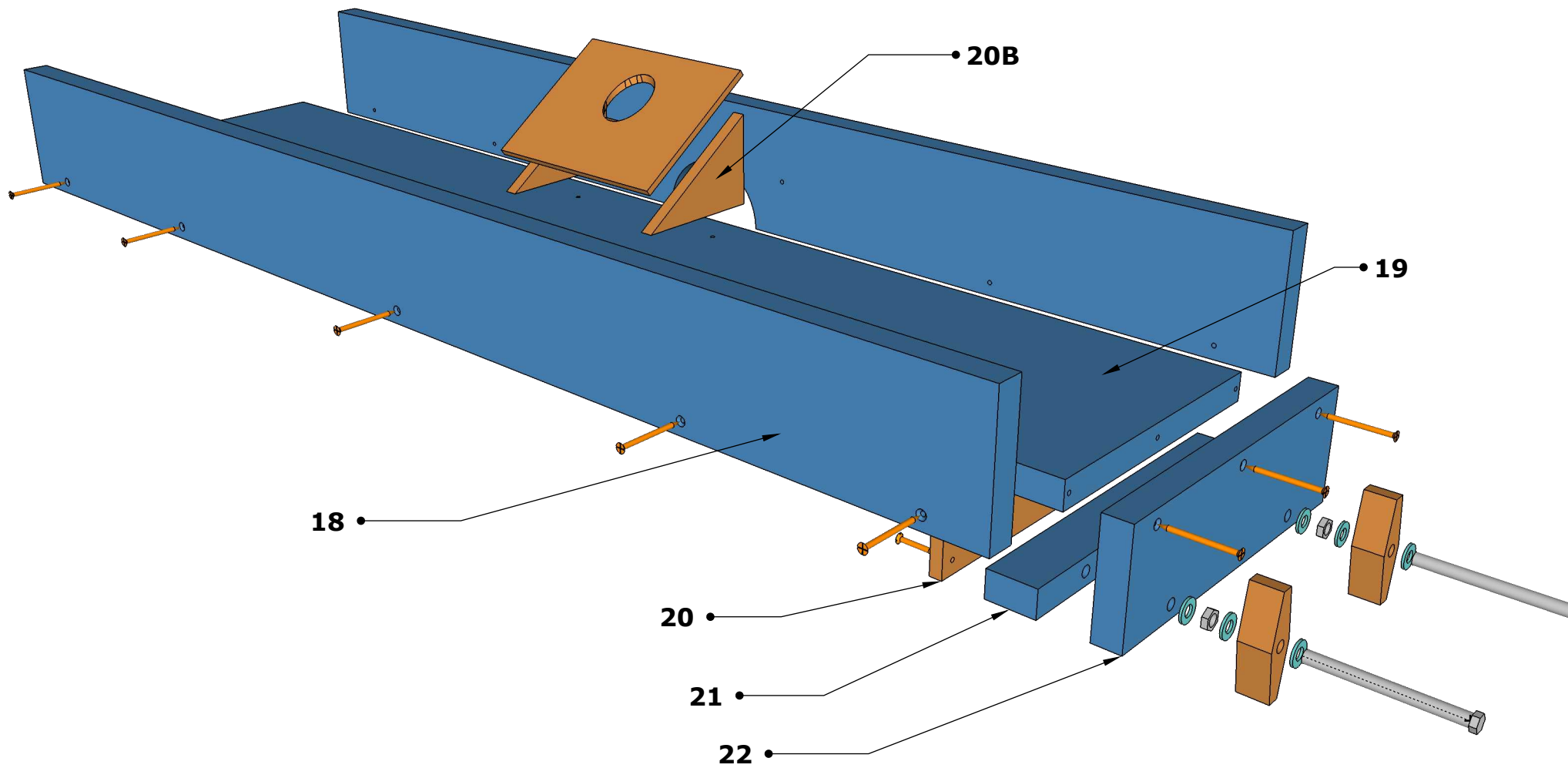
Tenon Jig Exploded4

Hard Plywood 20mm

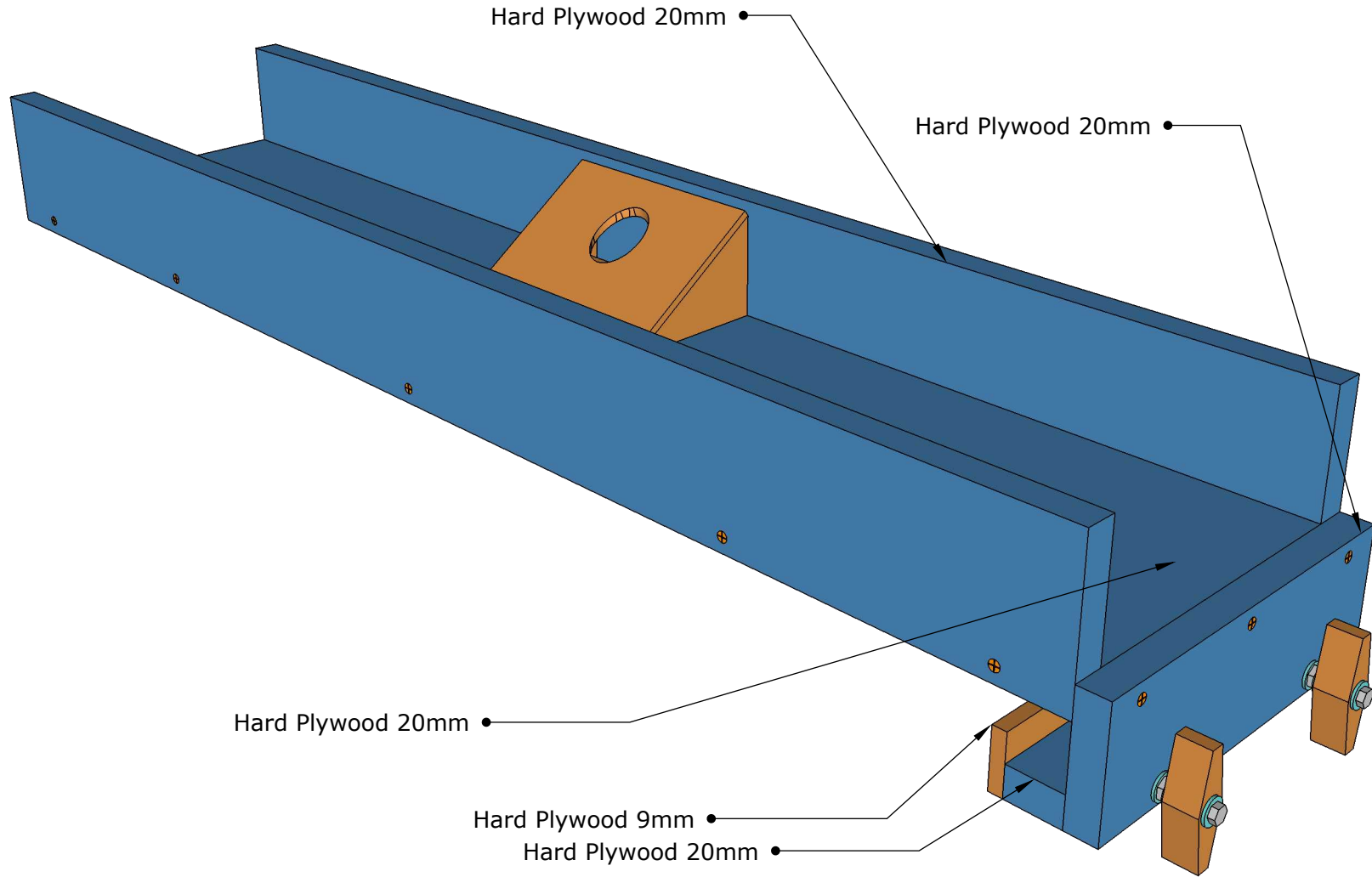
4x35 Wood Screw

Hard Plywood 20mm



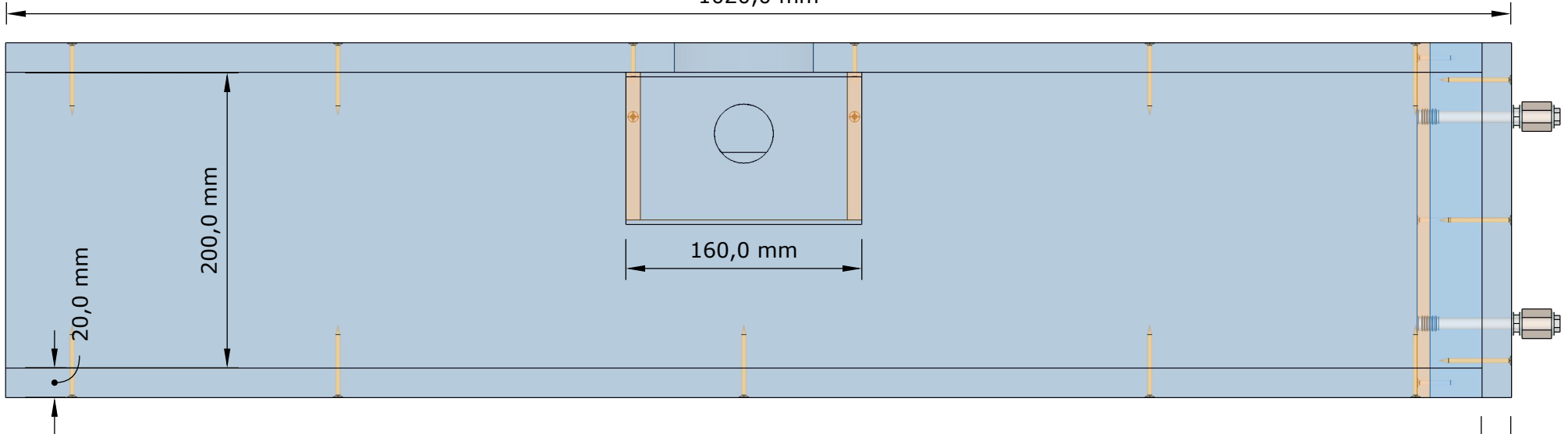


Fence ISO

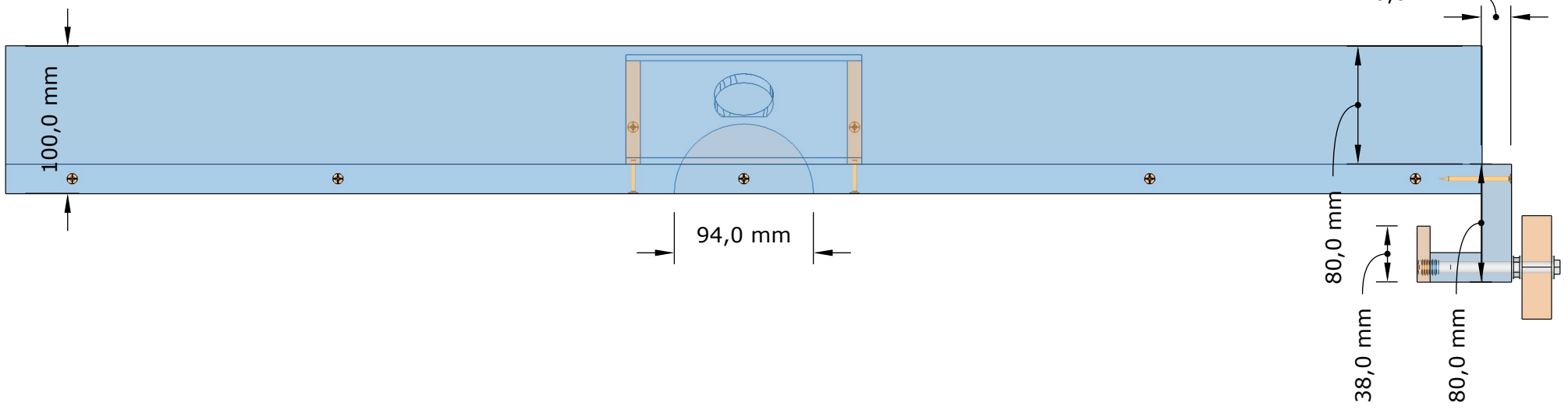


Fence Top/Front X Ray 1/4Scale

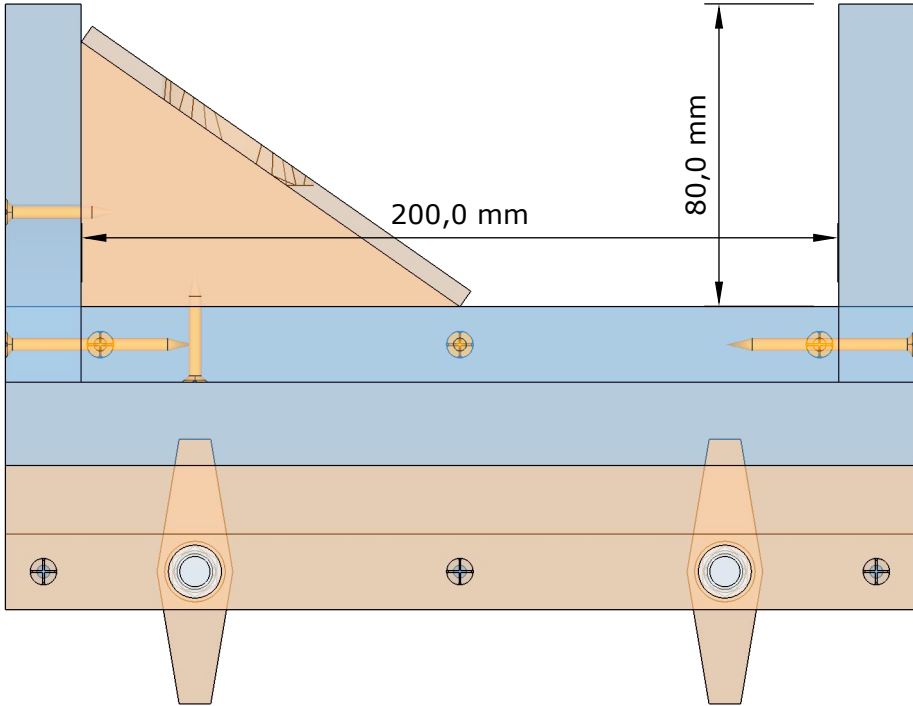
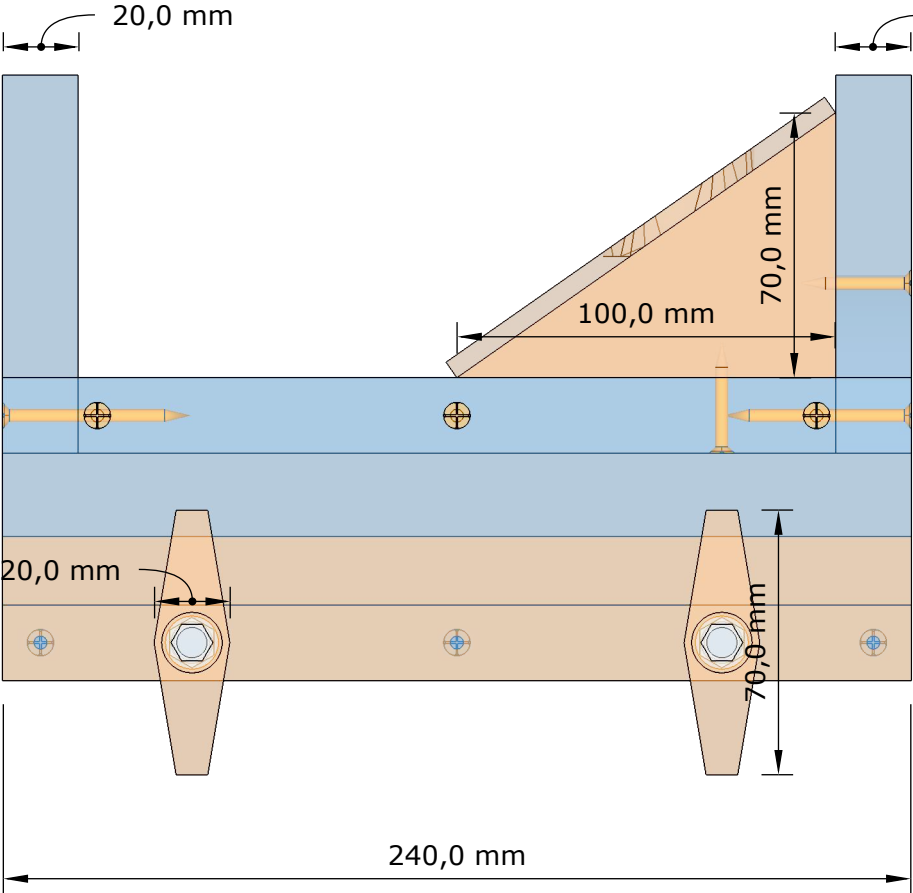
1020,0 mm

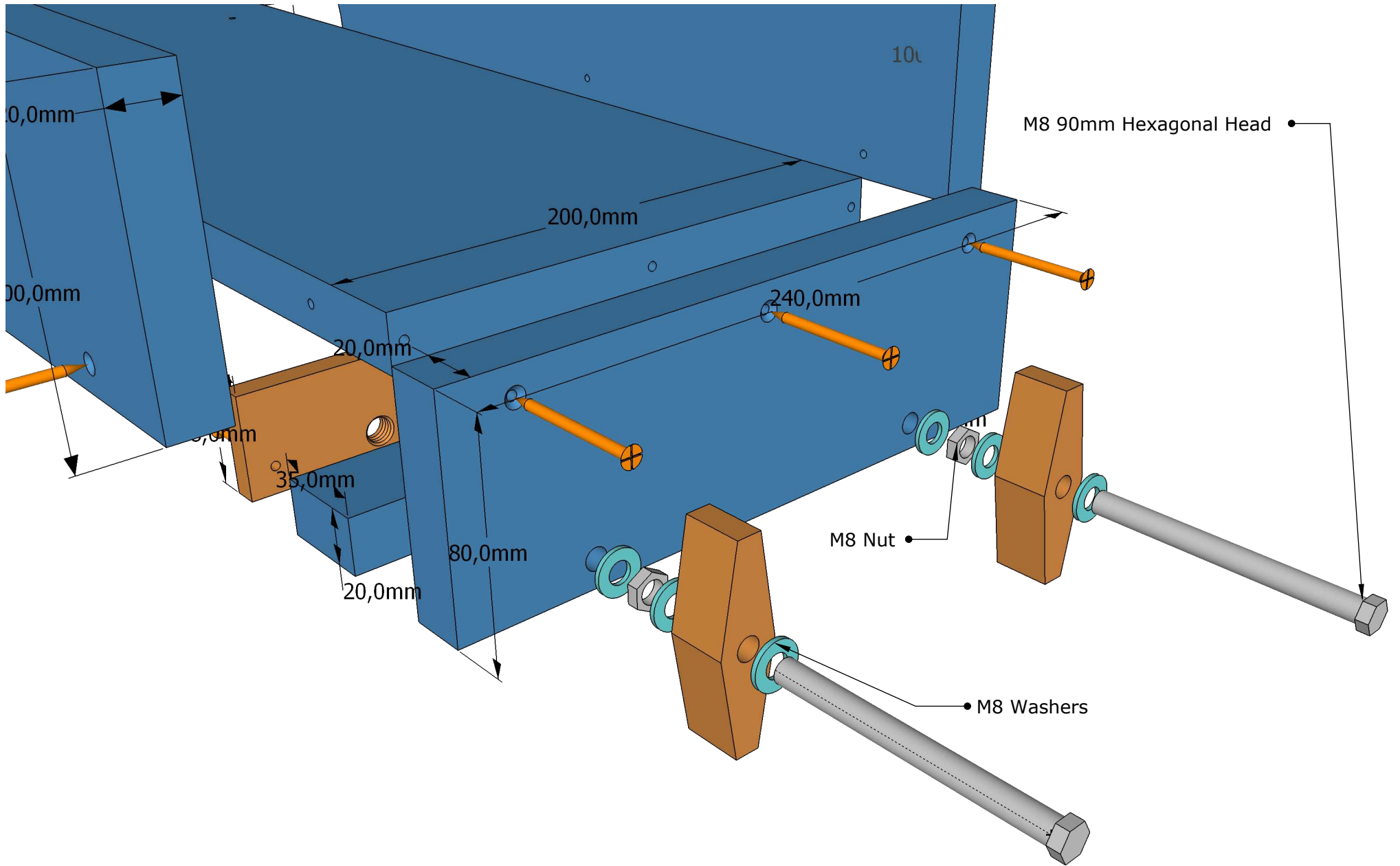


20,0 mm



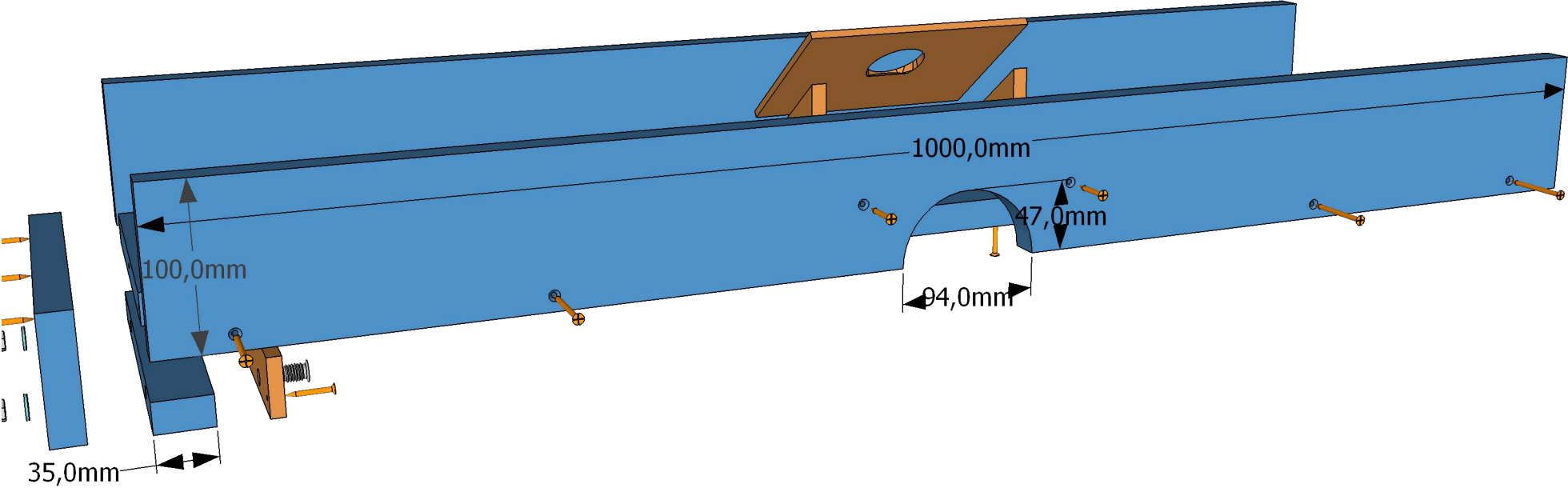
Fence Right/Left 1/4Scale



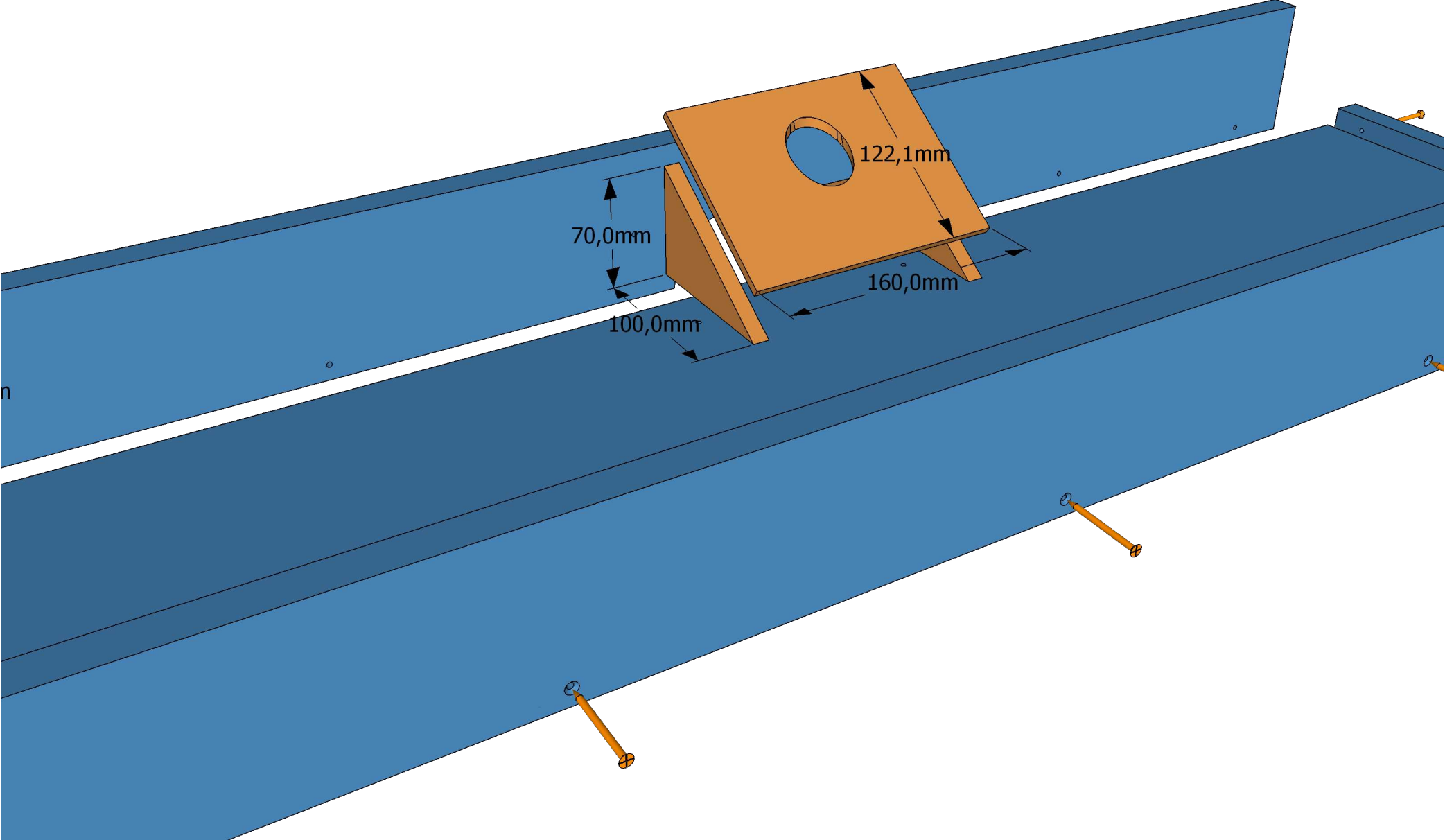


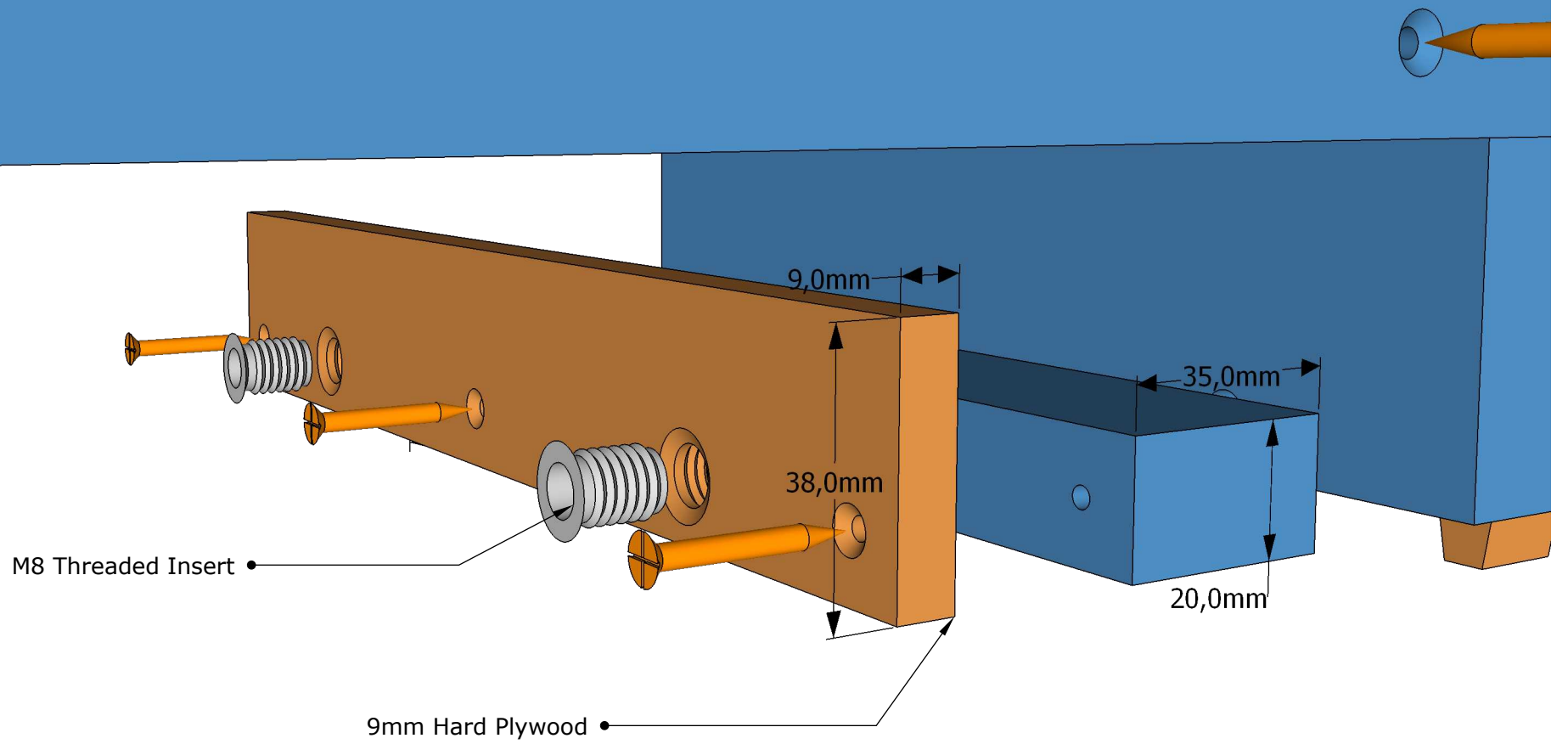
Fence ISO Exploded1

Fence ISO Exploded2



Fence ISO Exploded3





Fence ISO Exploded4

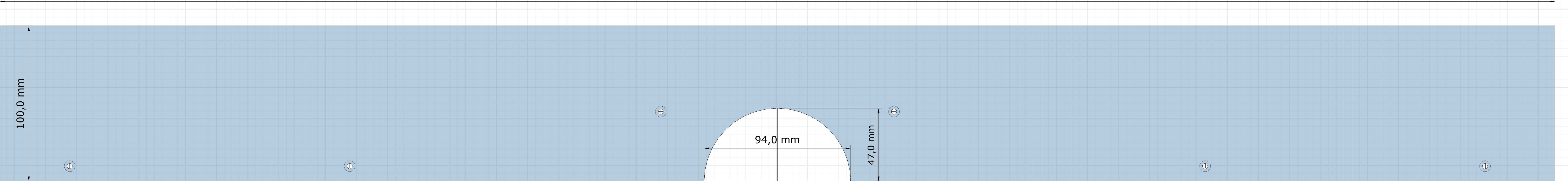
Fence Printable Template

1000,0 mm

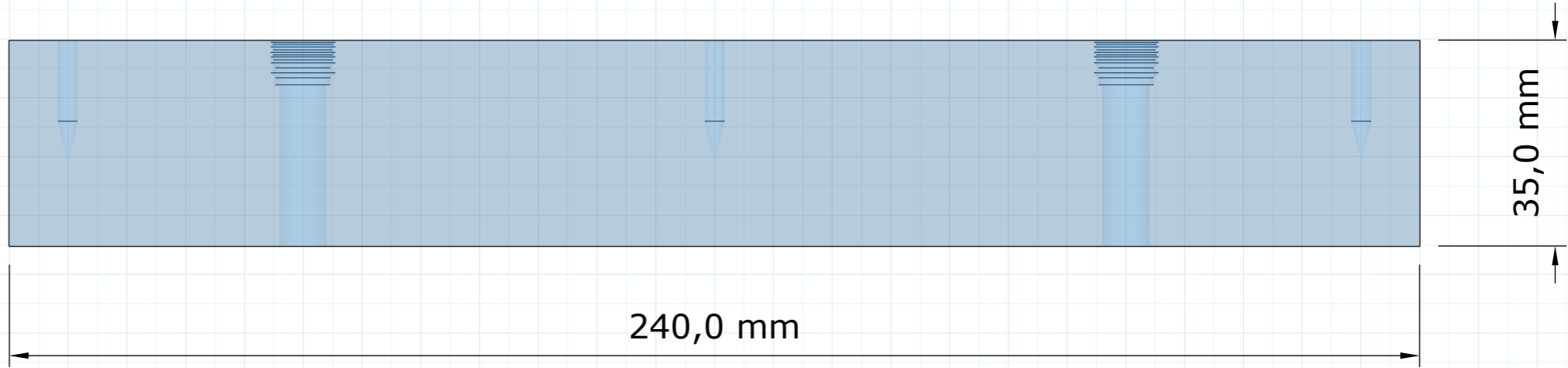
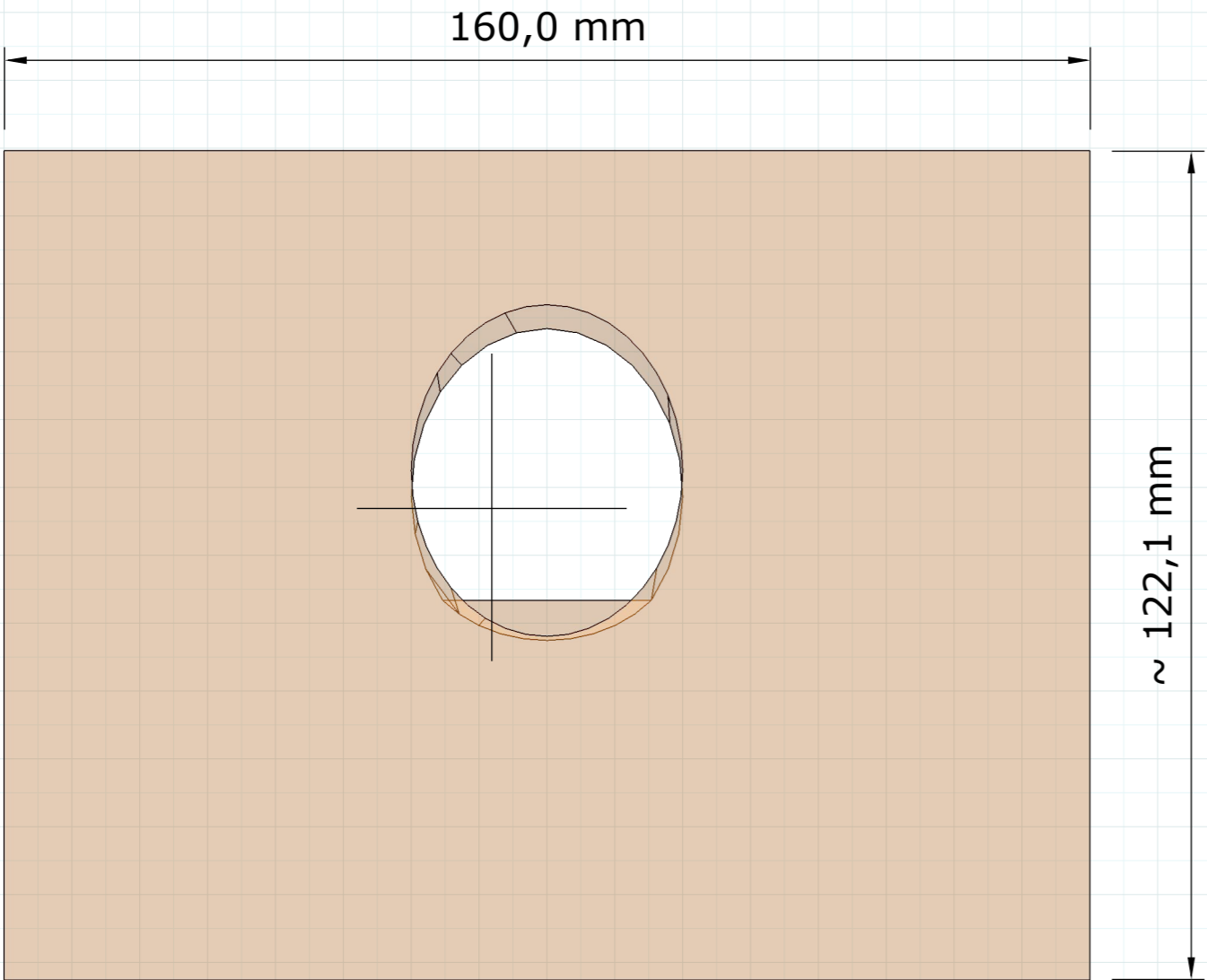
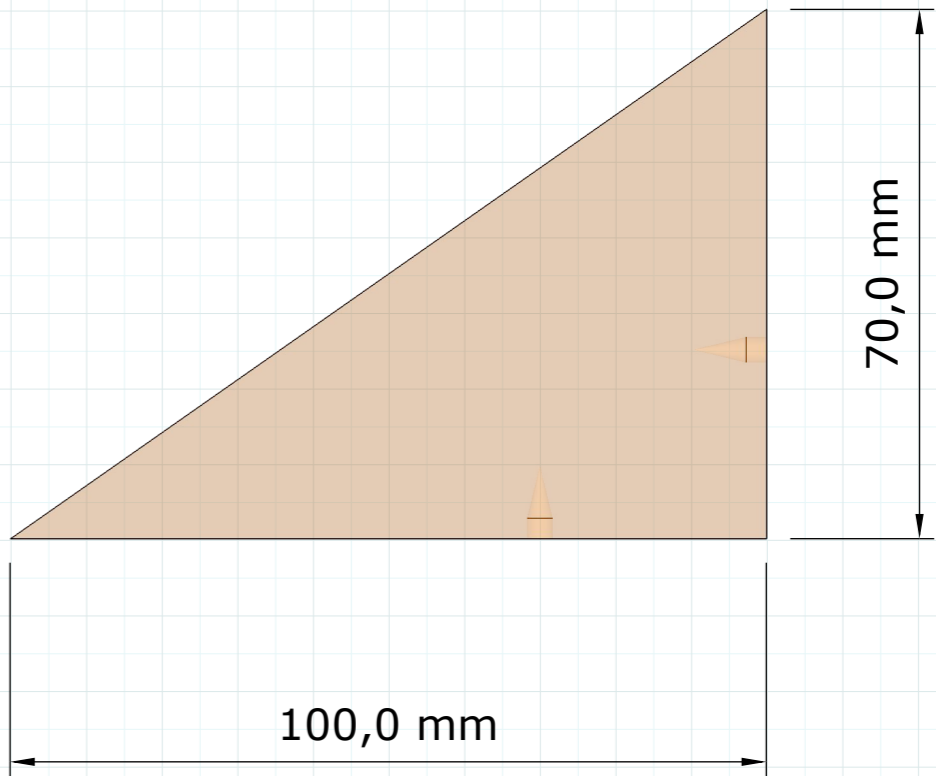
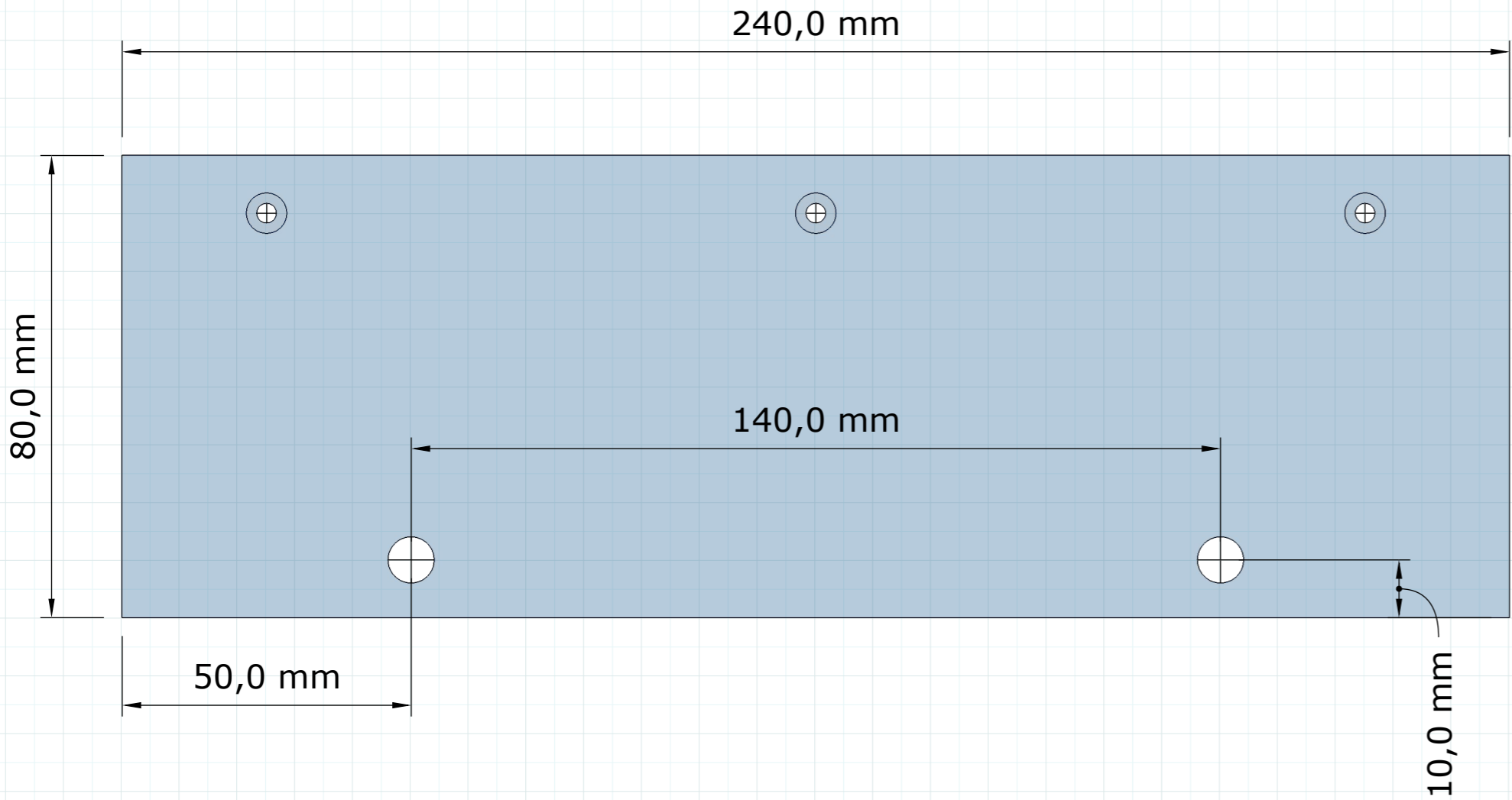
100,0 mm

94,0 mm

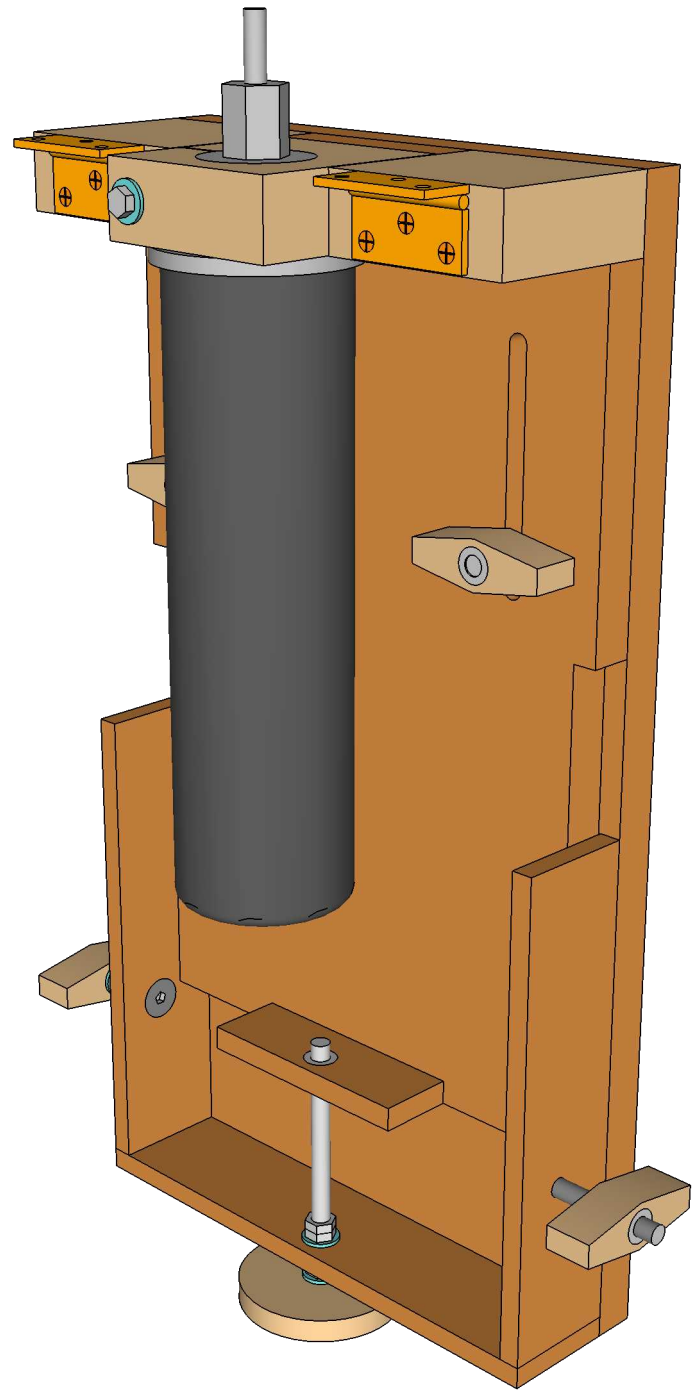
47,0 mm



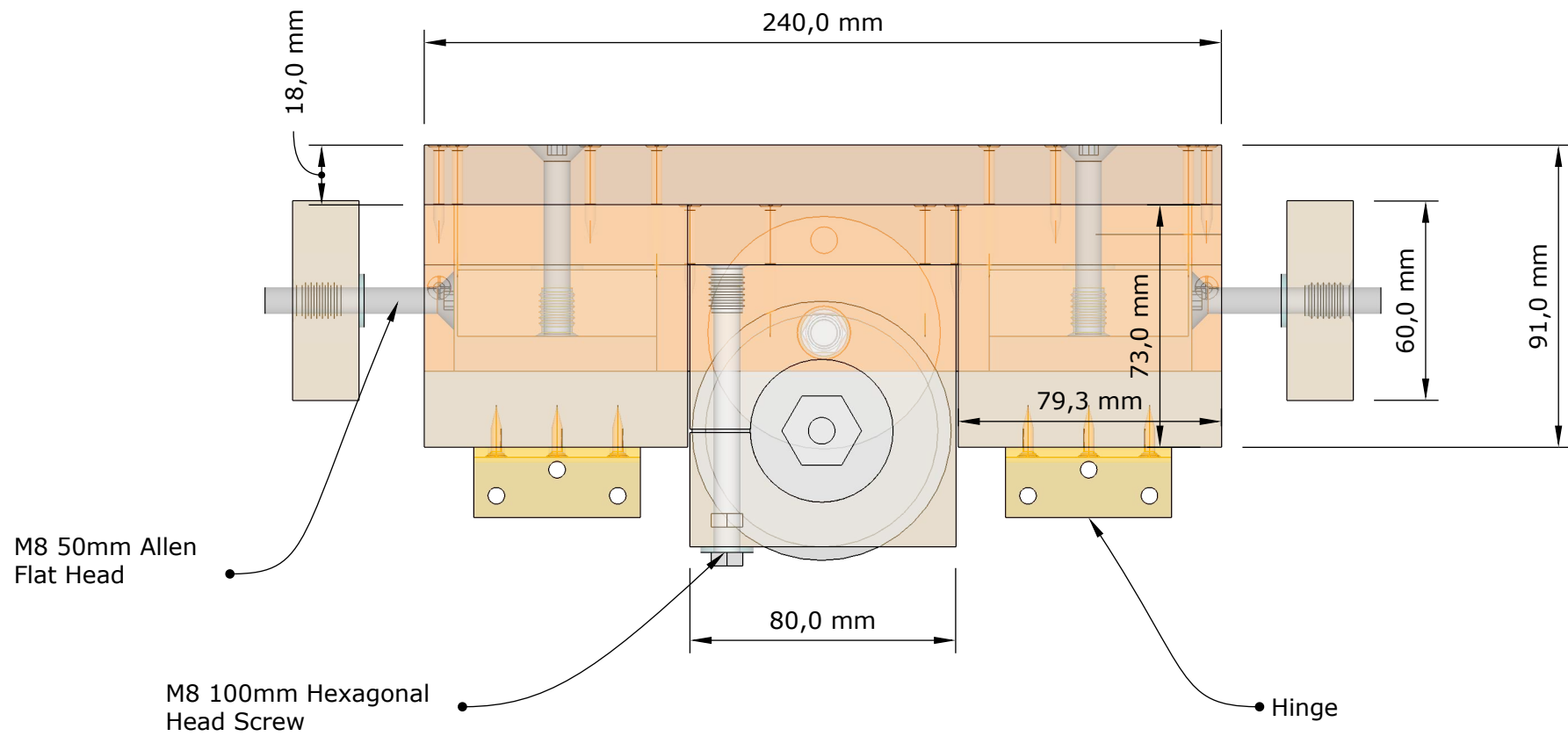
Fence Printable Template2



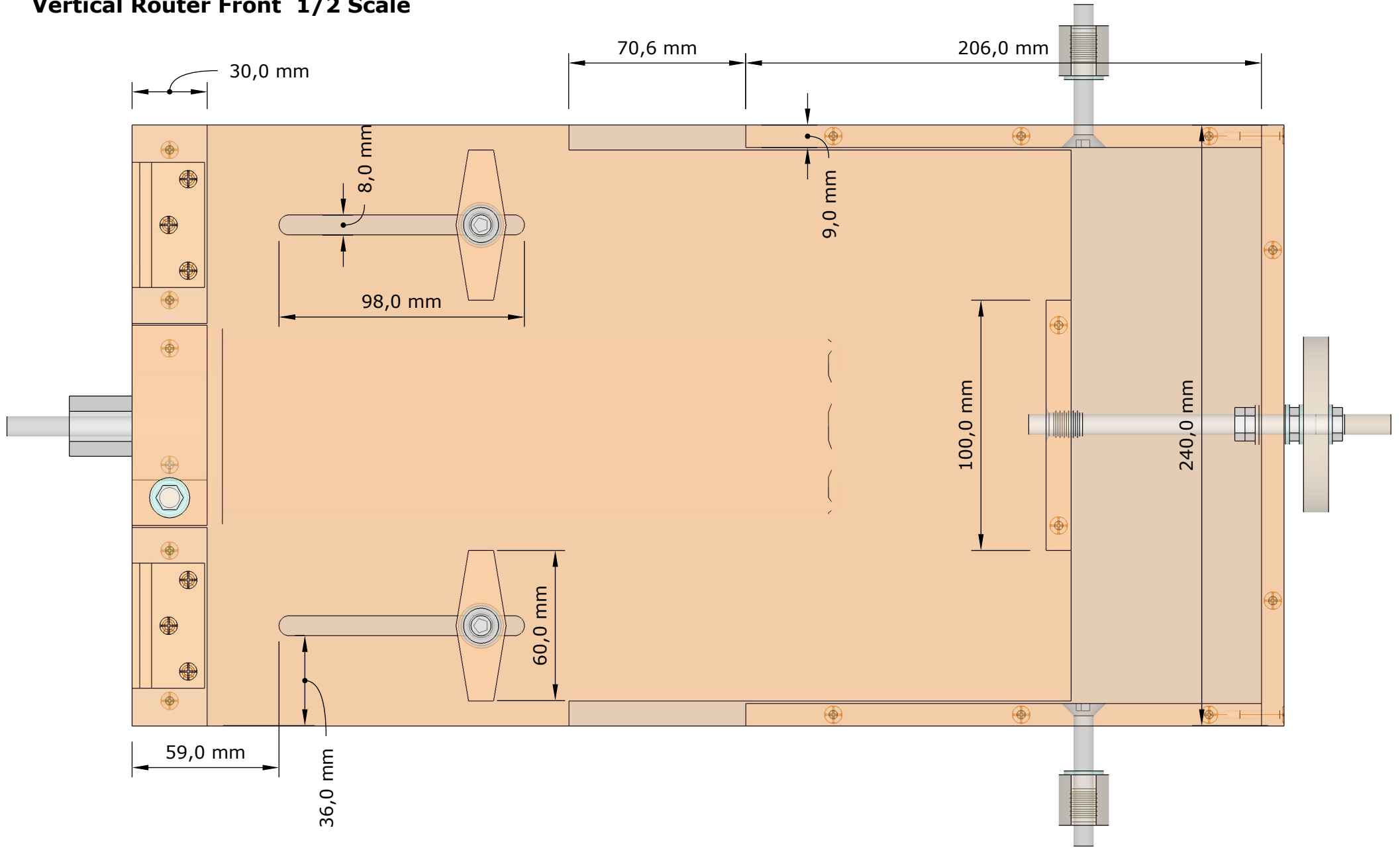
Vertical Router ISO



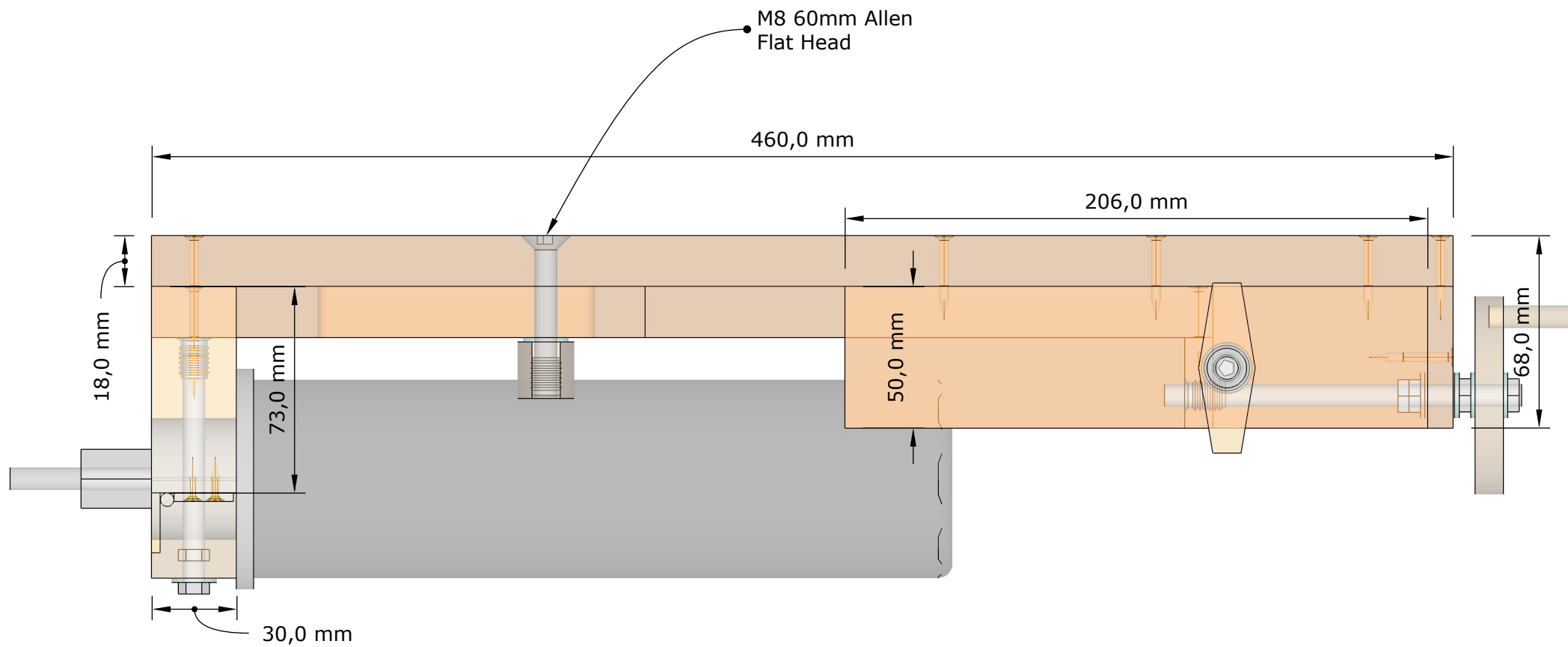
Vertical Router Top 1/2 Scale

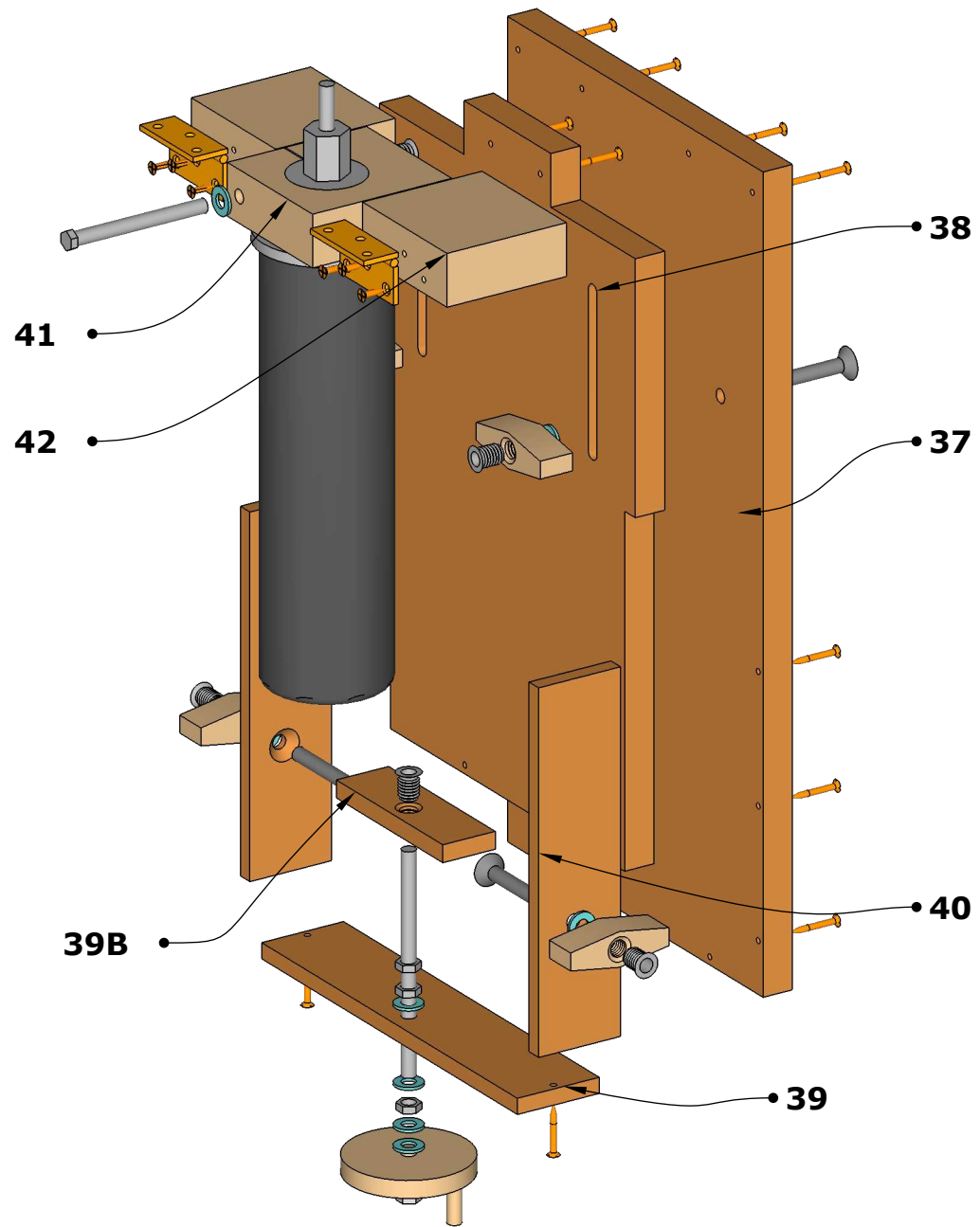


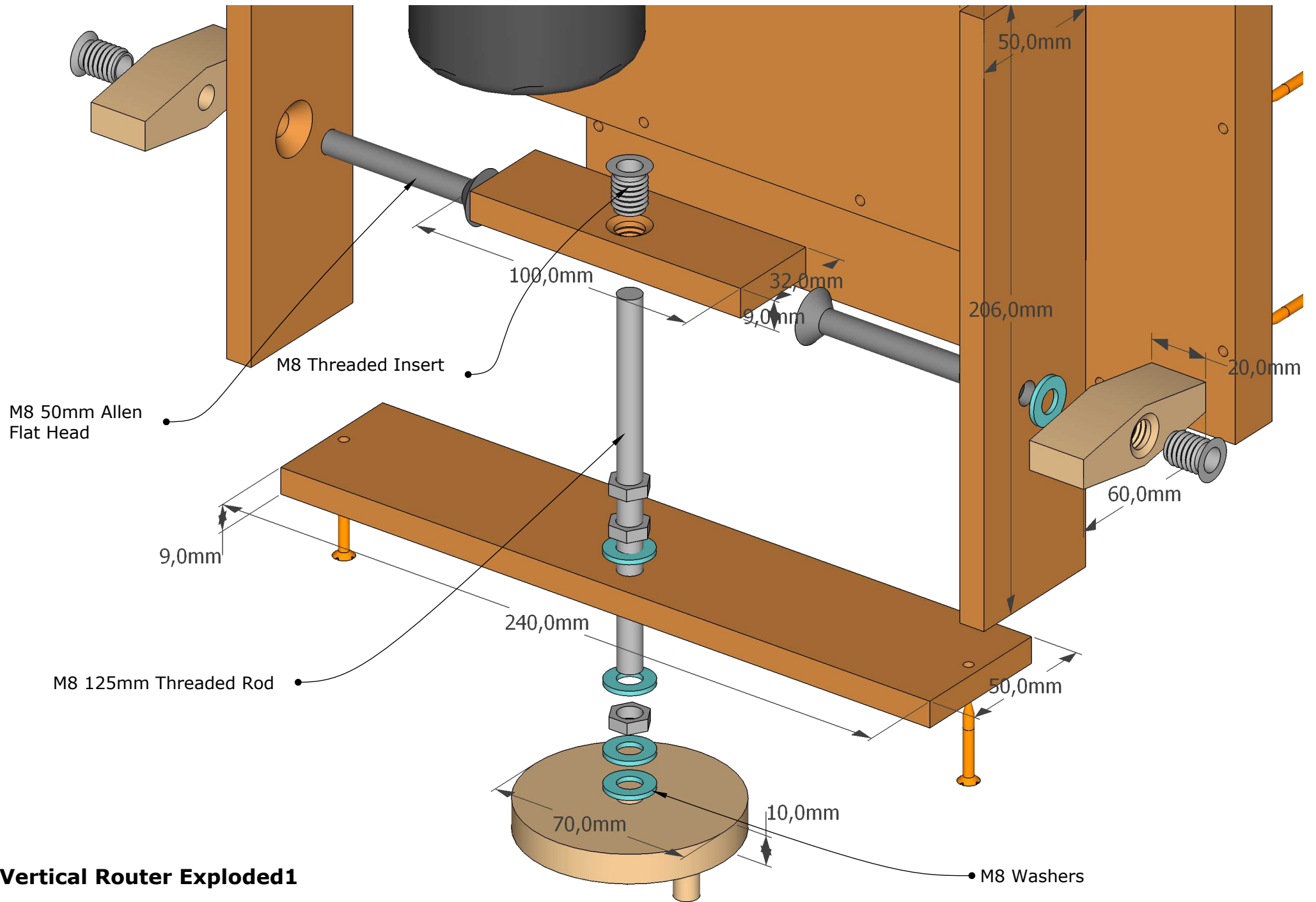
Vertical Router Front 1/2 Scale

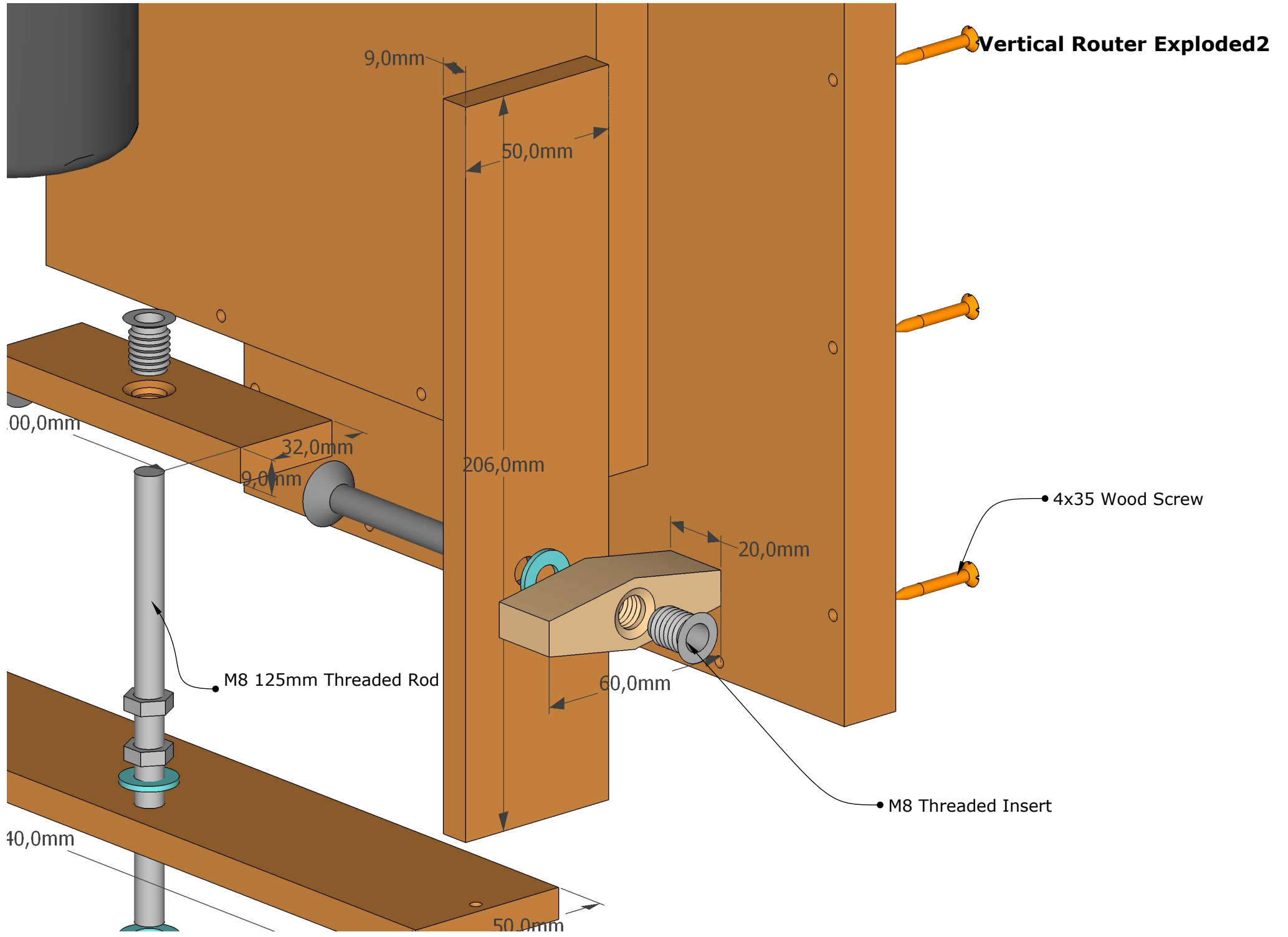


Vertical Router Right 1/2 Scale

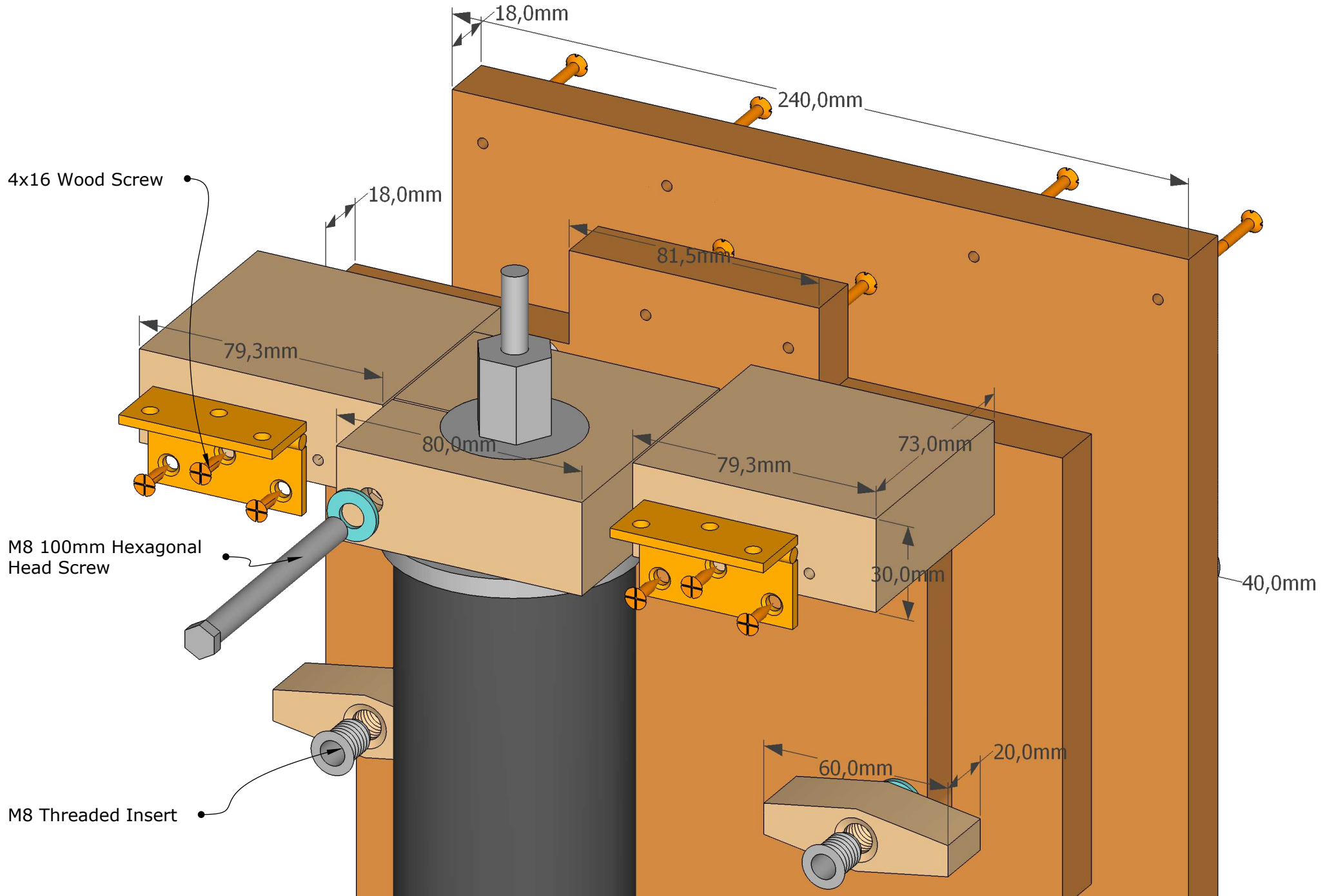




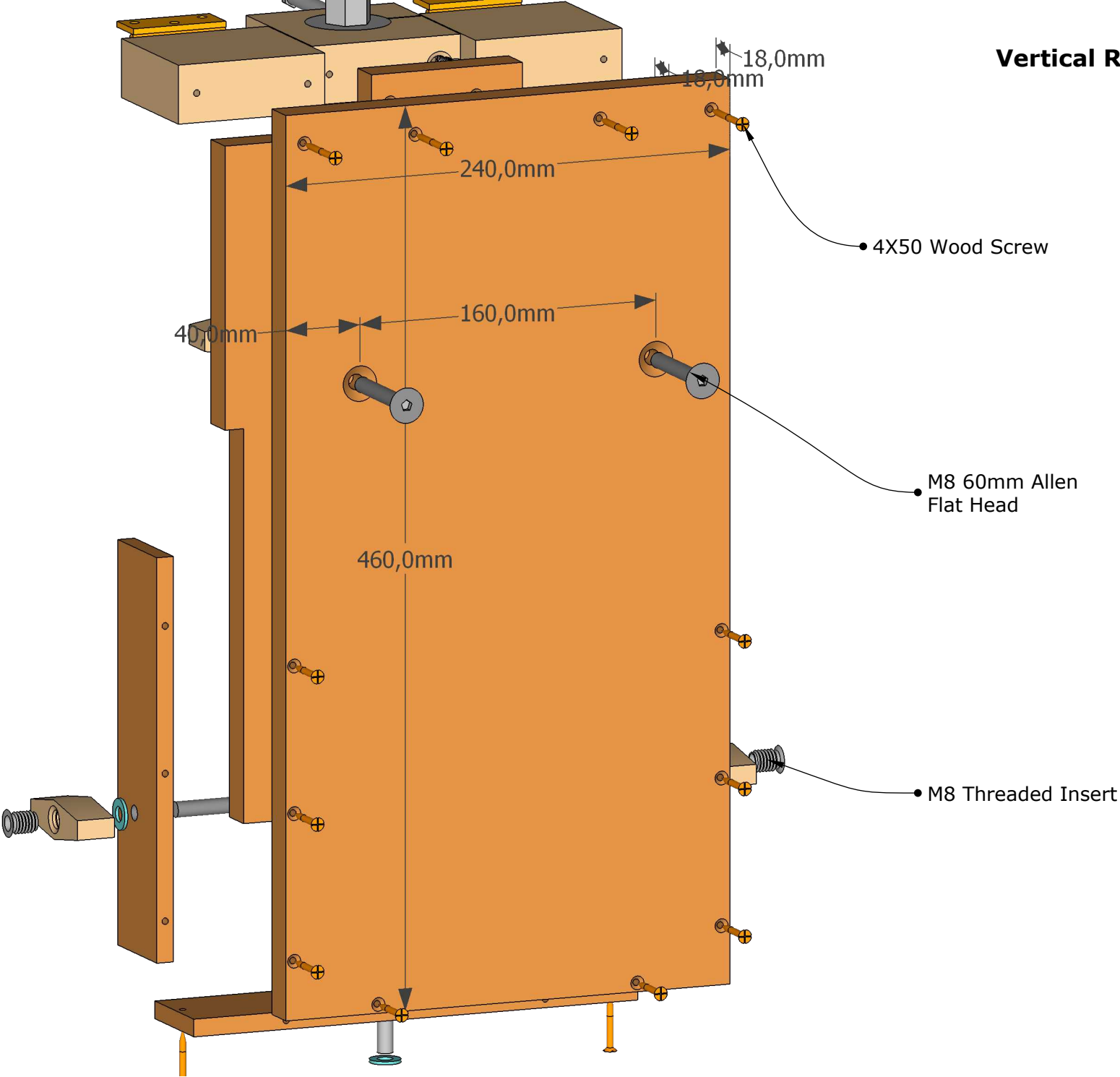




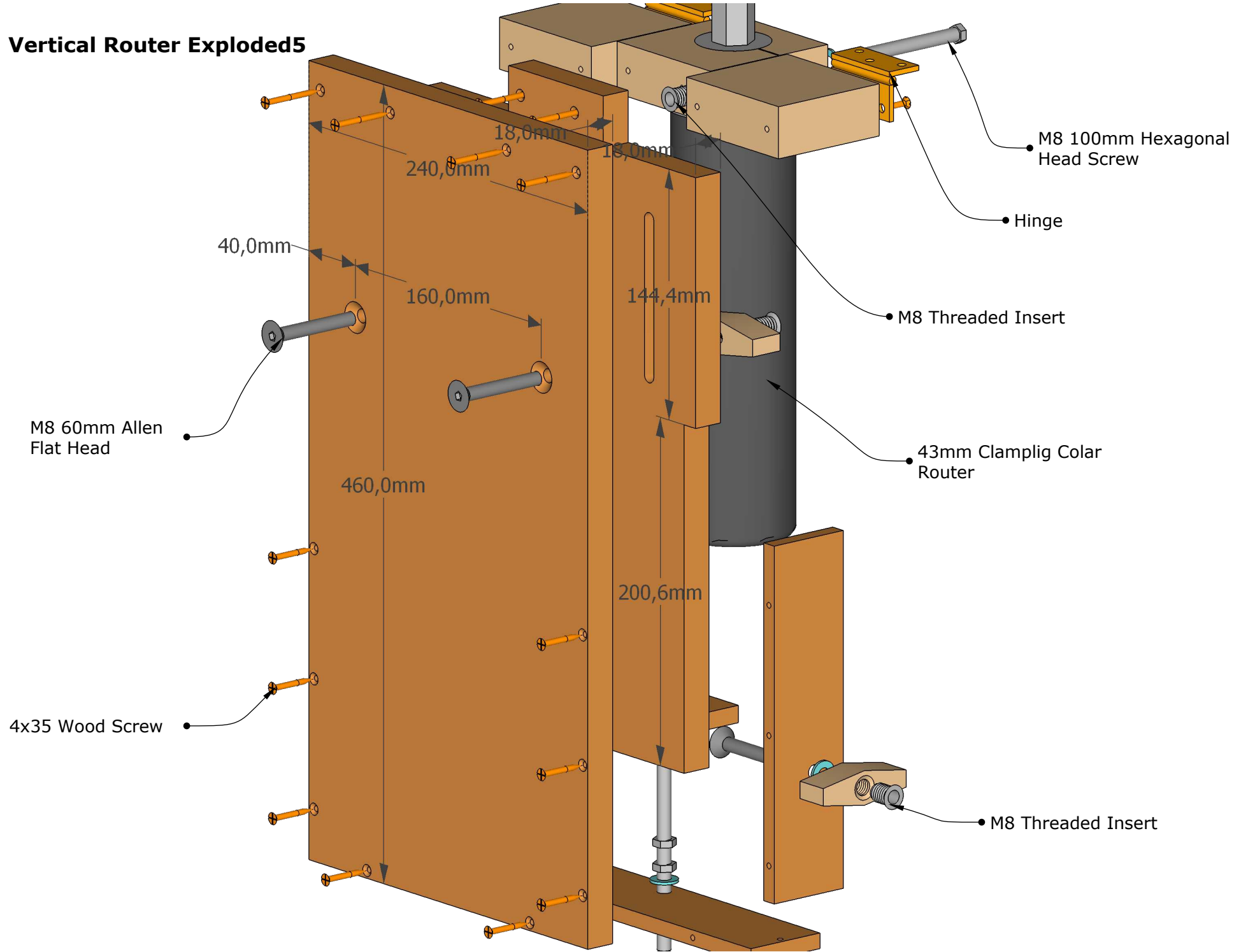
Vertical Router Exploded3



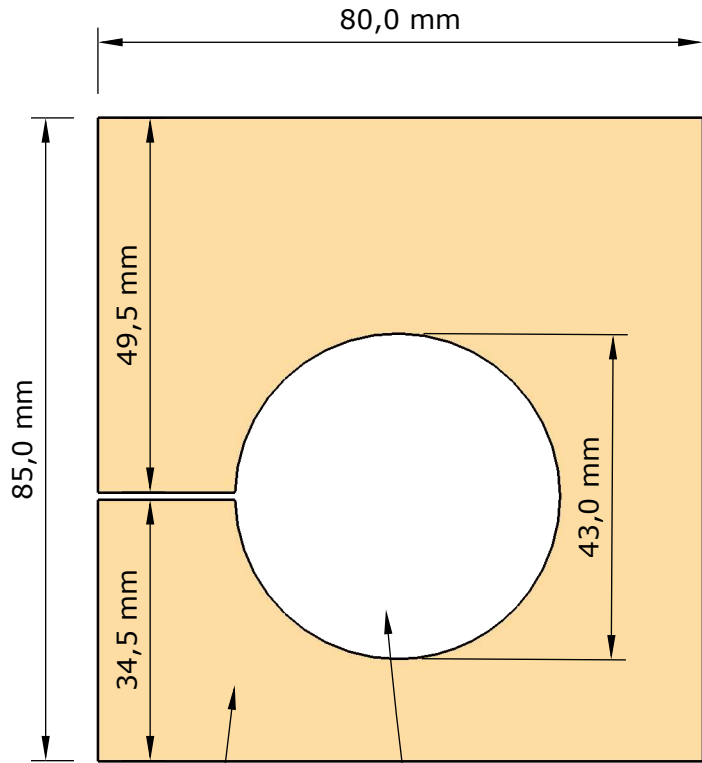
Vertical Router Exploded4



Vertical Router Exploded5

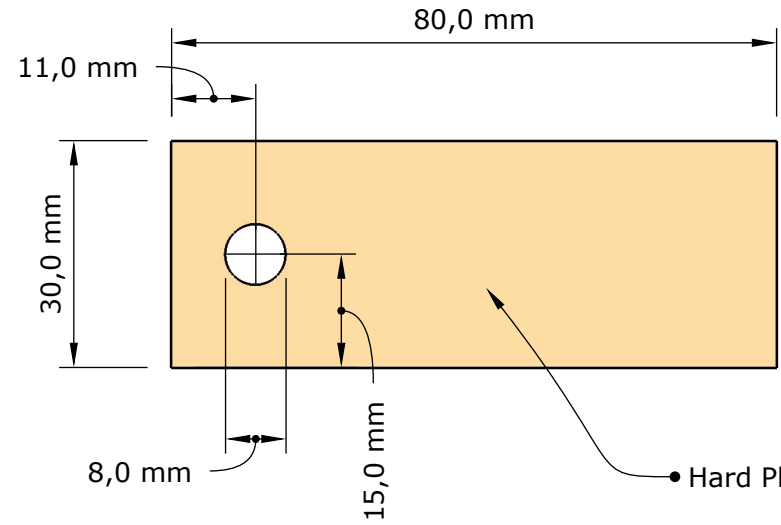


Clamplig Collar Top/ Front/ Left

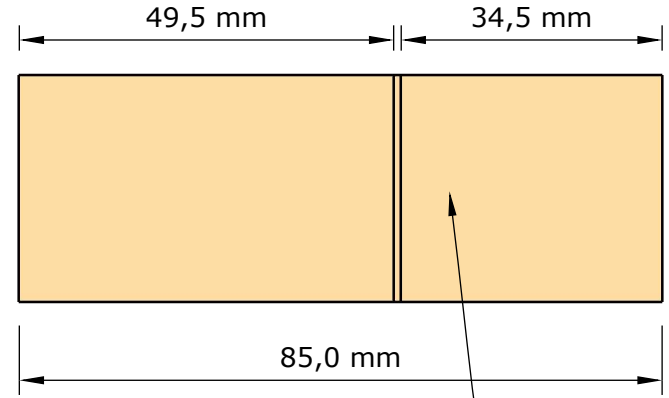


Hard Plywood

43mm Clamplig Collar, make this hole whit the exact diameter in order to avoid vibrations

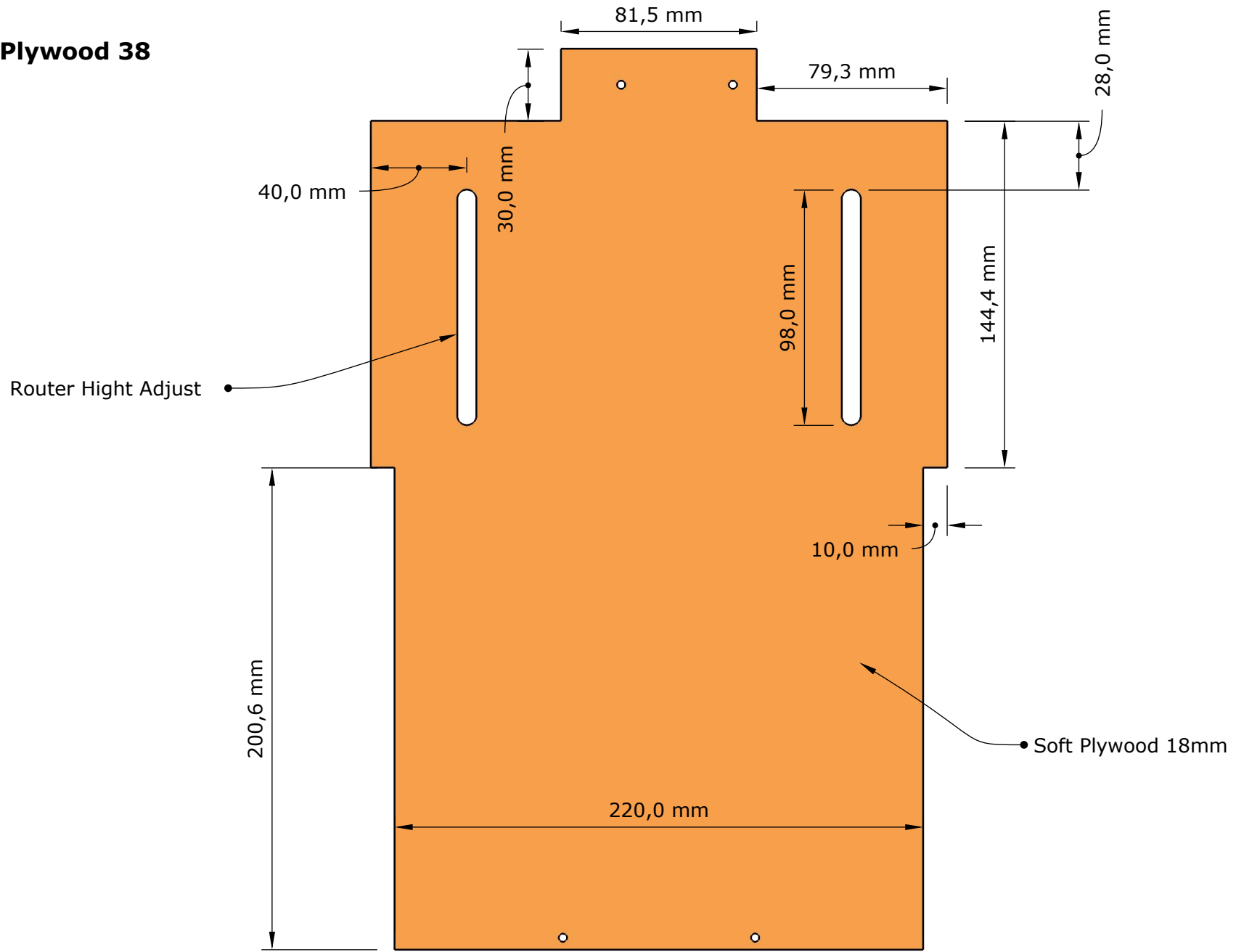


Hard Plywood

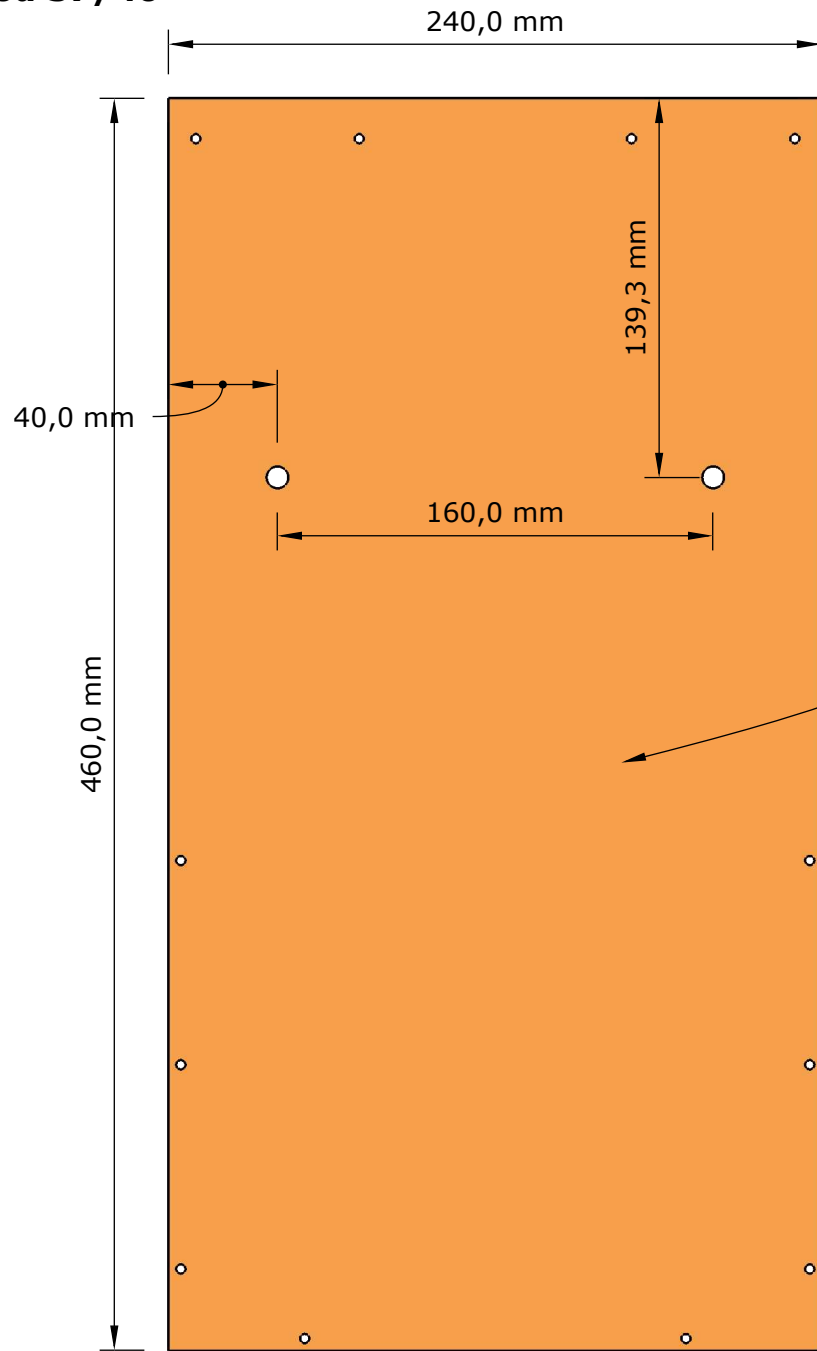


Hard Plywood

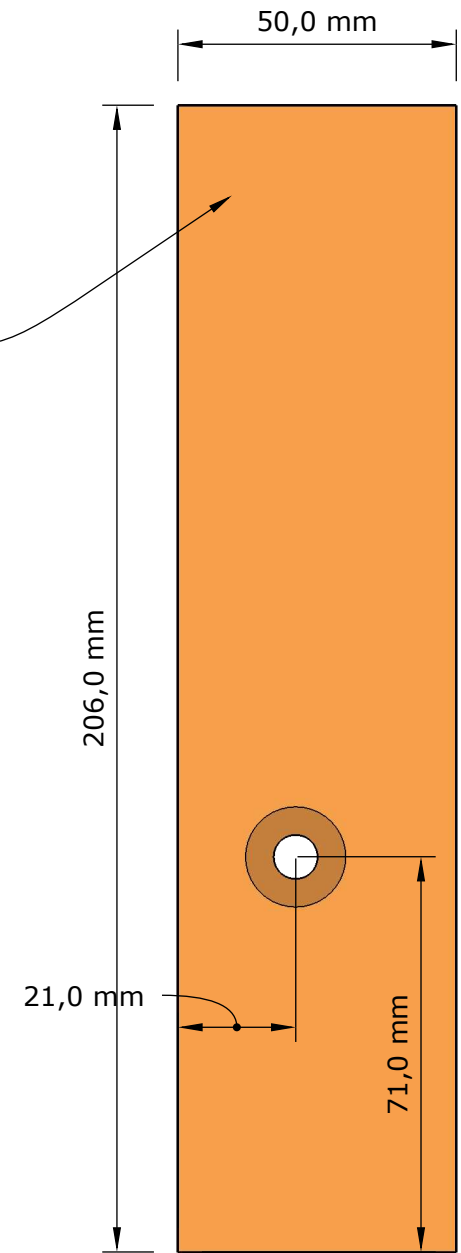
Hard Plywood 38



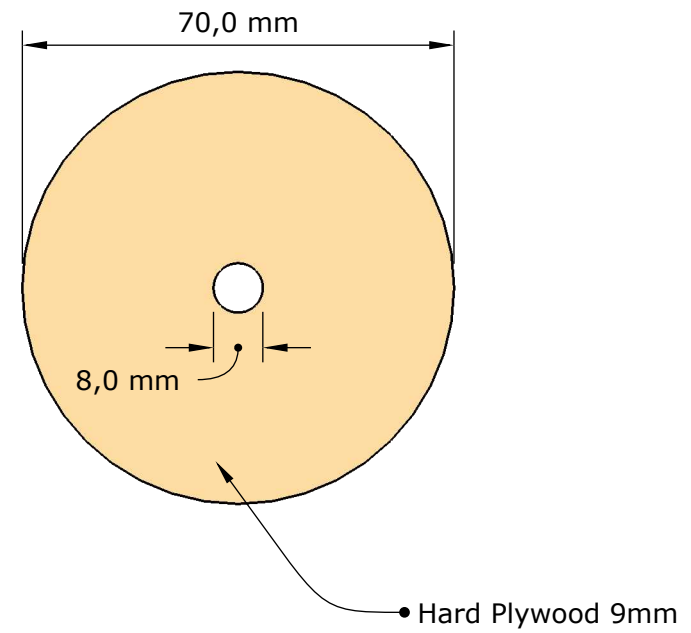
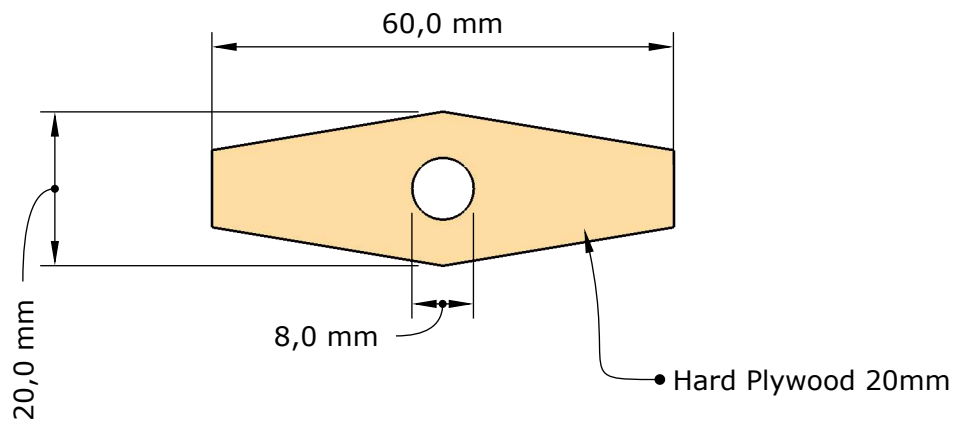
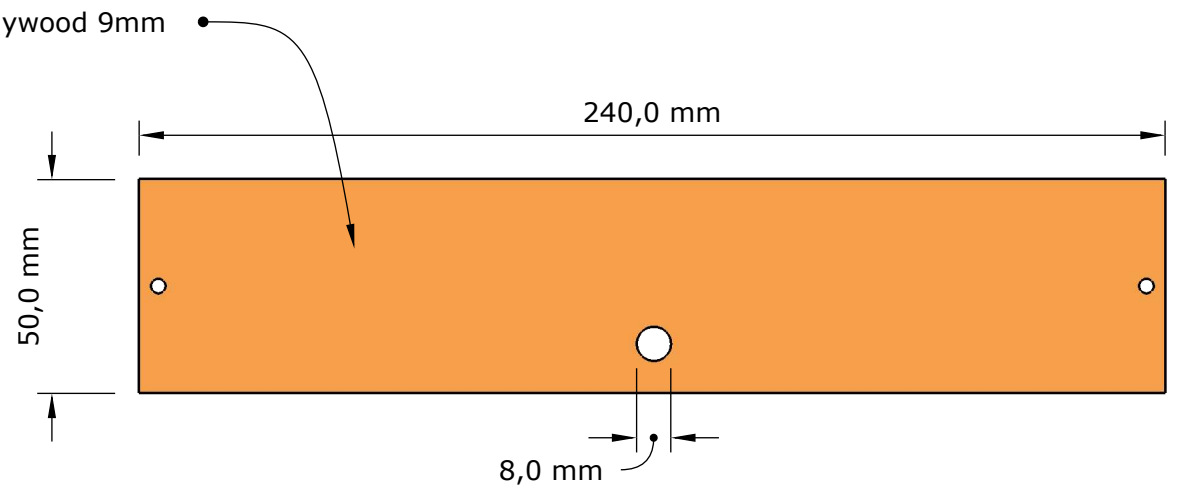
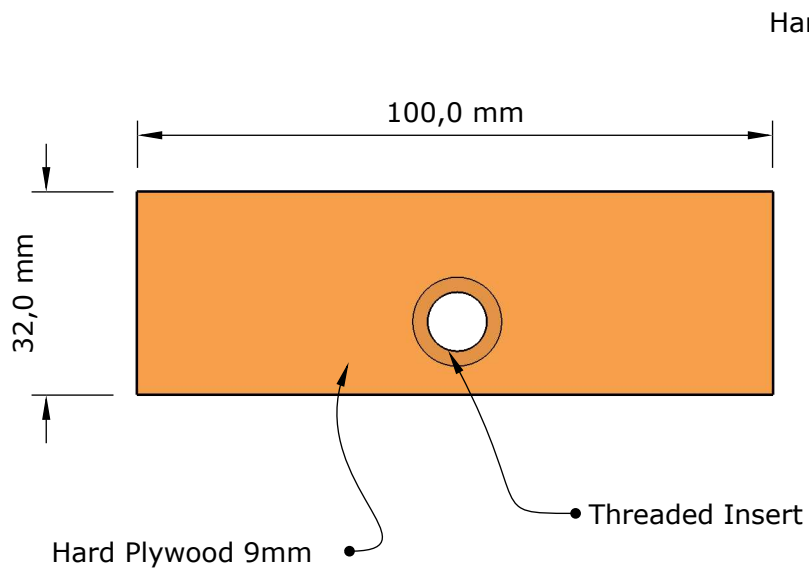
Hard Plywood 37/40



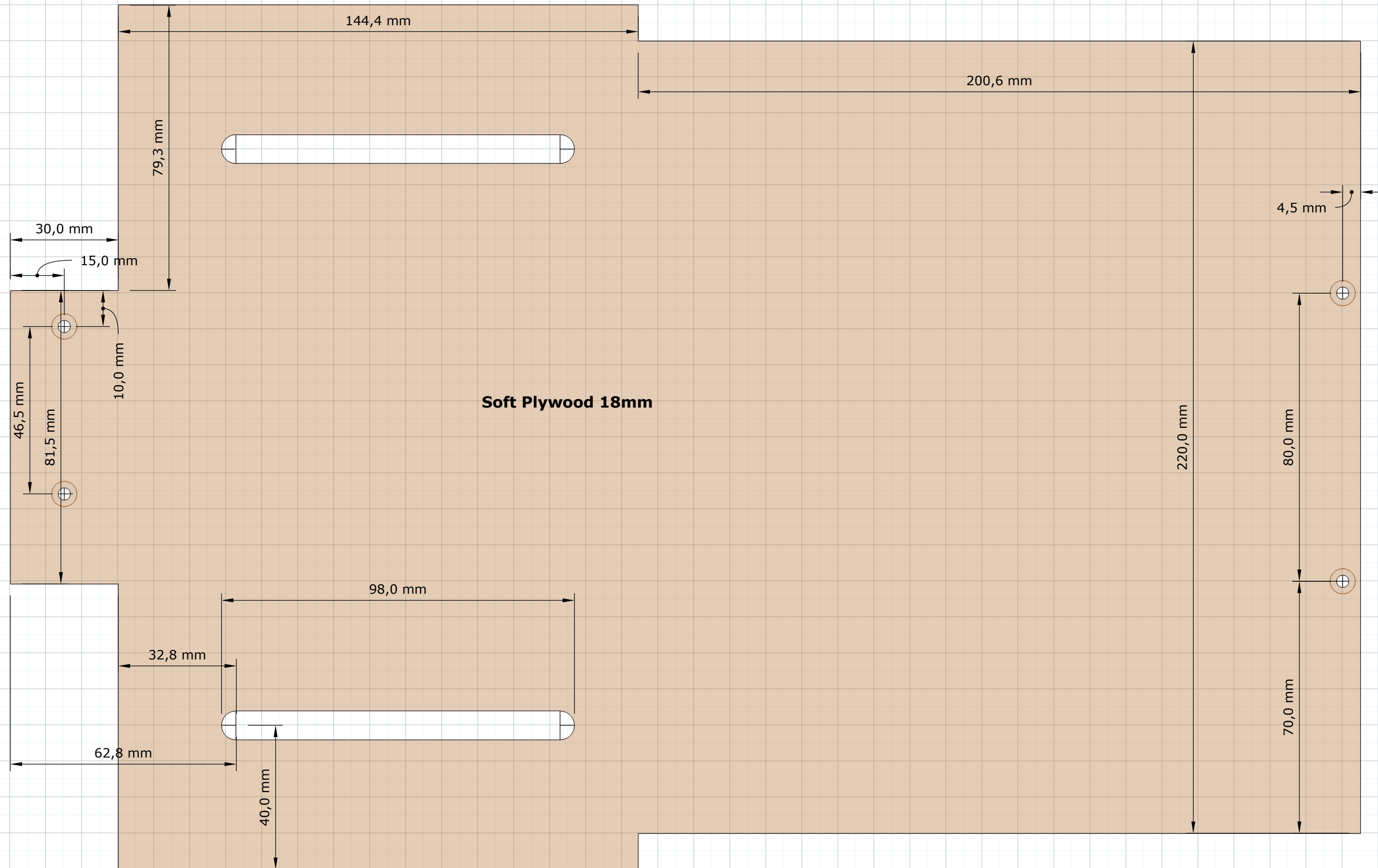
Soft Plywood 18mm



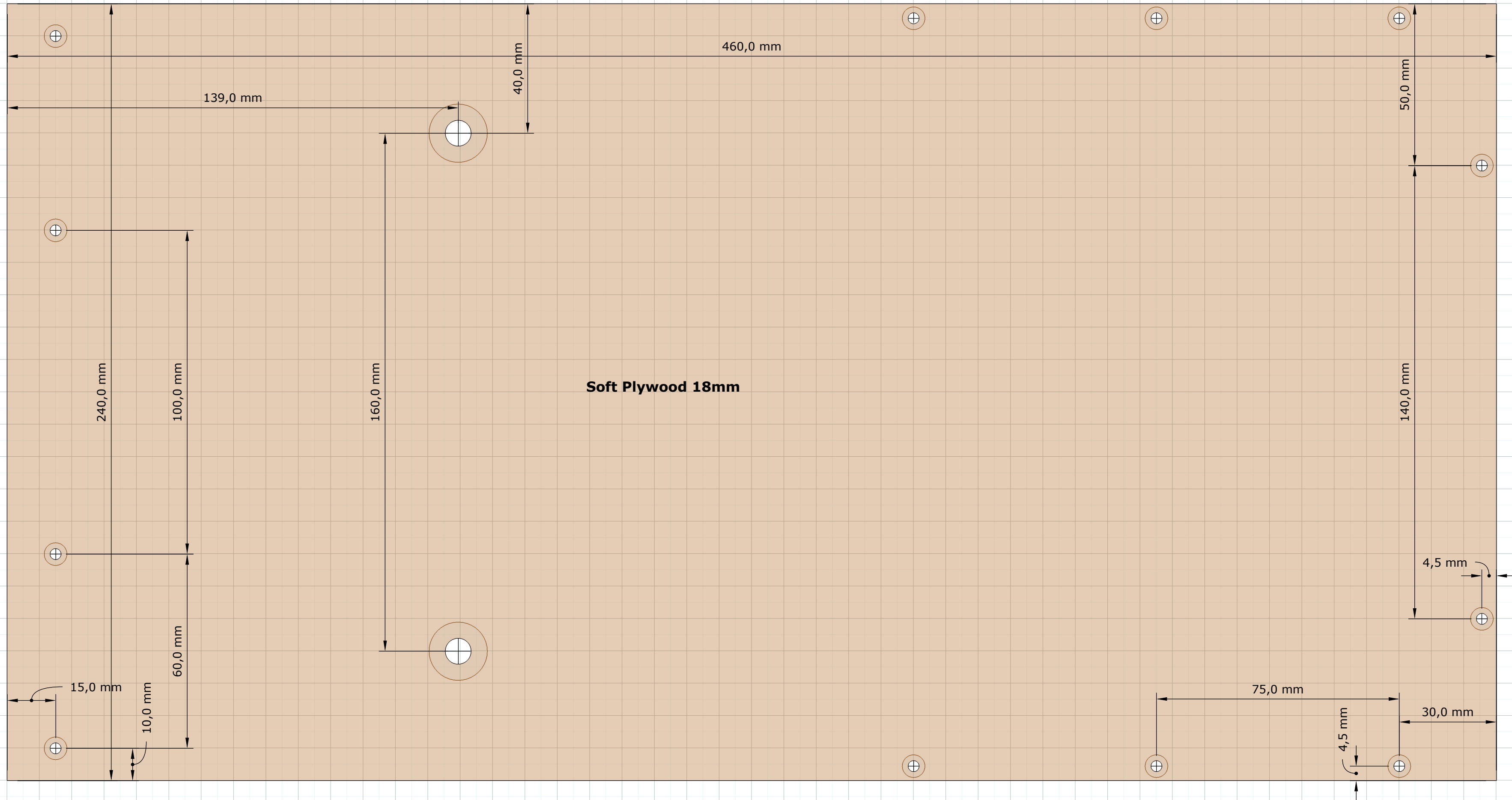
Hard Plywood 39B/39/Knob/Weel



Vertical Router Printable Template2



Vertical Router Printable Template3



Vertical Router Printable Template3

