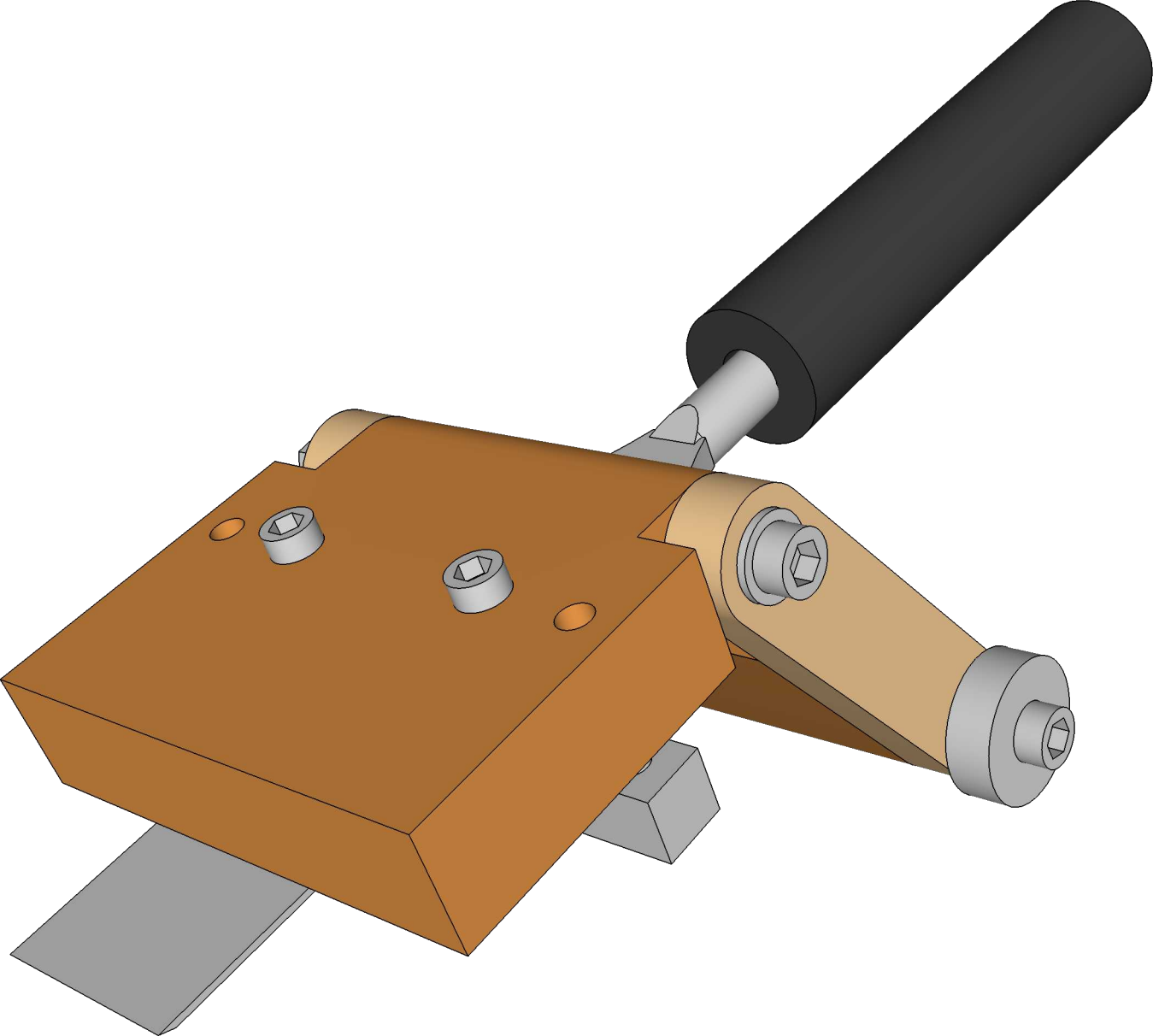
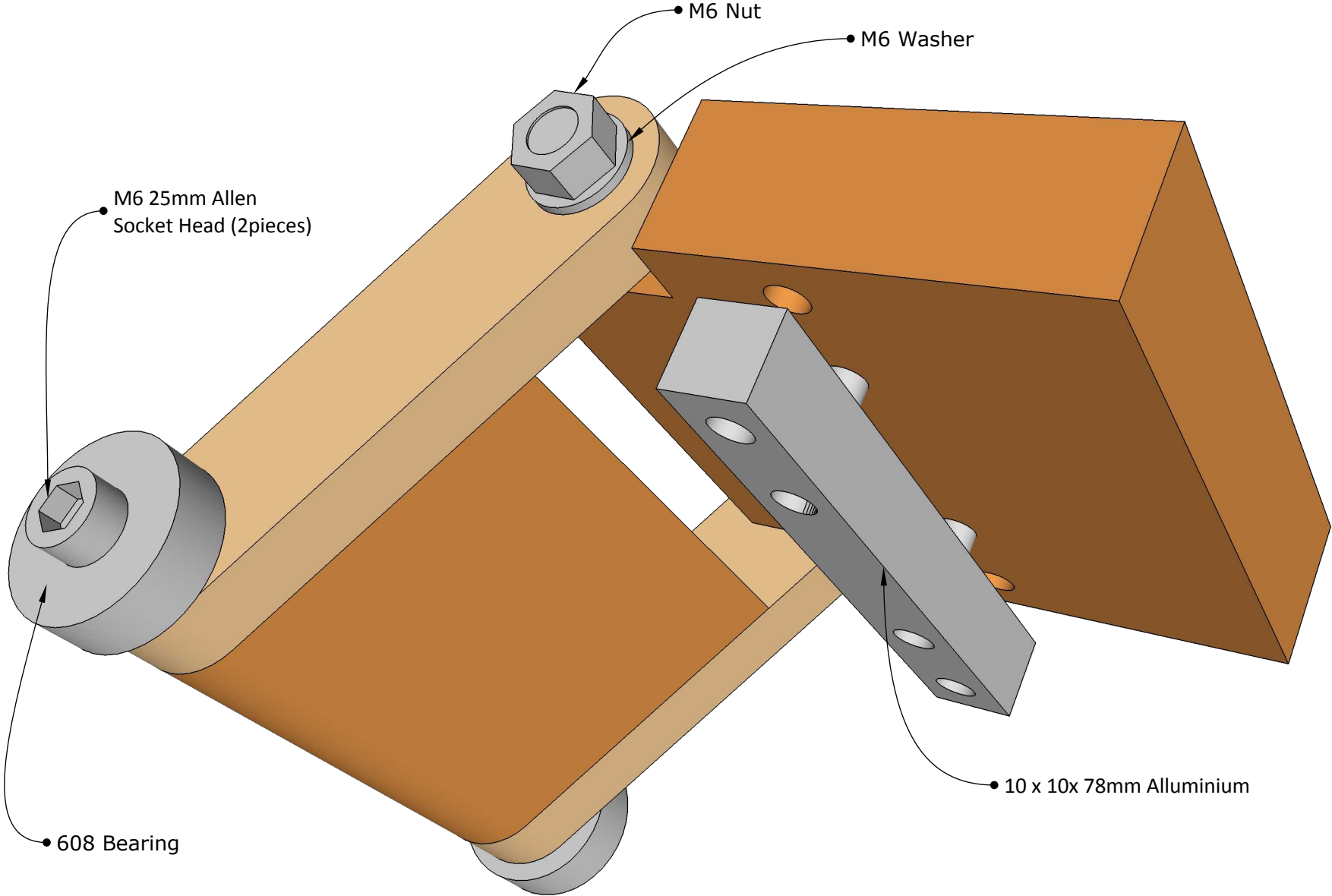


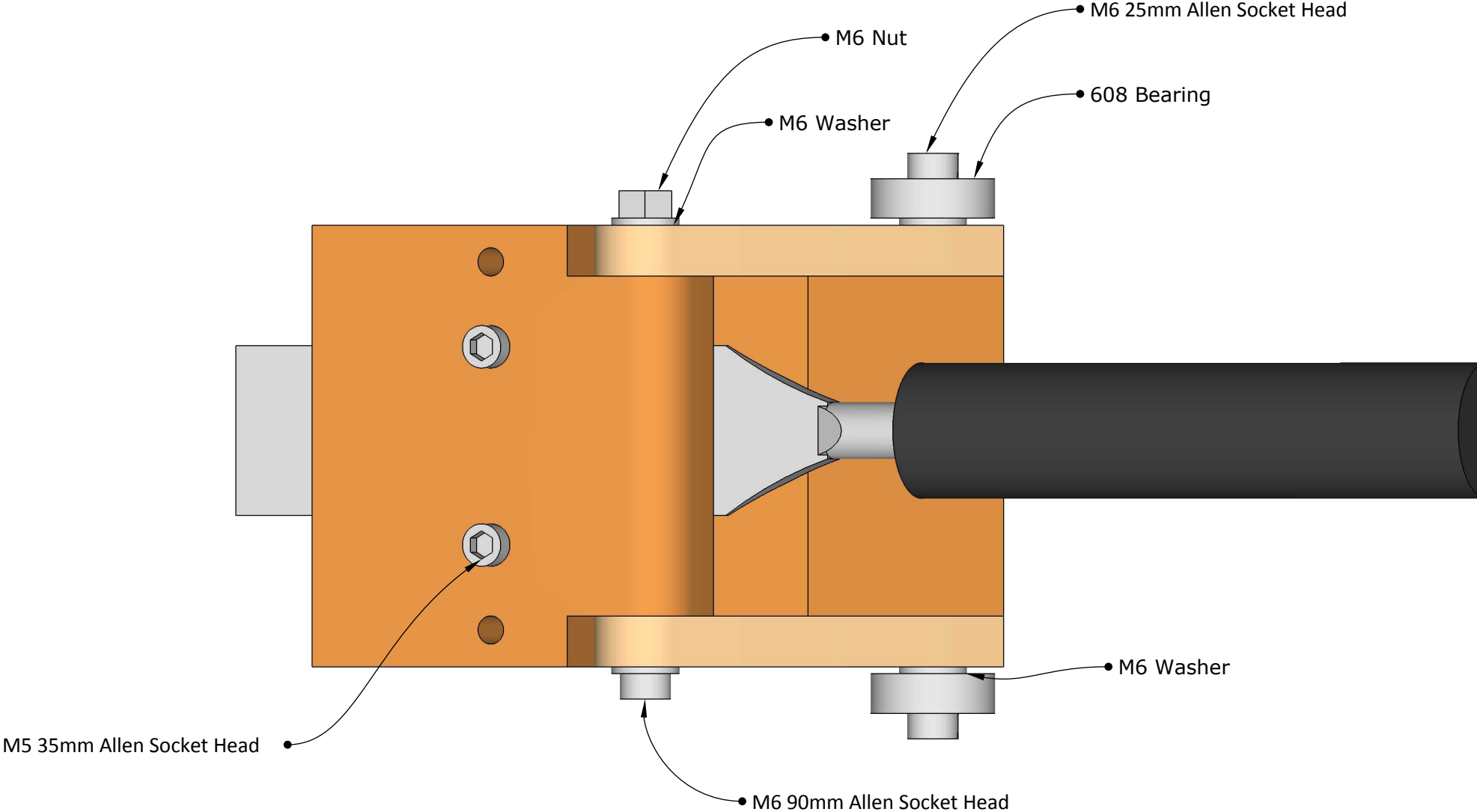
Sharpening Jig ISO



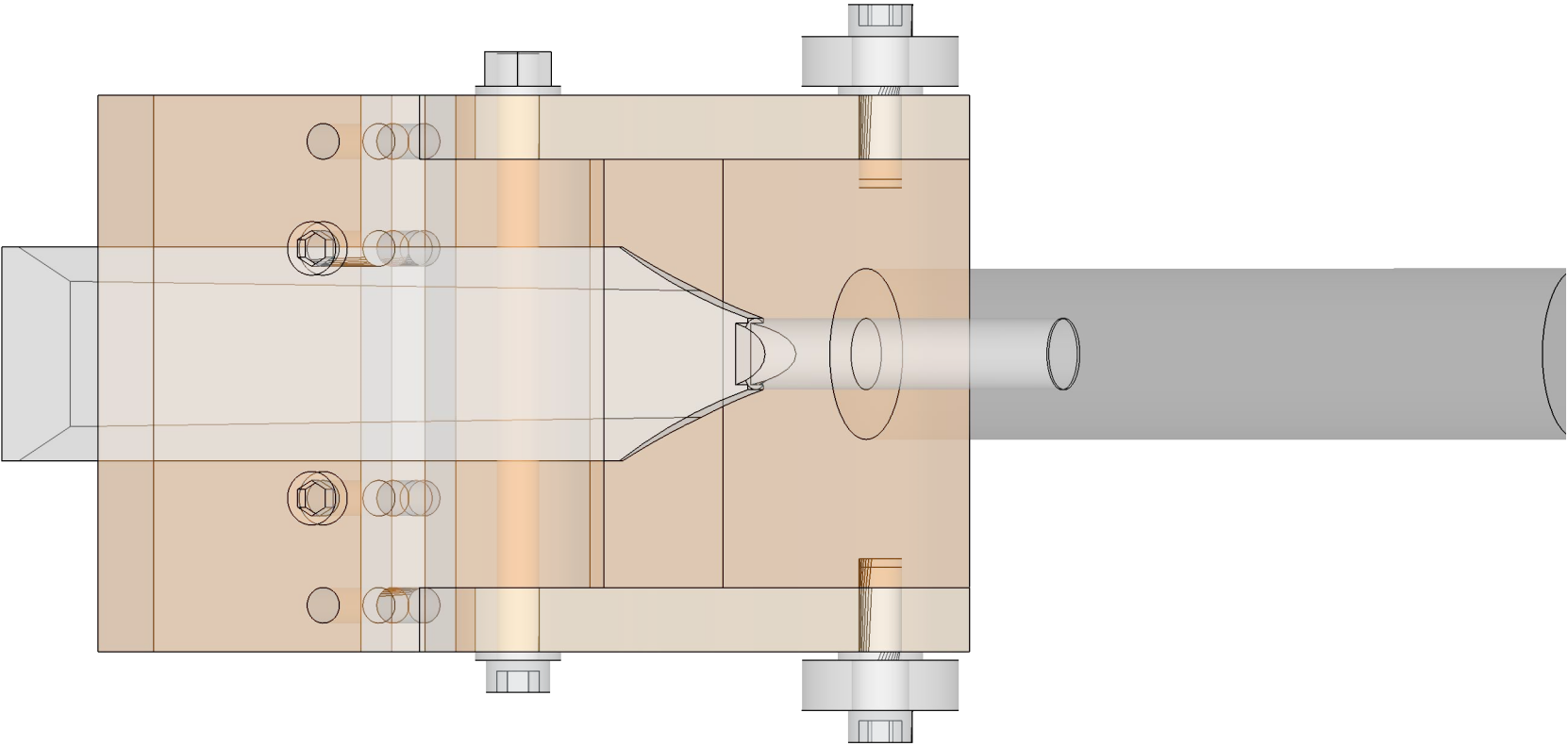
Sharpening Jig ISO2



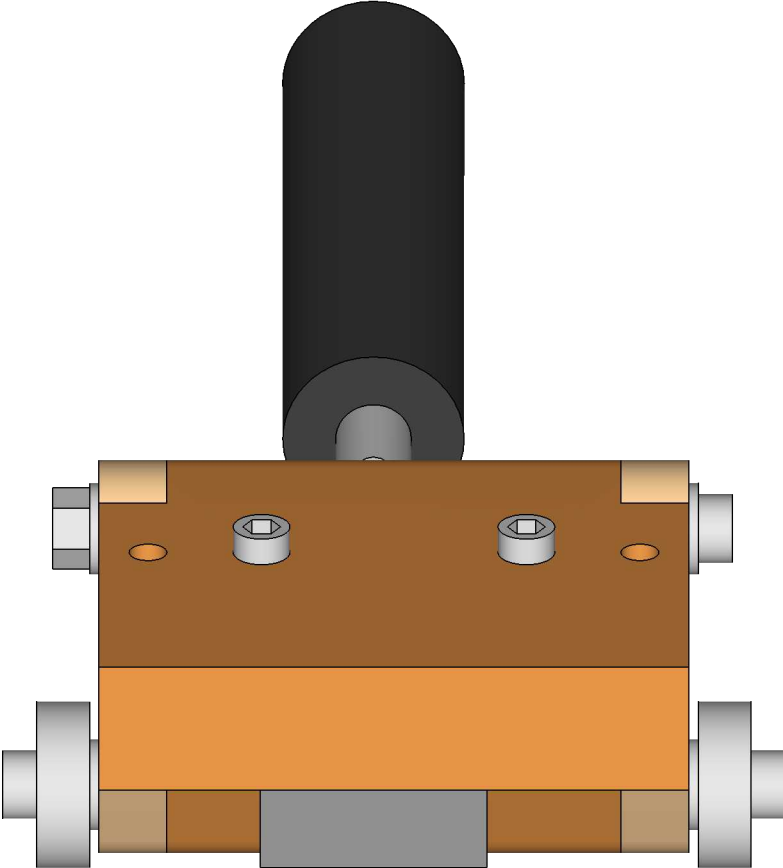
Sharpening Jig Top Full Scale



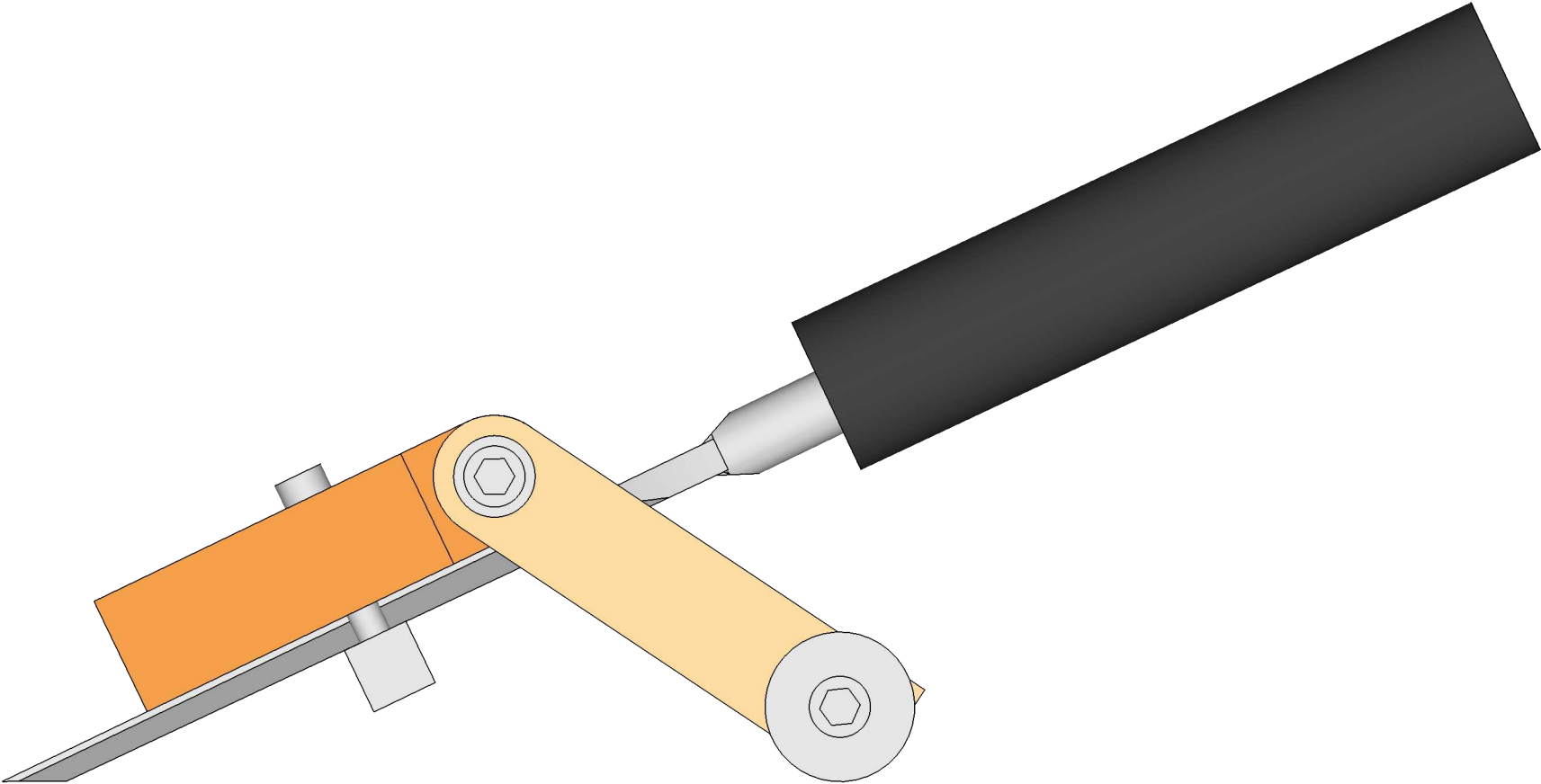
Sharpening Jig Top Full Scale X Ray



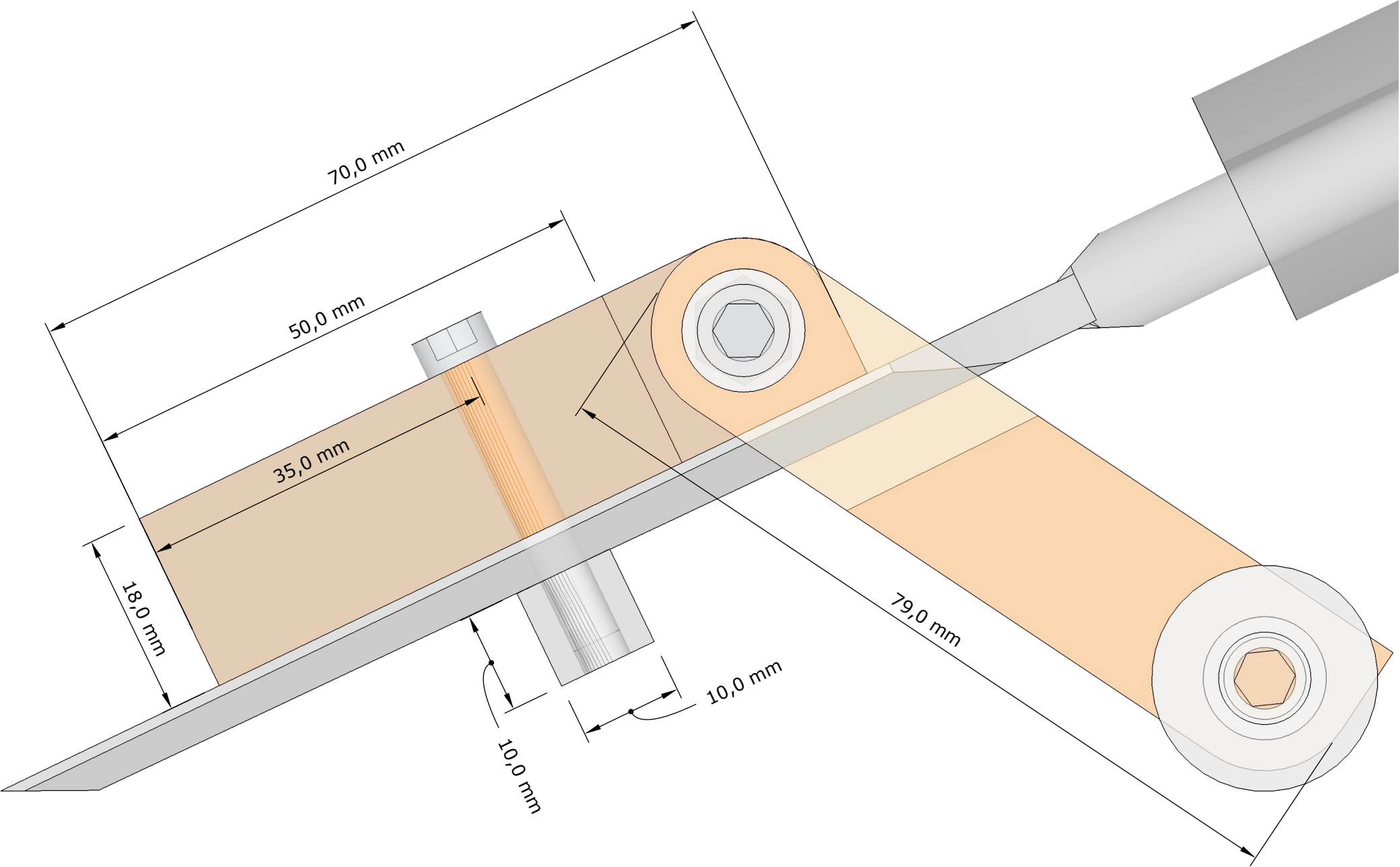
Sharpening Jig Front Full Scale



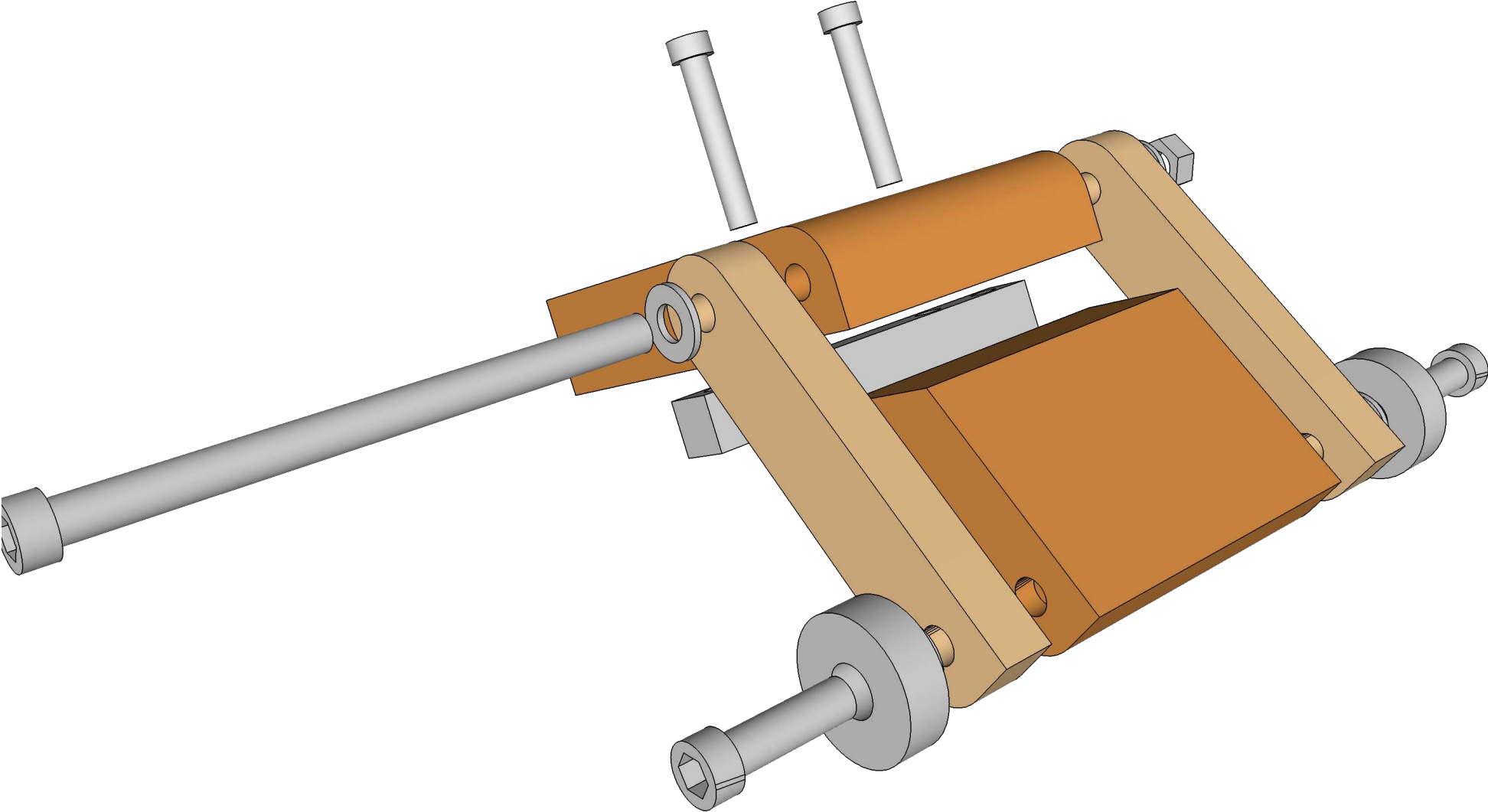
Sharpening Jig Right Full Scale



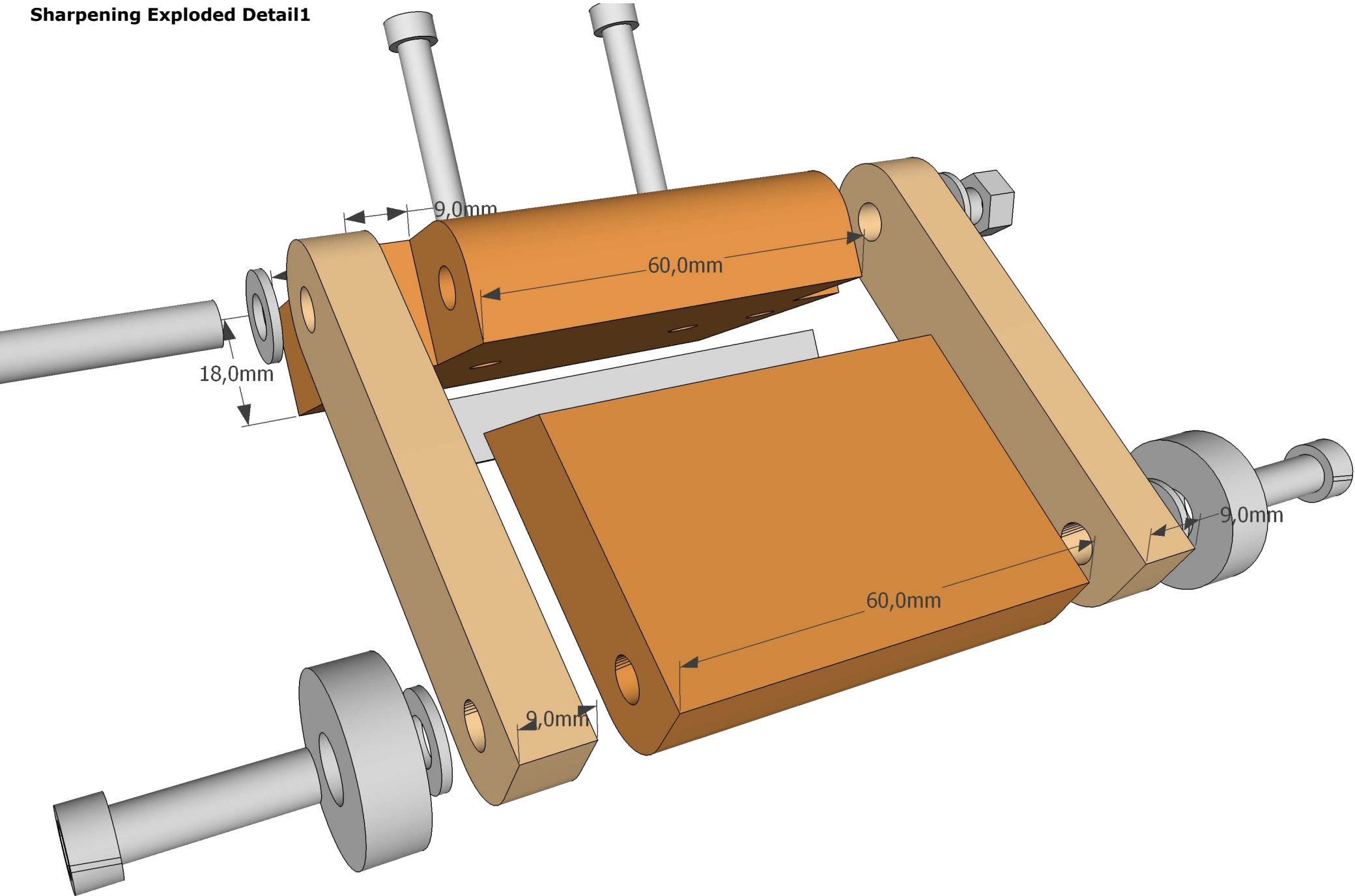
Sharpening Jig Right X Ray



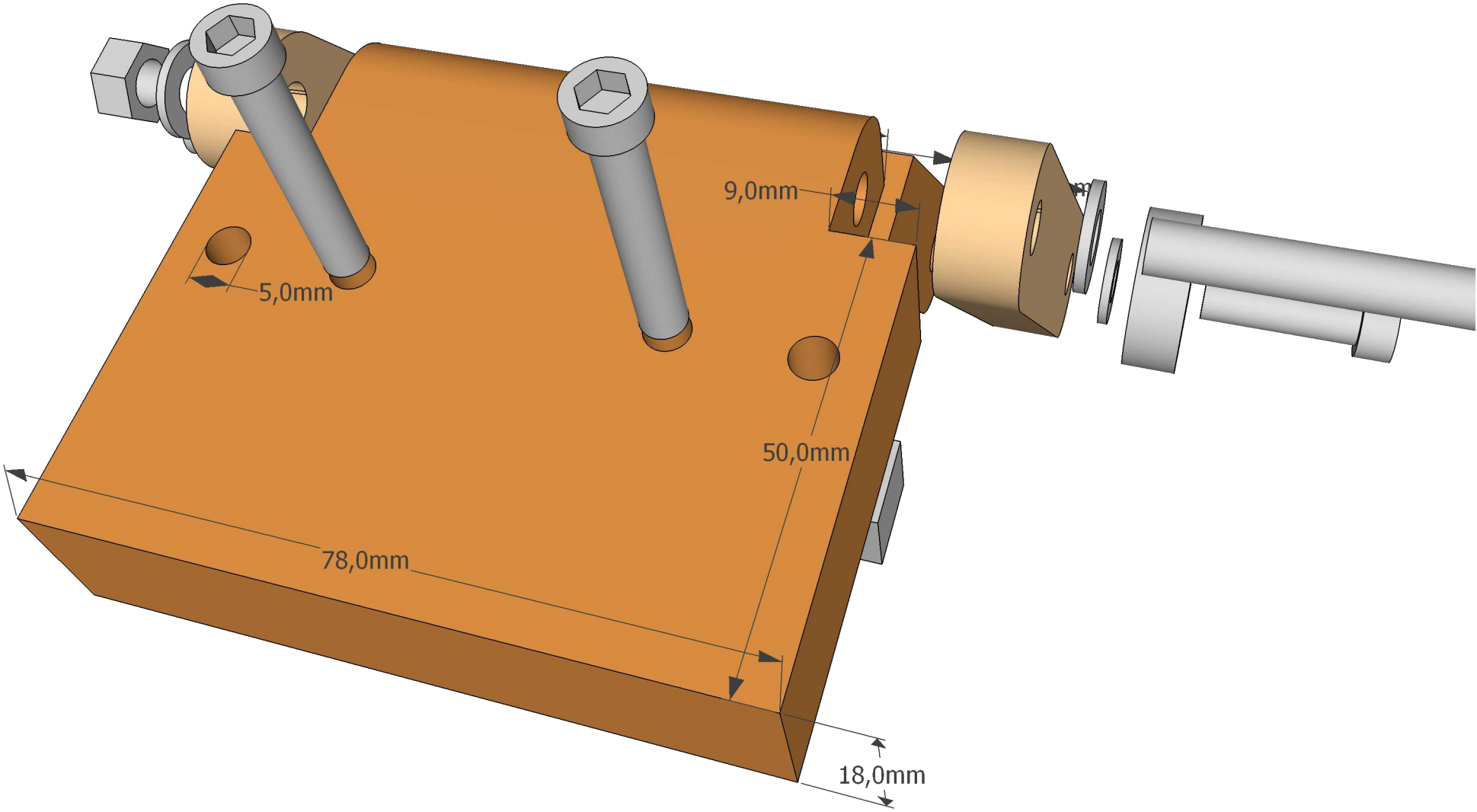
Sharpening Exploded ISO



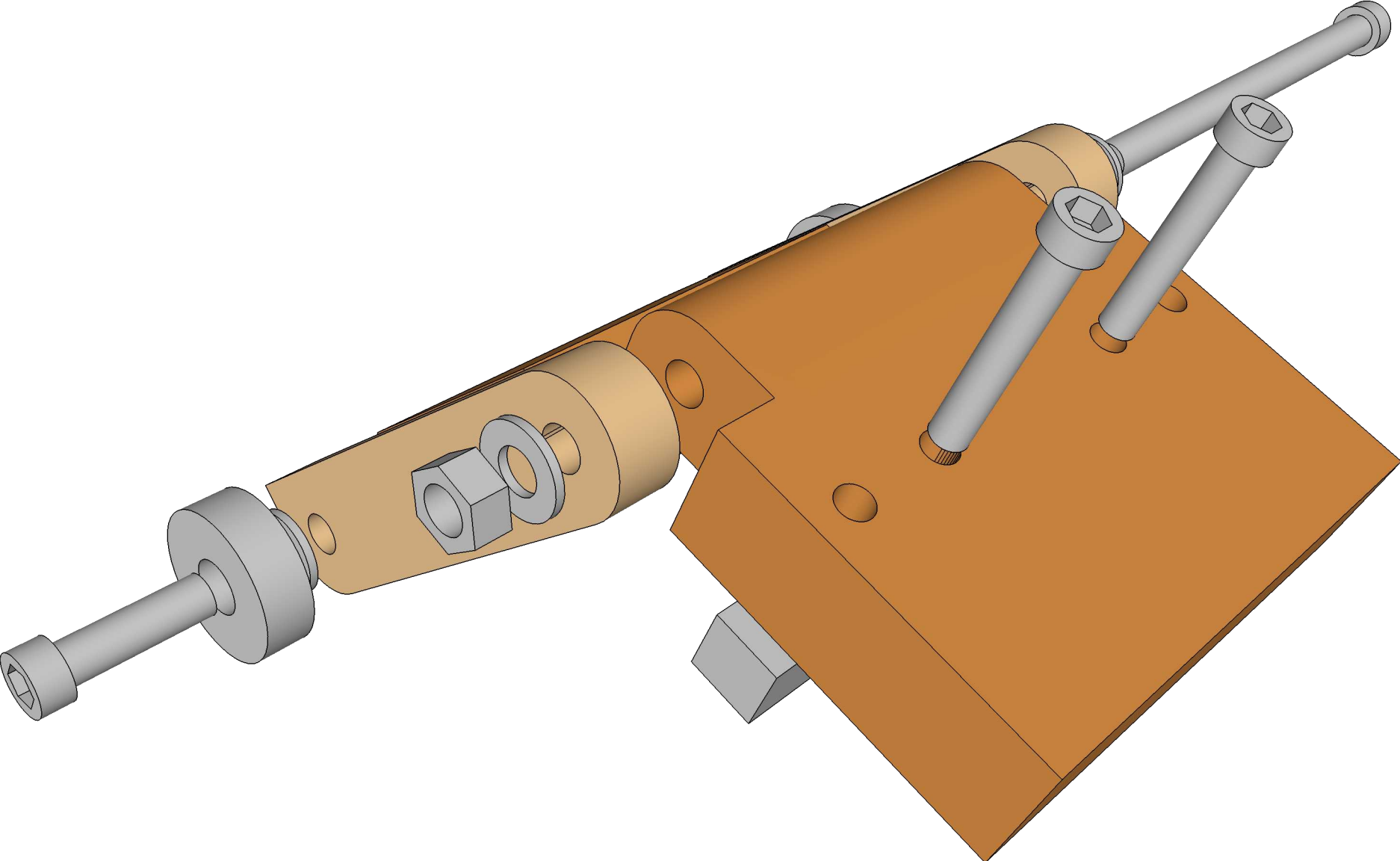
Sharpening Exploded Detail1



Sharpening Exploded Detail2



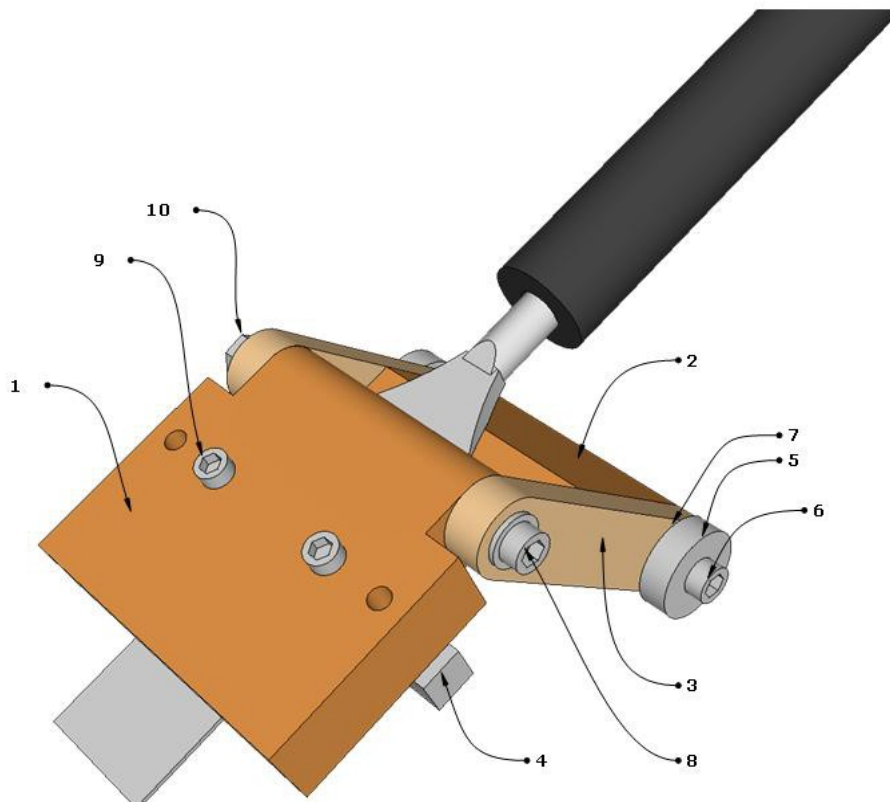
Sharpening Exploded Detail3



Sharpening Jig

Cutting List:

- | | | |
|----|-------------------------------------|--------------|
| 1- | 78 x 70 x 18mm | Hard Plywood |
| 2- | 60 x 51,9 x 18mm | Hard Plywood |
| 3- | 79 x 18 x 9mm (2pieces) | Hard Plywood |
| 4- | 10 x 10x 78mm | Alluminium |
| 5- | 608 bearing (2pieces) | |
| 6- | M6 25mm Allen Socket Head (2pieces) | |
| 7- | M6 Washers (4pieces) | |
| 8- | M6 90mm Allen Socket Head (1pieces) | |
| 9- | M5 35mm Allen Socket Head (2pieces) | |
| 10 | M6 Nut or Wing Nut (1pieces) | |



Printable Template

